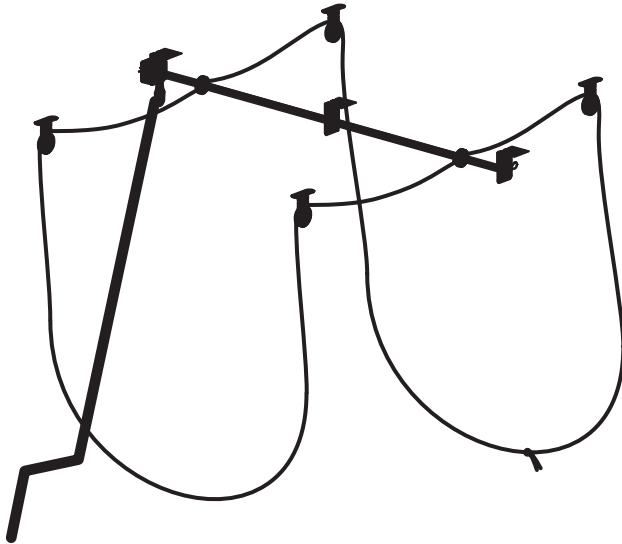
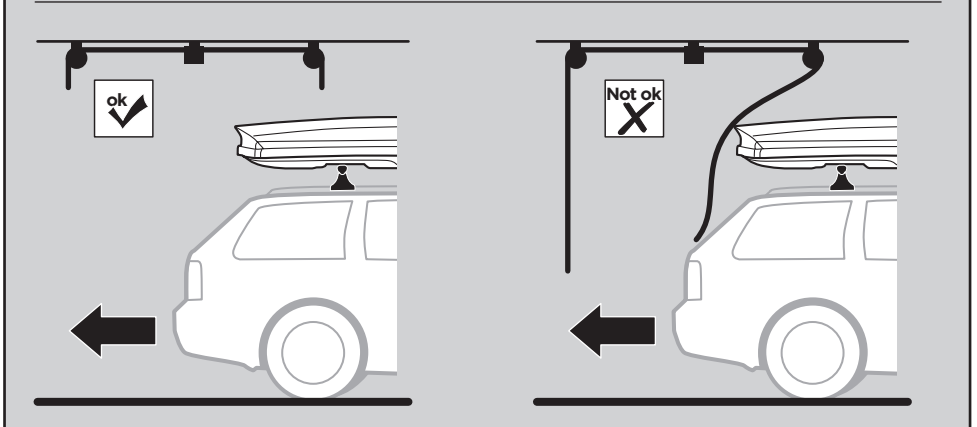
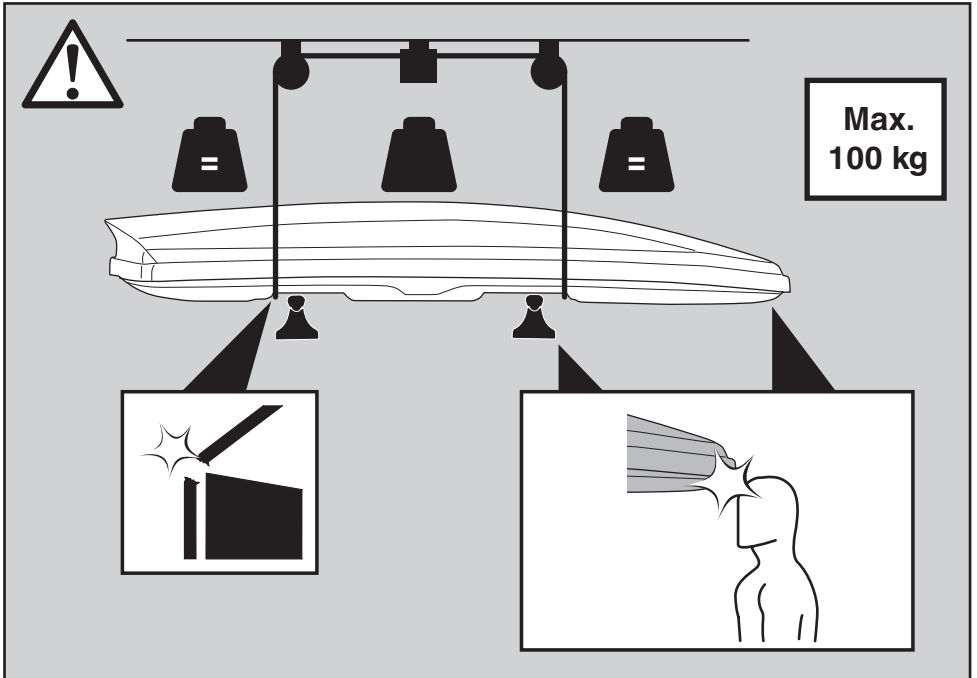
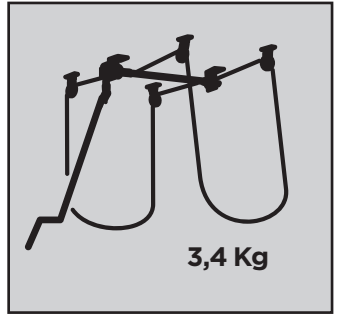
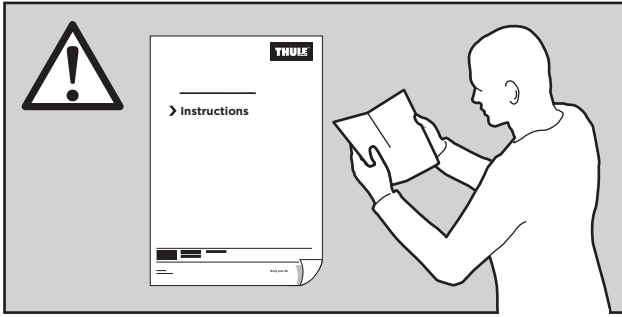
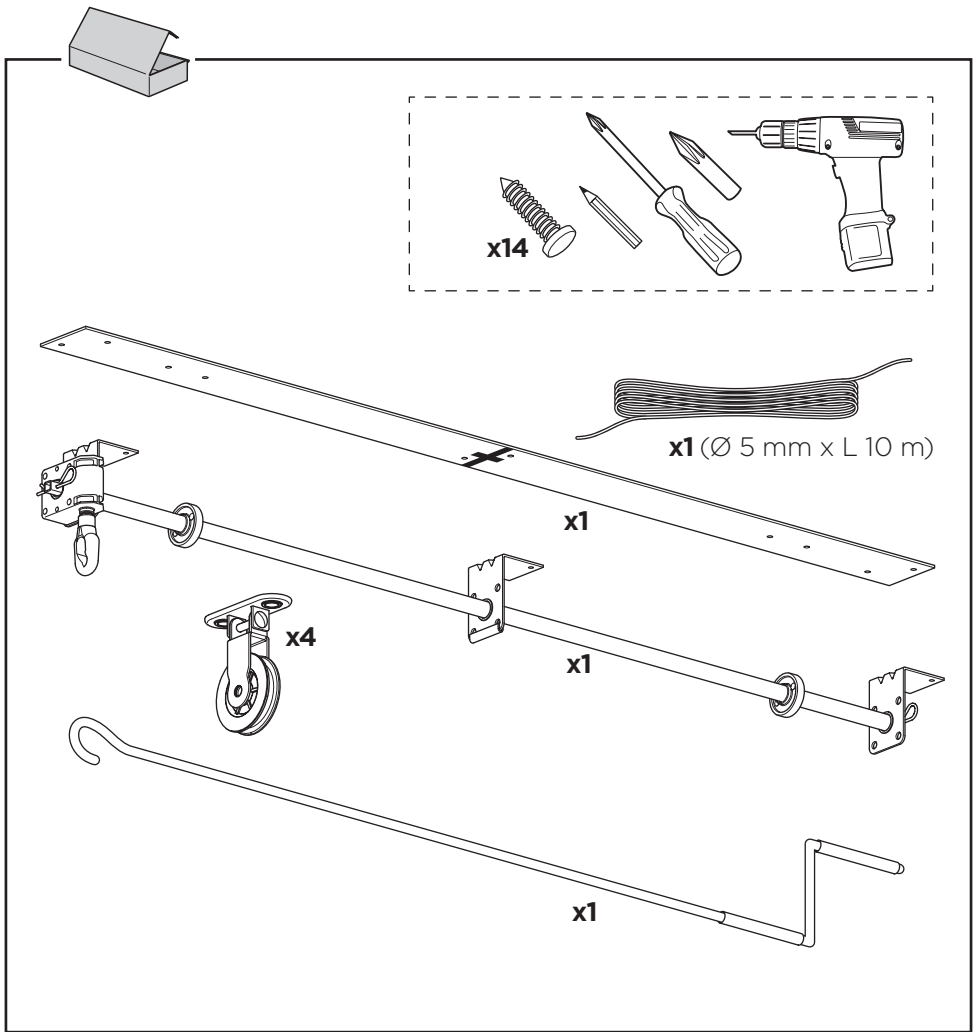


Thule MultiLift 572

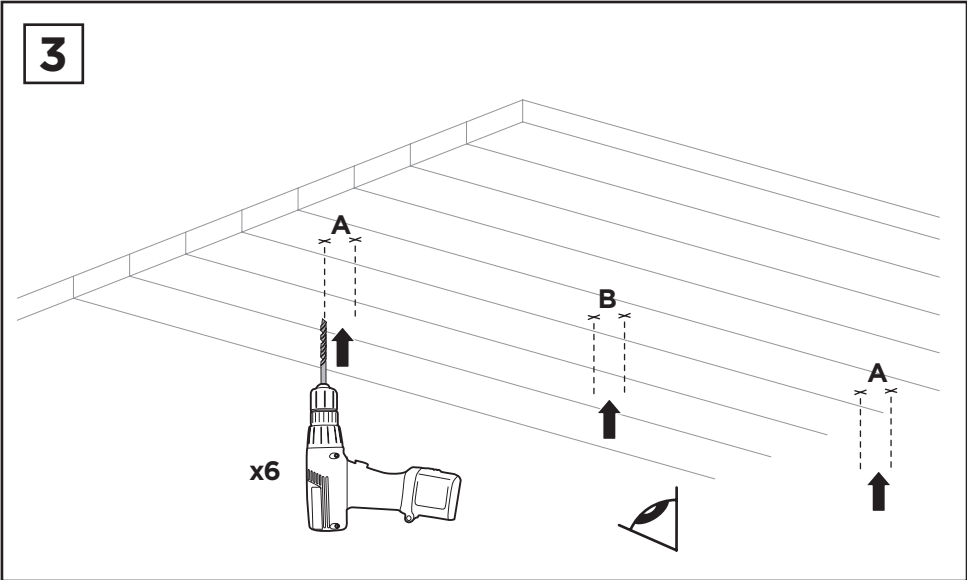
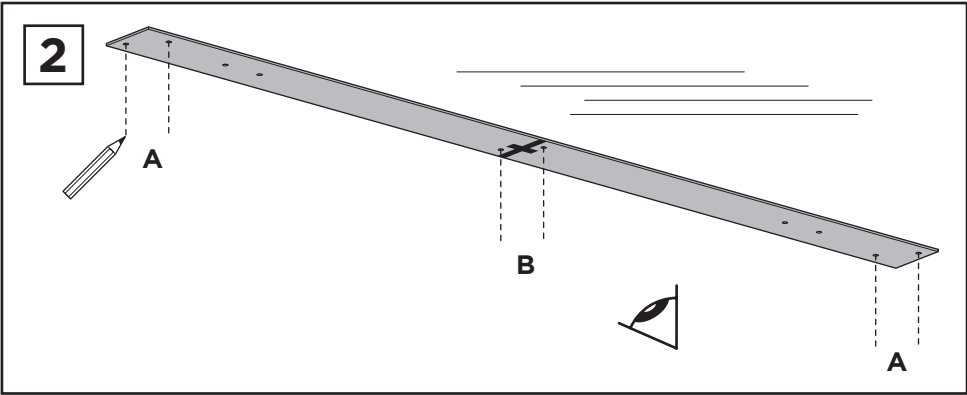
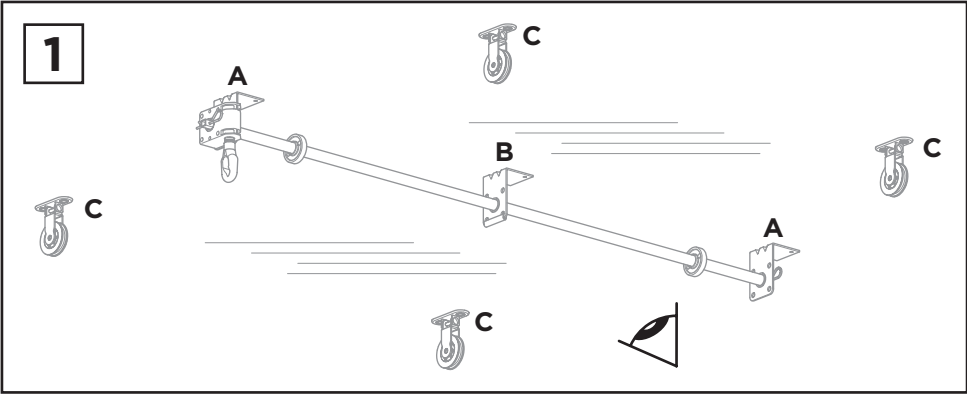
➤ Instructions



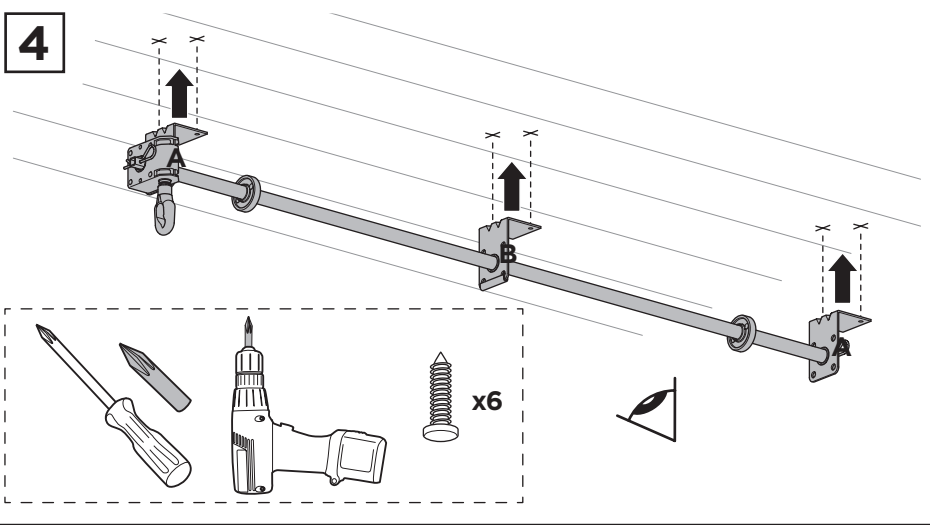




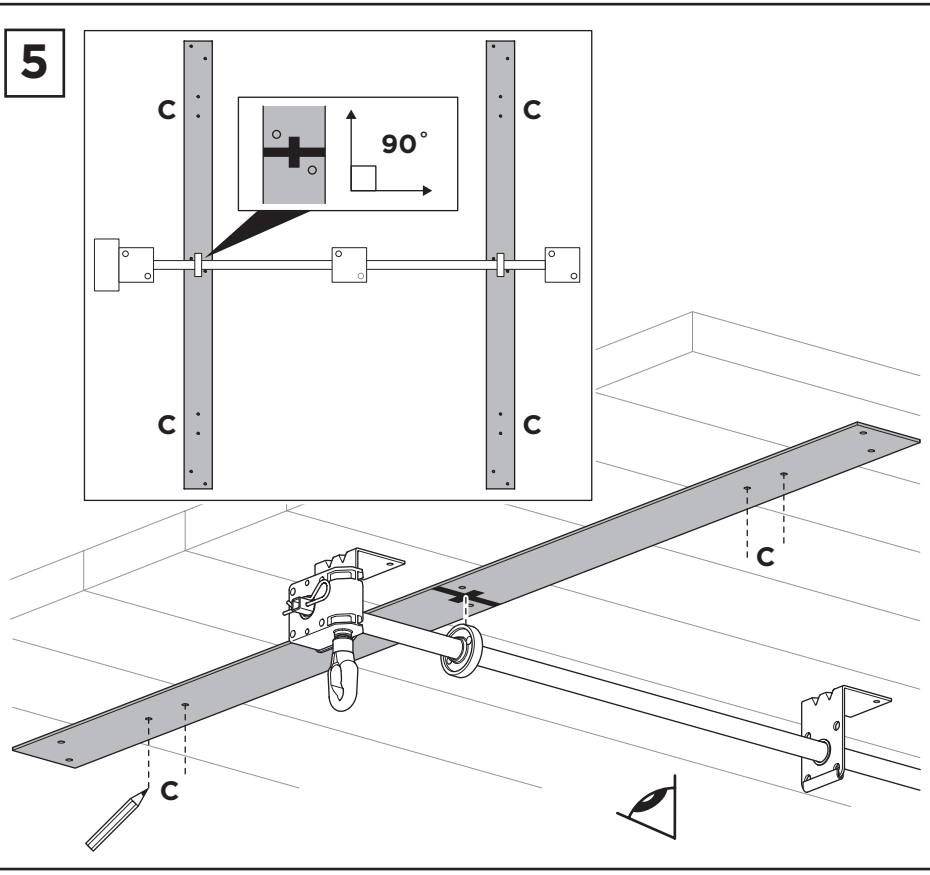
- EN 1.** The hoist must only be fitted to the ceiling by a professional.
- 2.** Before the hoist is fitted, the ceiling material must be checked to ensure that it is suitable and strong enough to support the hoist.



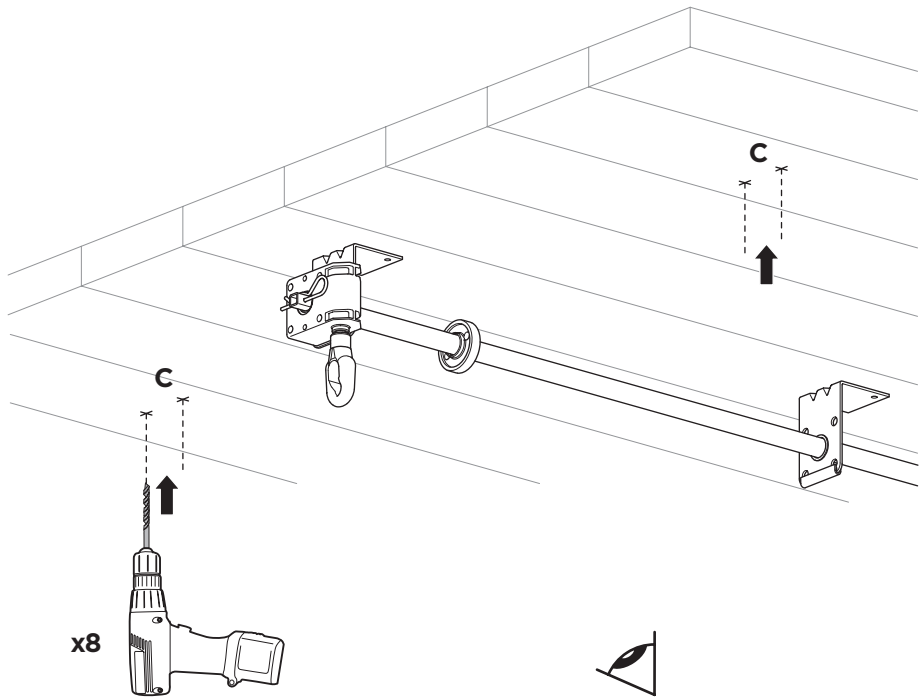
4



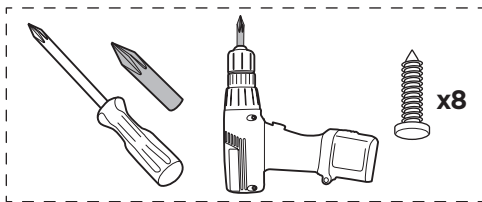
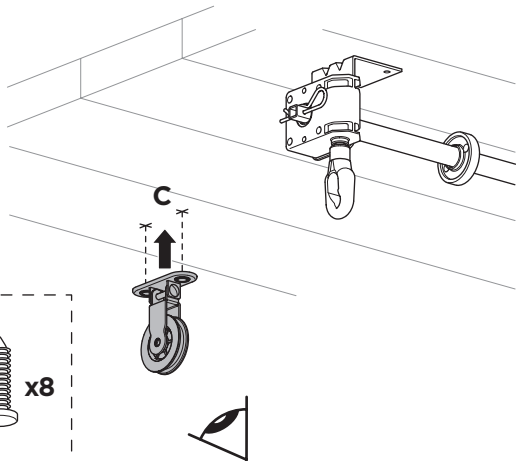
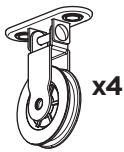
5



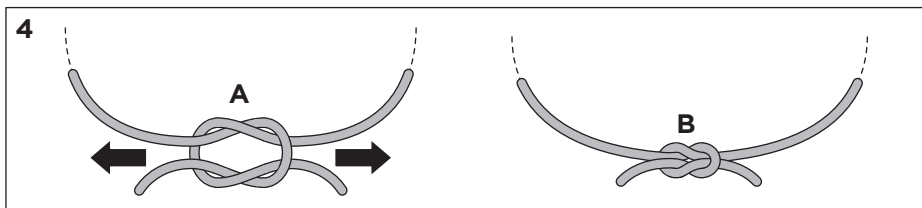
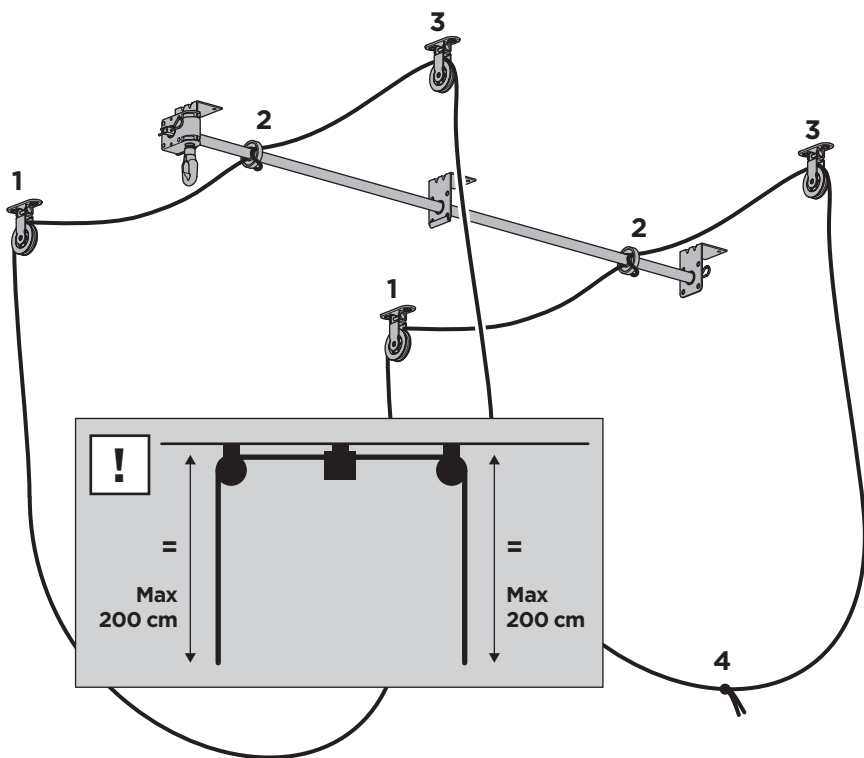
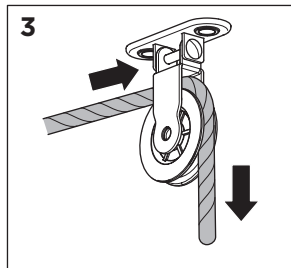
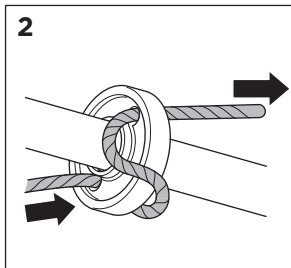
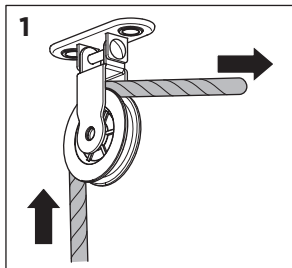
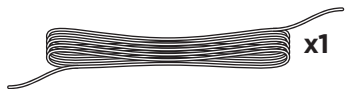
6



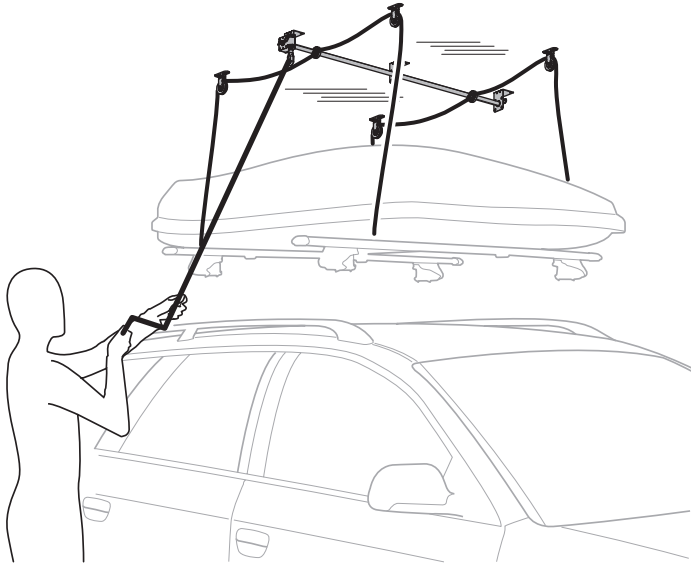
7



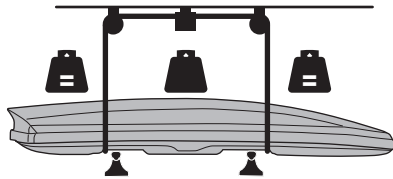
8



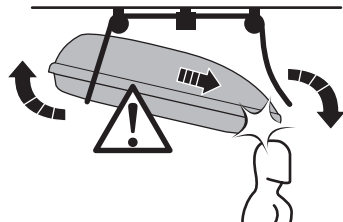
i



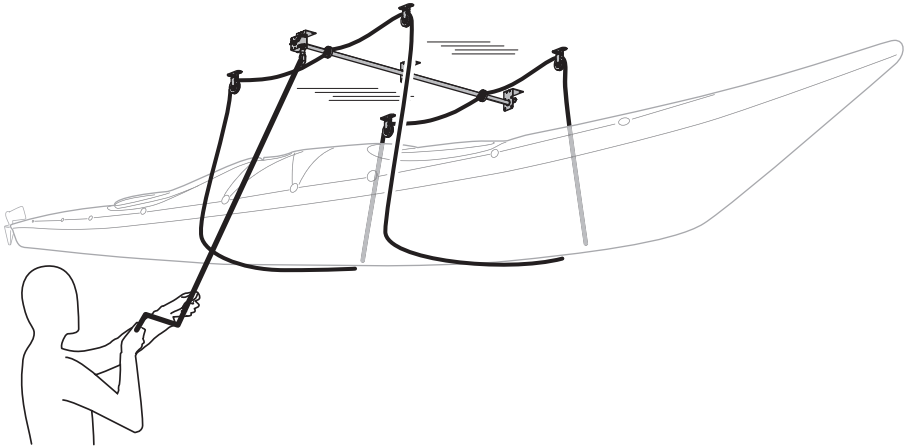
ok ✓



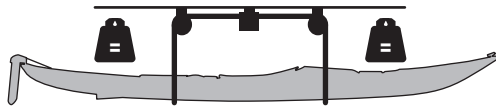
Not ok ✗



i



ok
✓



Not ok
✗

