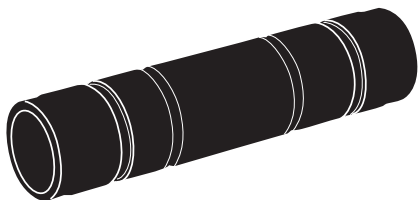


THULE[®]
SWEDEN

› Instructions

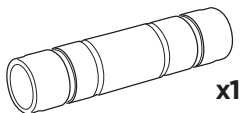
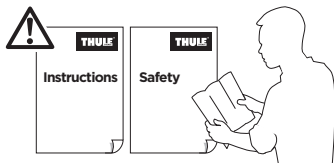
Thule Thru-axle Adapter
Ø20x110mm
568100



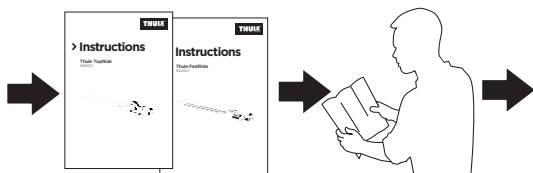
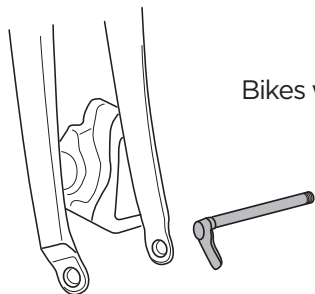
Thule TopRide



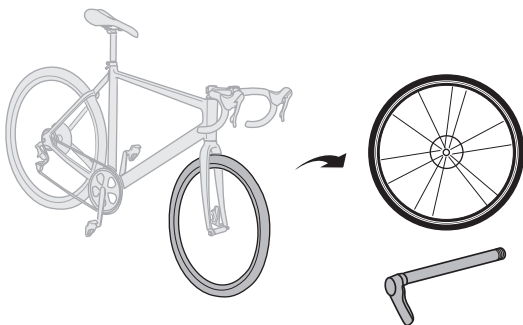
Thule FastRide



i For Thule FastRide and Thule TopRide
564001, 564005, 568001, 568005

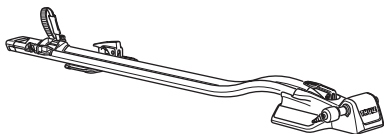


1



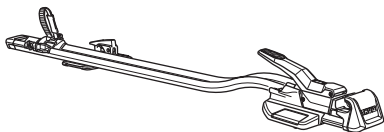
i

For Thule FastRide
564001, 564005



2-4

For Thule TopRide
568001, 568005



5-7

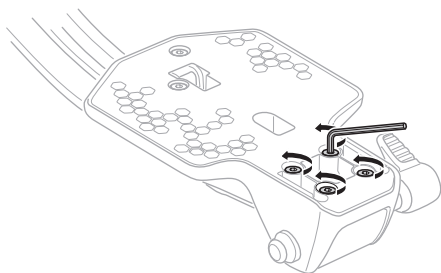
2



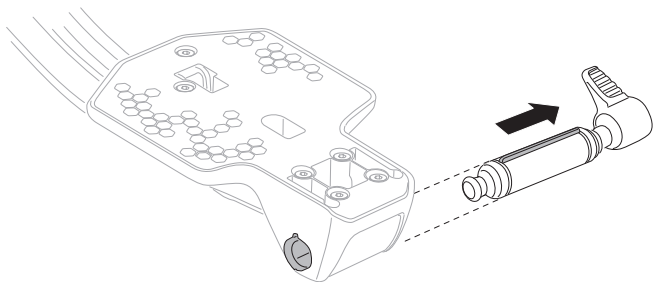
Thule FastRide



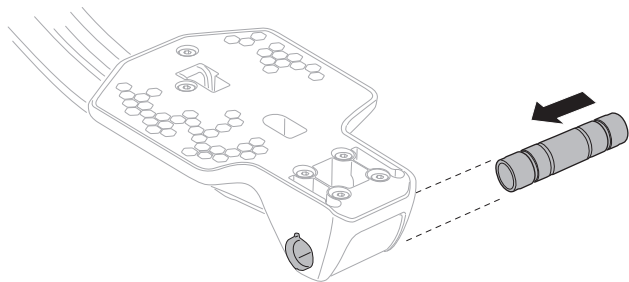
A



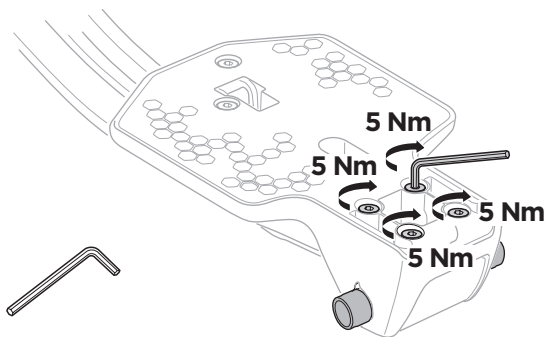
B



C

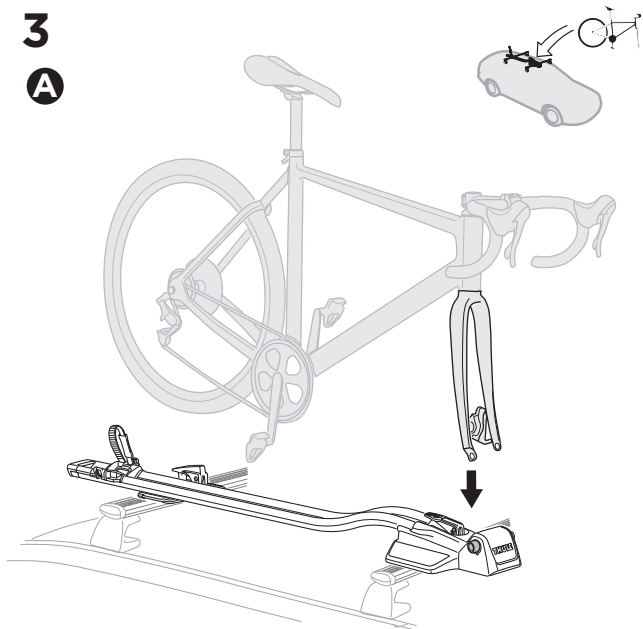


D

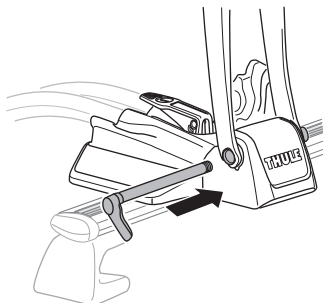


3

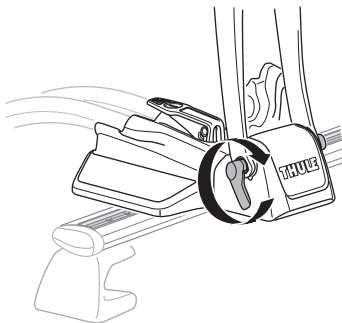
A



B

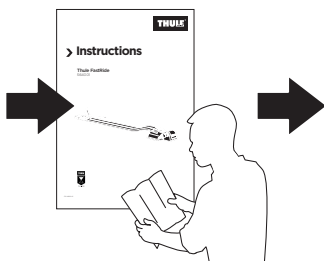
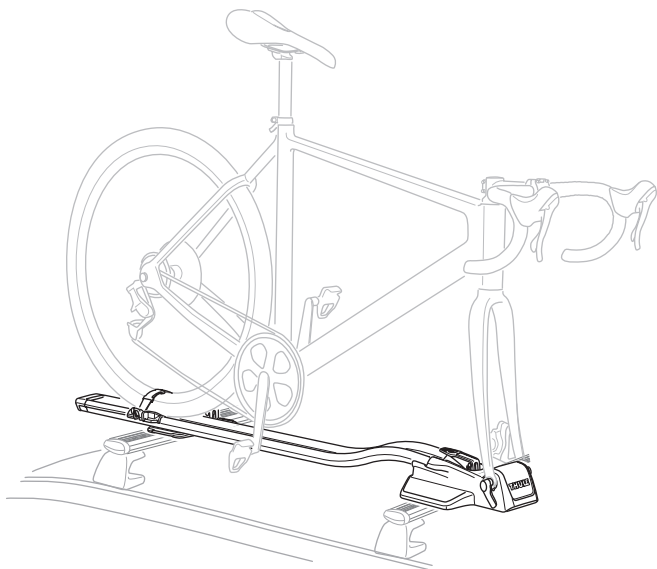


C



EN Follow bike manufacturer's recommendation for tightening torque!

4

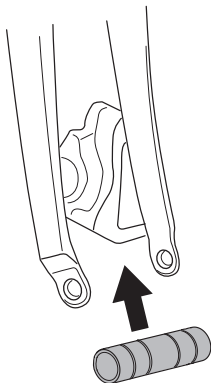


5

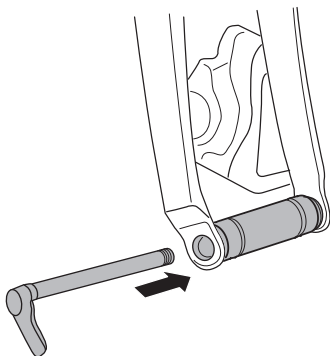


Thule TopRide

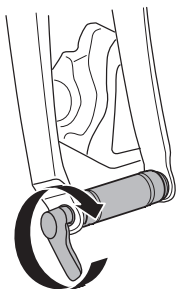
A



B



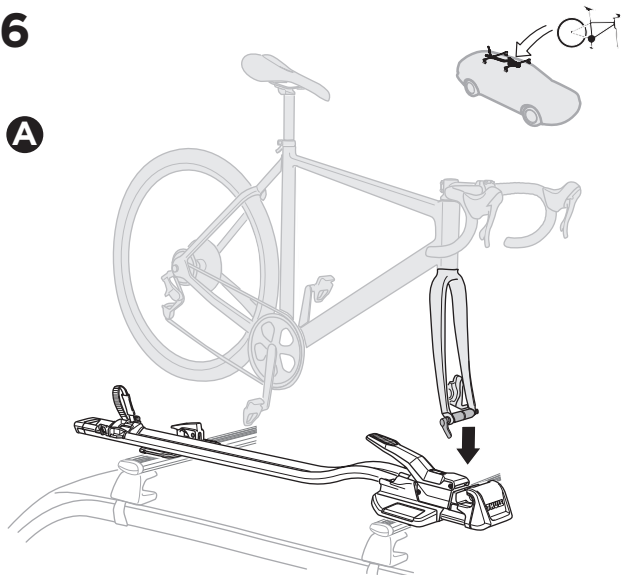
C



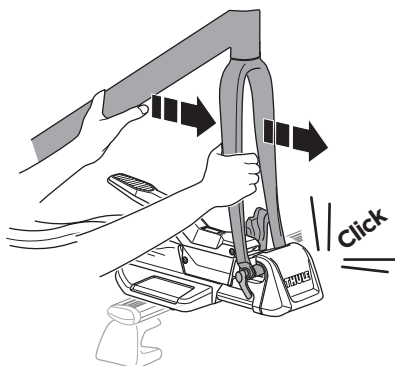
EN Follow bike manufacturer's recommendation for tightening torque!

6

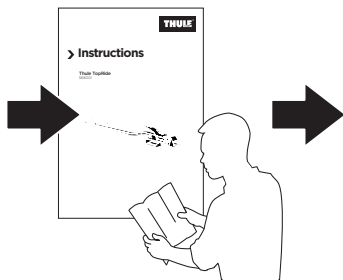
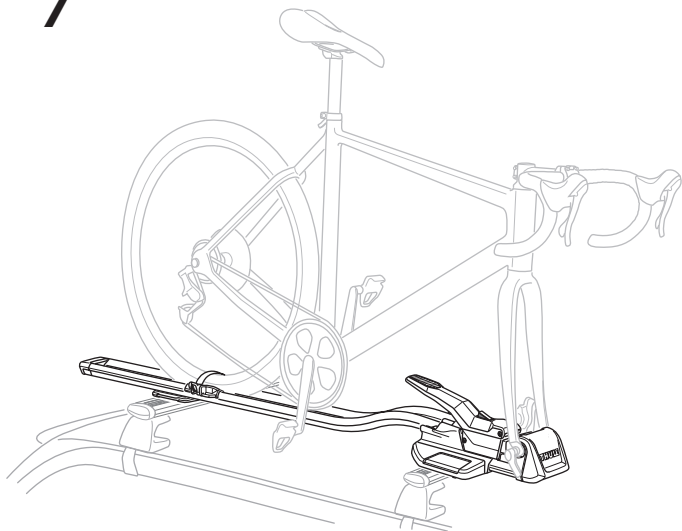
A

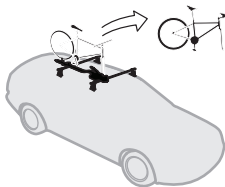


B

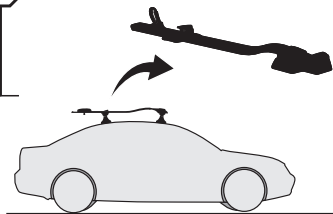
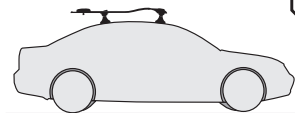


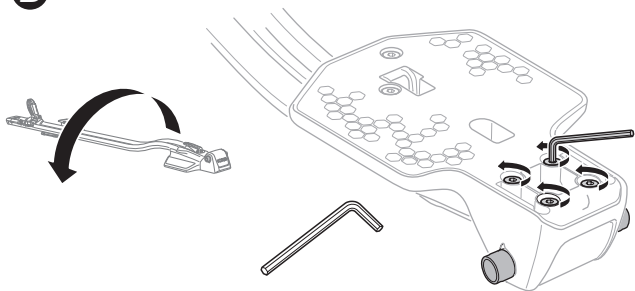
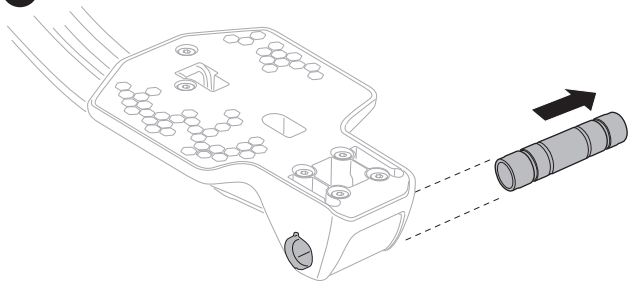
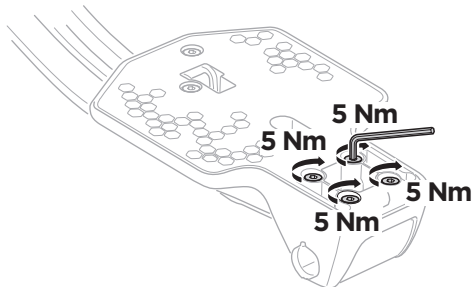
7

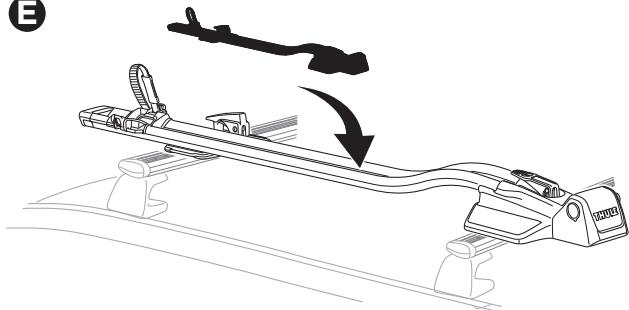




EN When the bike carrier is mounted to the vehicle without the bike attached to it, the adapter must be removed due to the risk of injury from sharp edge.



B**C****D**

E**F**