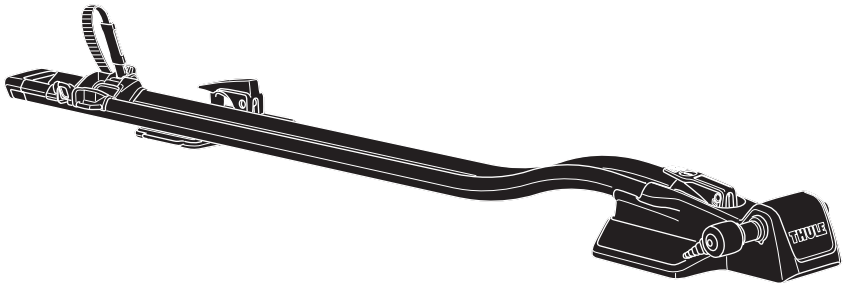
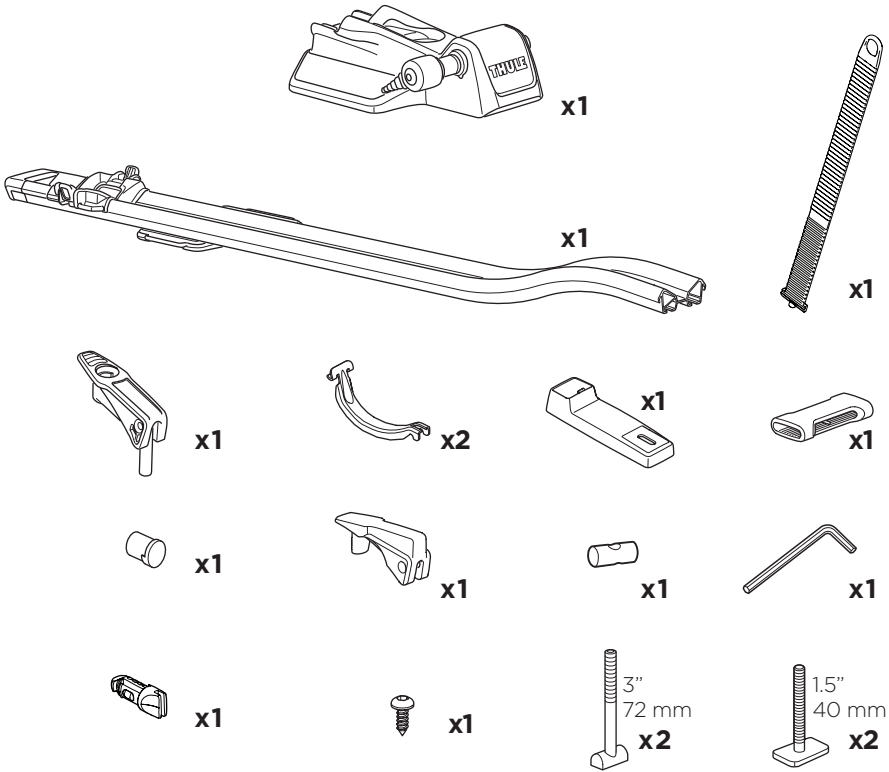
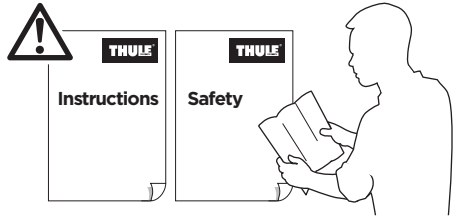


# ➤ Instructions

**Thule FastRide**  
564005

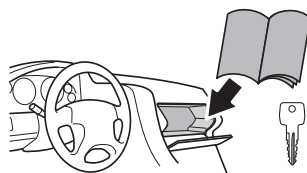
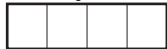




**i**



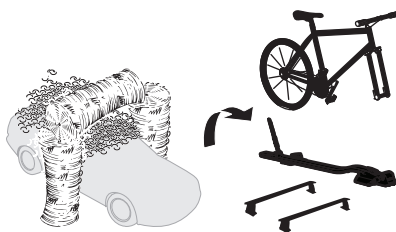
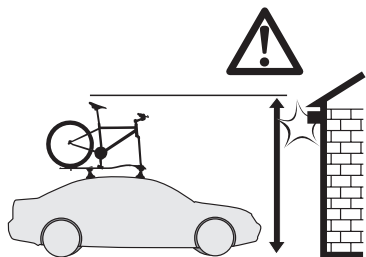
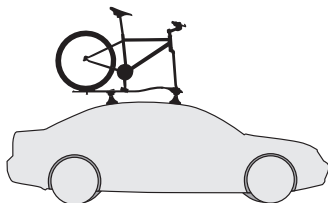
Your Key-Number



7.3 lbs



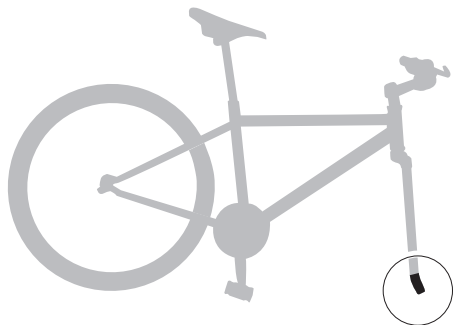
= Max 40lbs



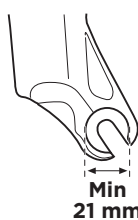
Not ok



Non-compatible bike fork drop outs.



Carbon Fiber/  
Carbon



Min  
21 mm

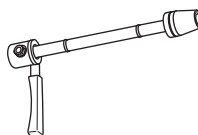


Not ok



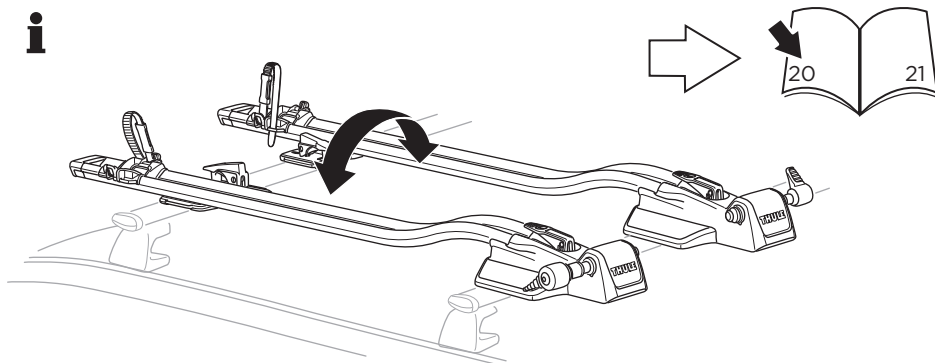
9 mm Quick Release:

Not ok





- EN** Only a few turns
- FR** Quelques tours uniquement
- ES** Sólo algunas vueltas
- PT** Apenas algumas voltas

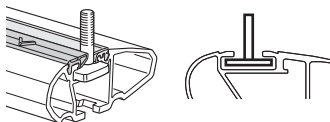


- EN** Left-hand fitting
- FR** Montage côté gauche

- ES** Montaje a izquierda
- PT** Montagem do lado esquerdo

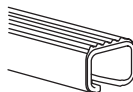


0.8" x 1.1"  
20x30 mm  
T-screw (included)

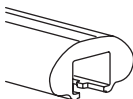
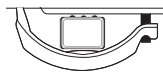


Thule WingBar Evo  
Thule AeroBlade/Thule SlideBar  
or other 0.8" / 20 mm T-track

➔ 5 - 7 ➔ 12



Square bars



Aluminium bars

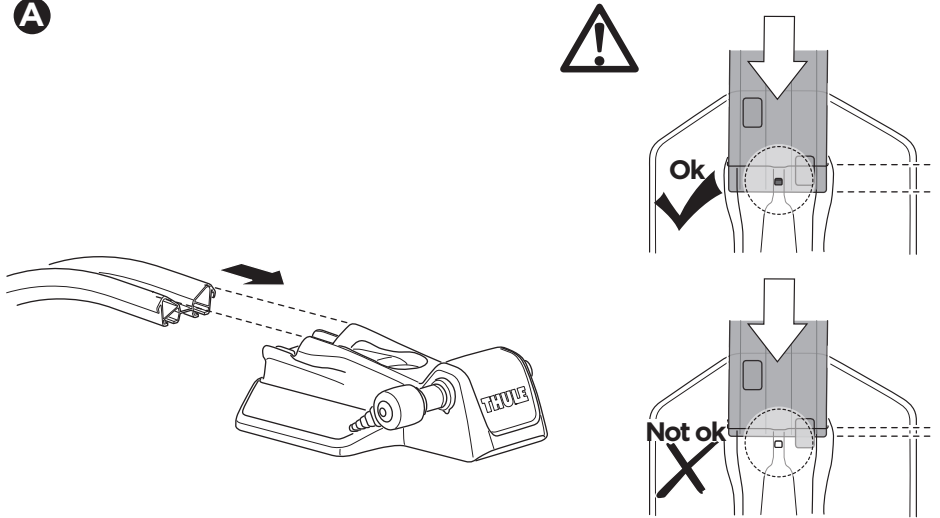


➔ 8 - 11 ➔ 12

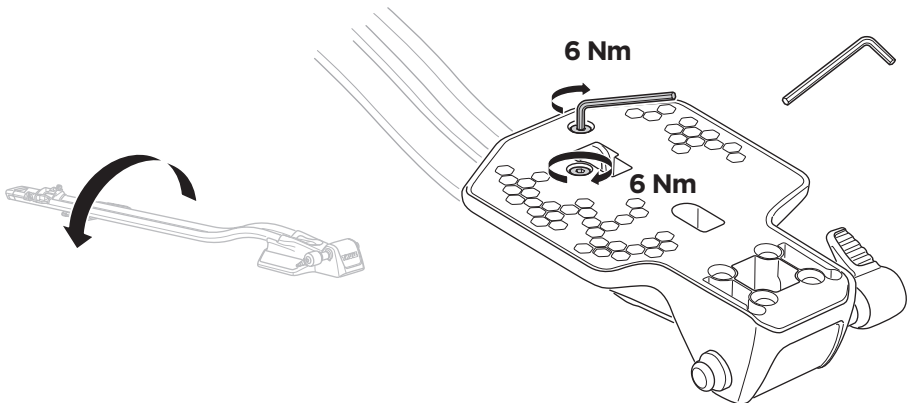
1



A



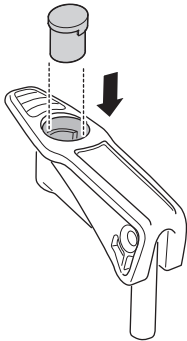
B



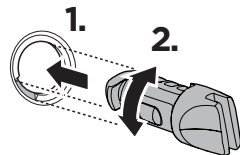
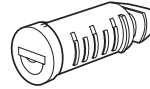
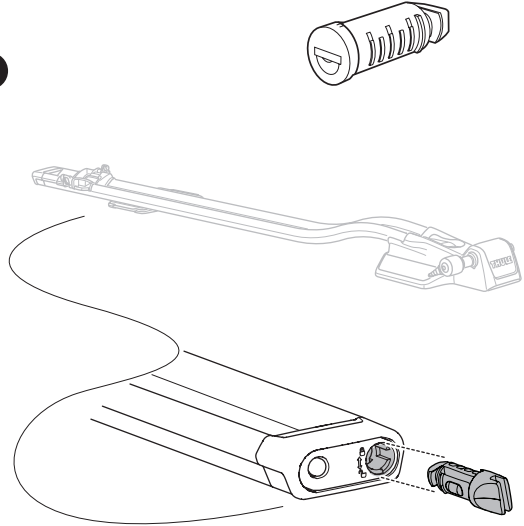
2



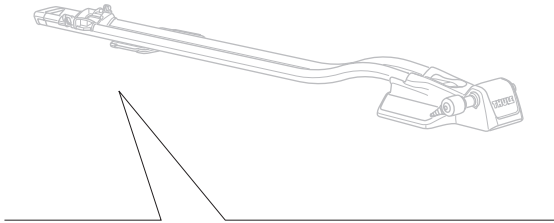
**A**



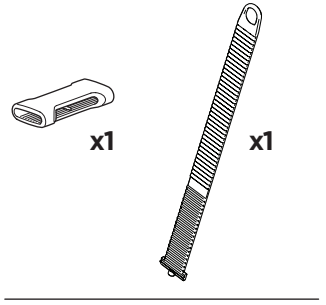
**B**



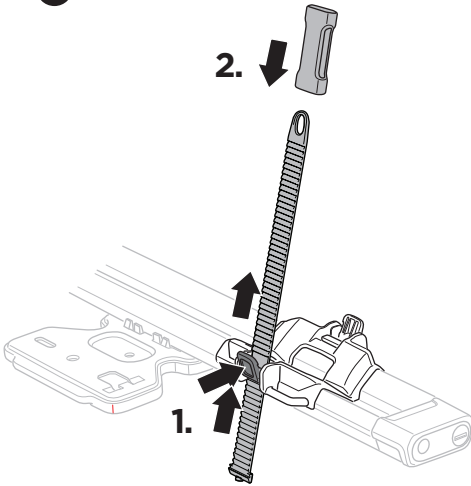
# 3



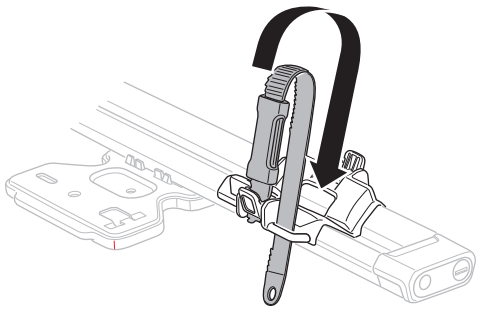
**A**



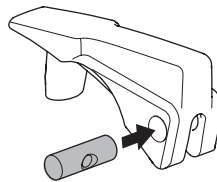
**B**



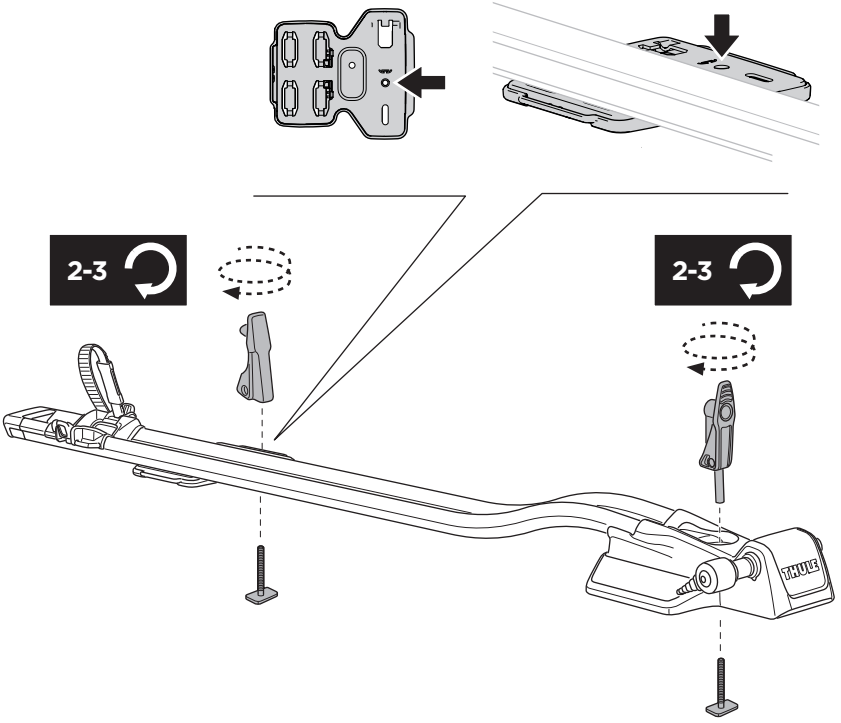
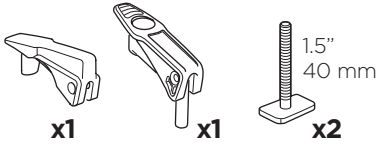
2.



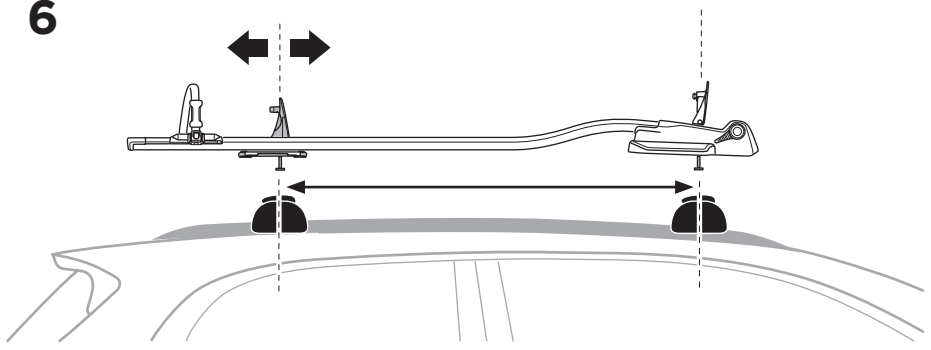
# 4



5

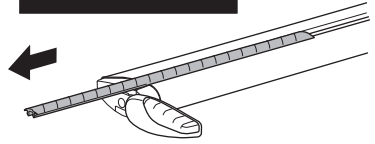
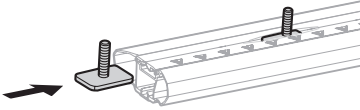


6

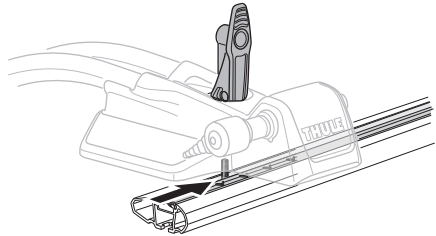
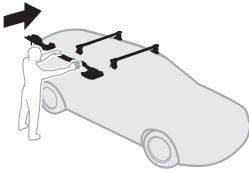




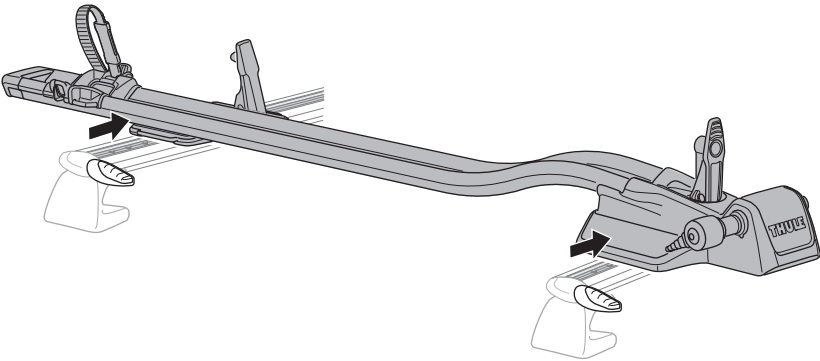
**i**



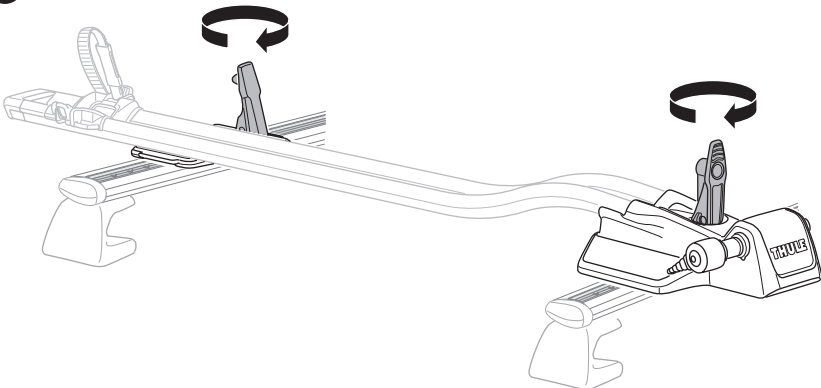
**7**



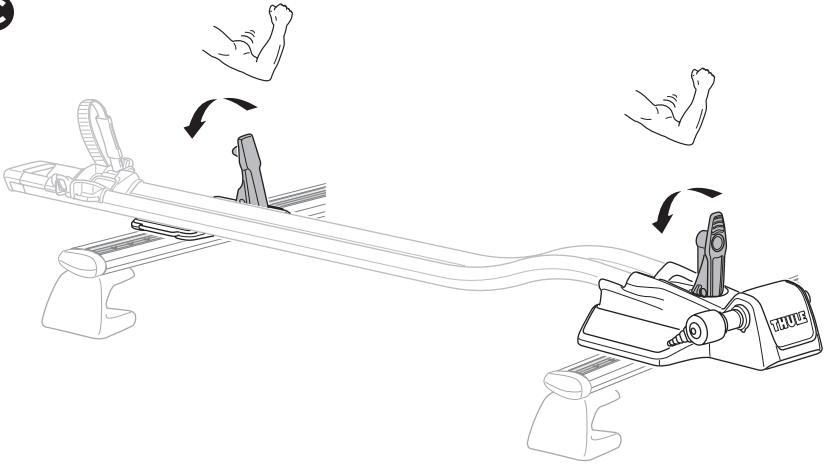
**A**



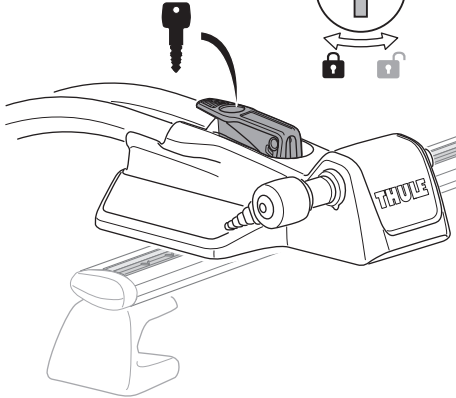
**B**



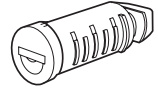
**C**



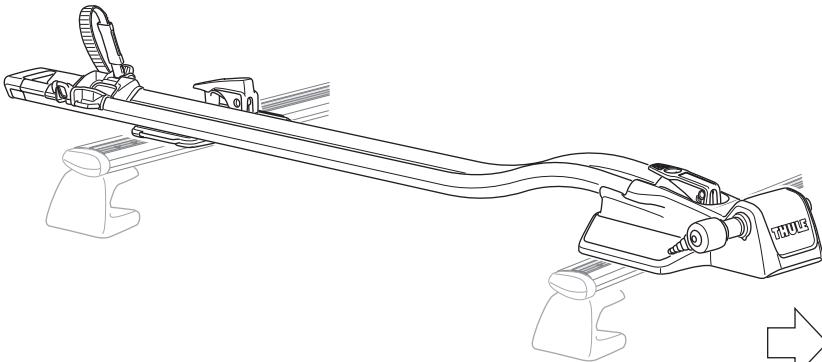
**i**



**i**

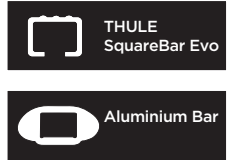
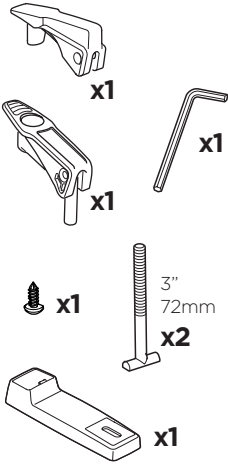


**D**

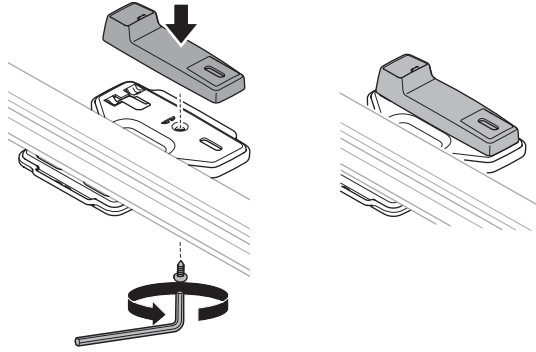


➔ **12**

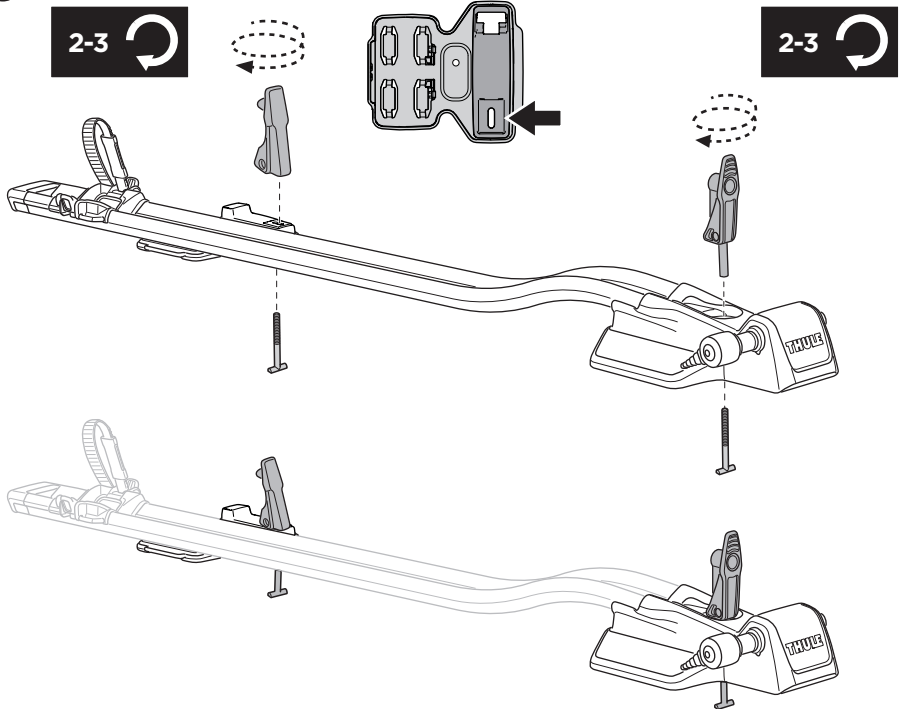
8



A



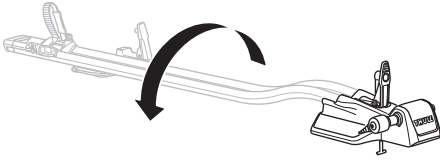
B



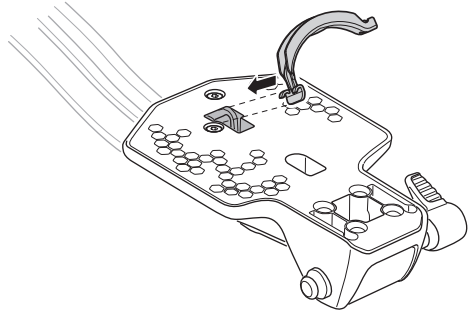
9



A



B

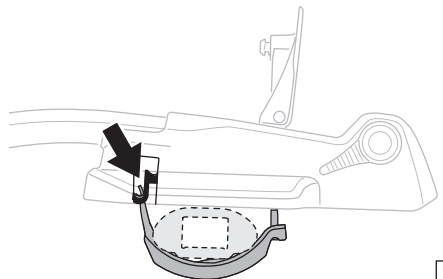
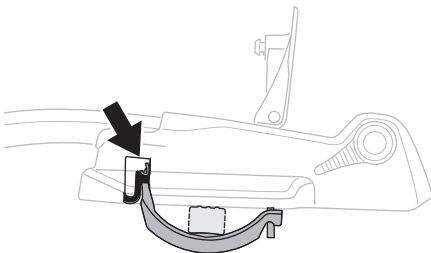
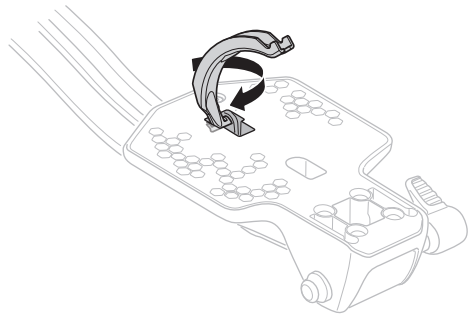
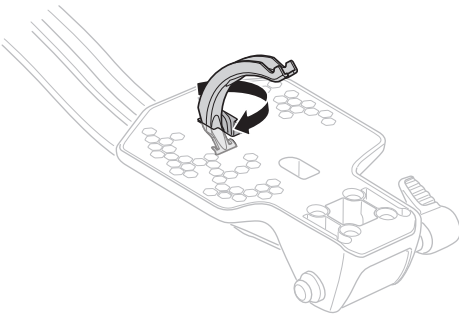


C

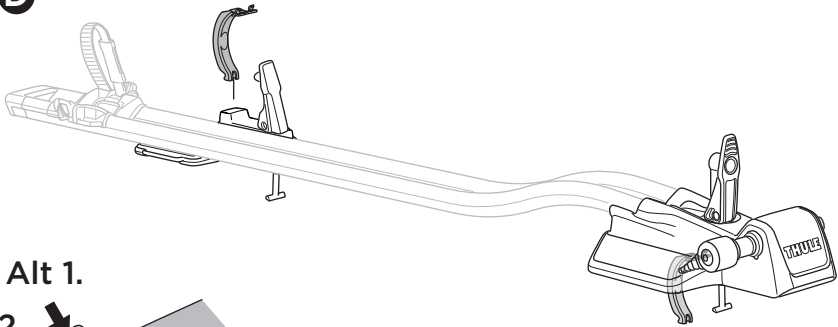
Alt 1.



Alt 2.

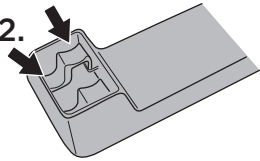


➔ **D**

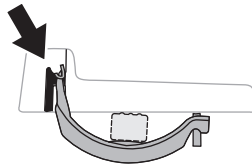


Alt 1.

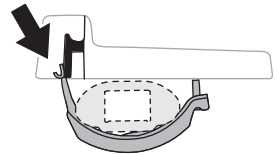
Alt 2.



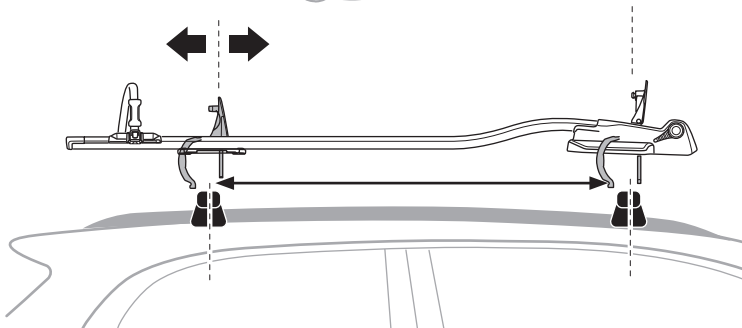
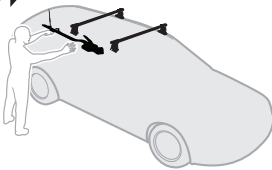
Alt 1.



Alt 2.

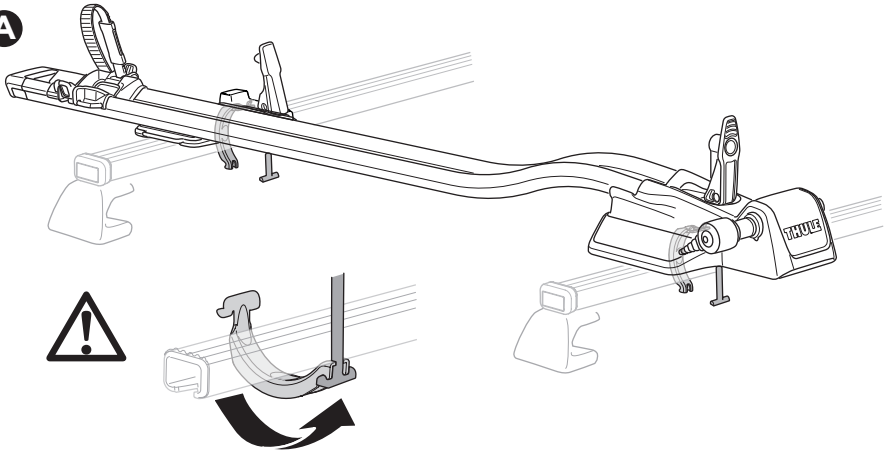


**10**

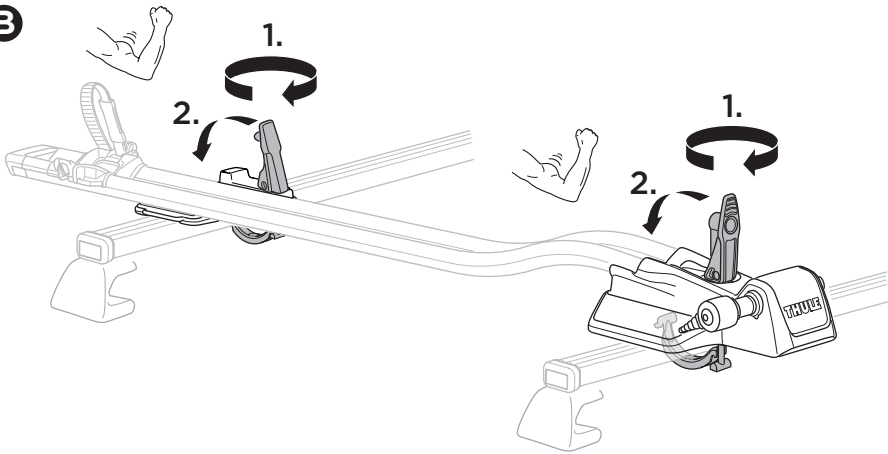


11

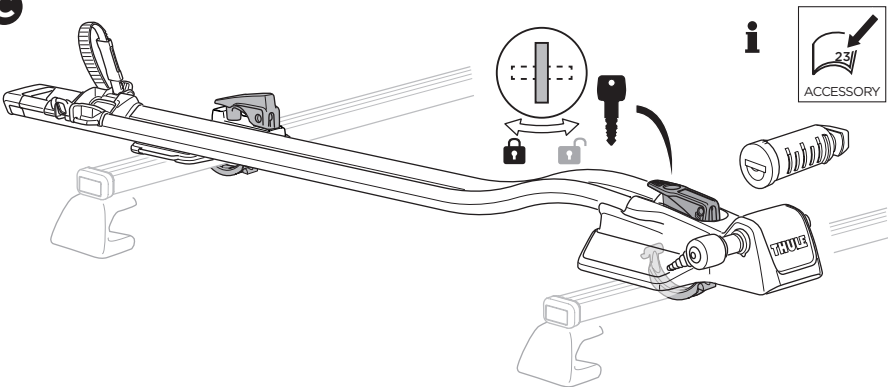
**A**



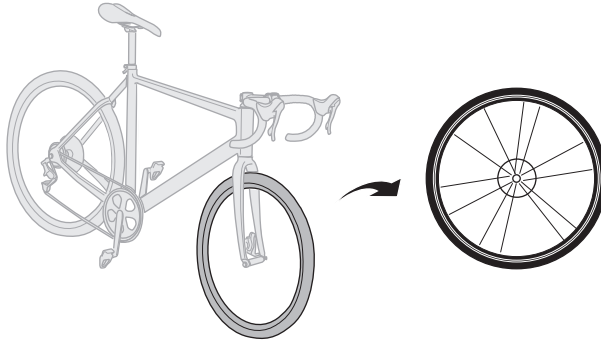
**B**



**C**

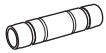


**i**

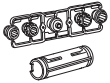


**i**

## For Thru-axle bikes

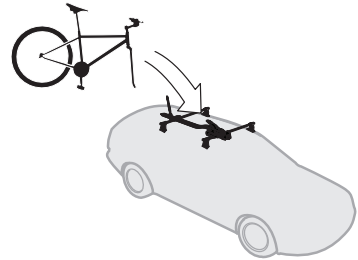


**Thule TopRide and FastRide Thru-axle Adapter**  
Ø20 x 110mm  
568100

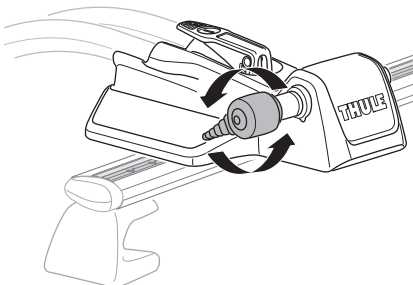


**Thule FastRide Ø9-15mm Axle Adapter Kit**  
9mm captive, Ø12x100mm, Ø12x110mm, Ø15x100mm, Ø15x110mm  
564100

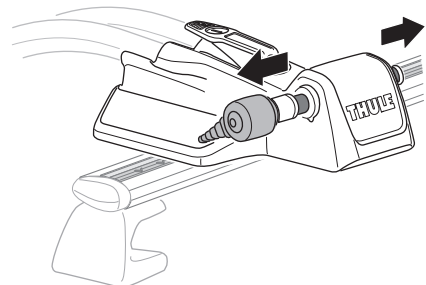
## 12 For Quick release axle bikes



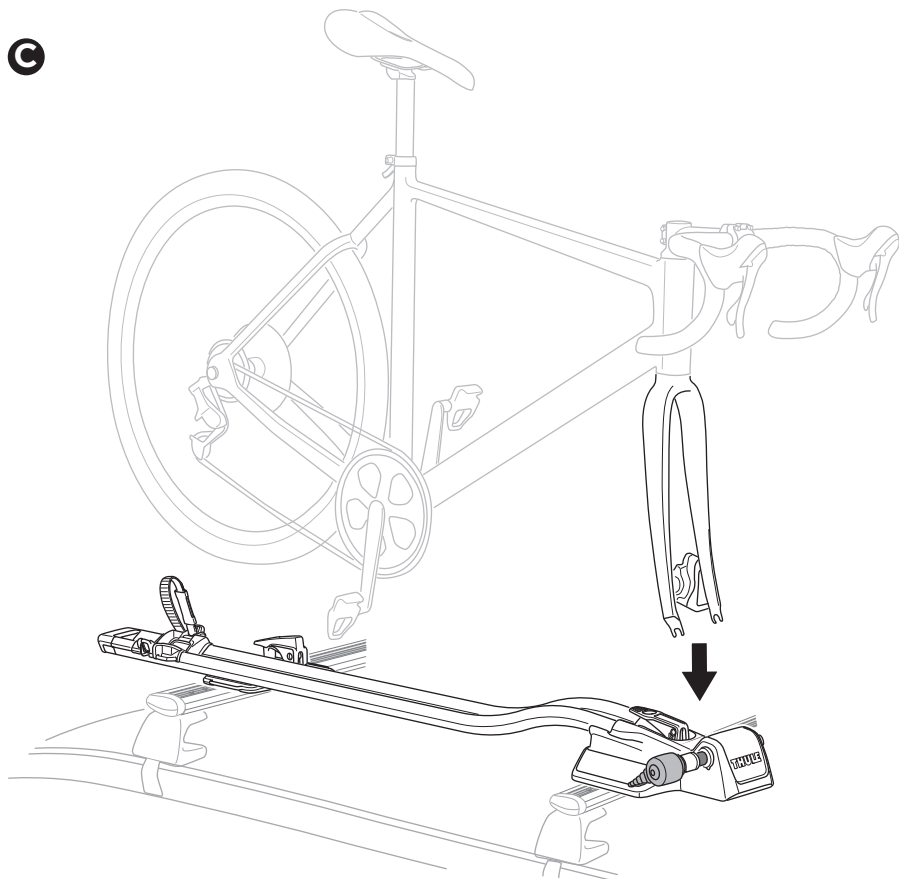
**A**



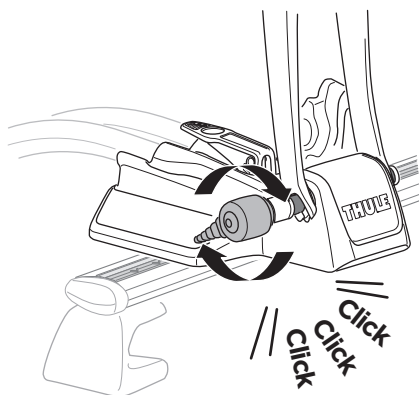
**B**



**C**

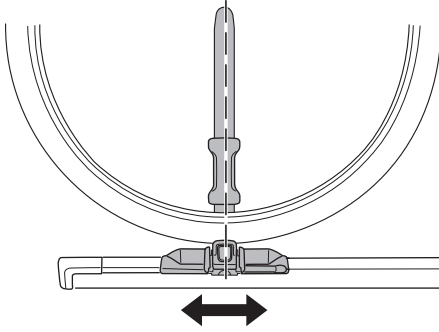


**D**

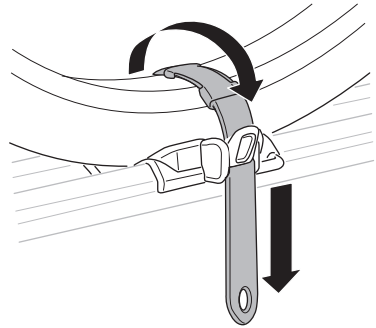




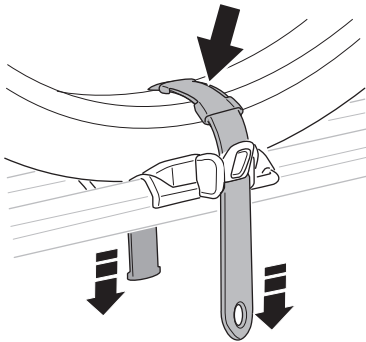
**i**



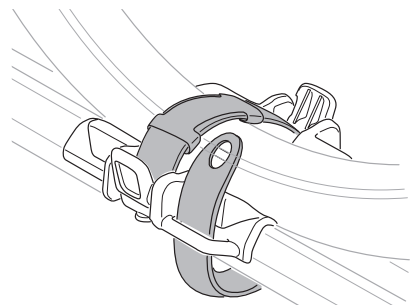
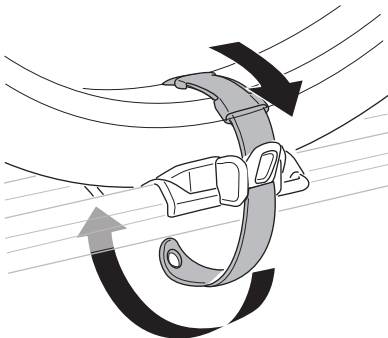
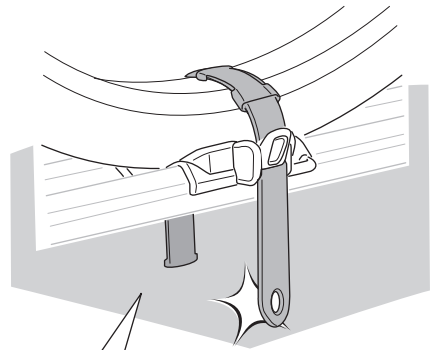
**E**



**F**

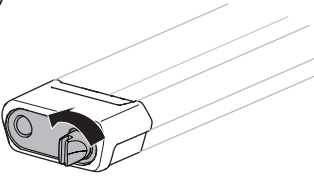


**i**

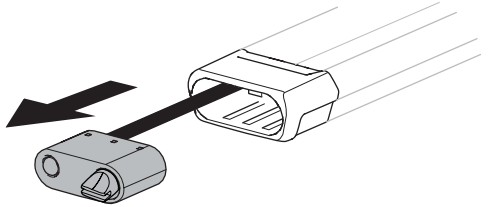


# 13

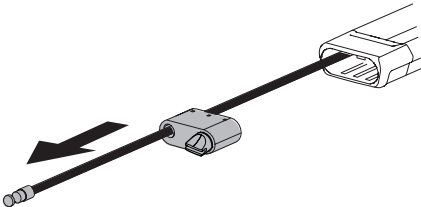
**A**



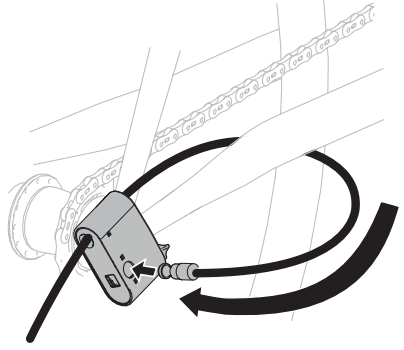
**B**



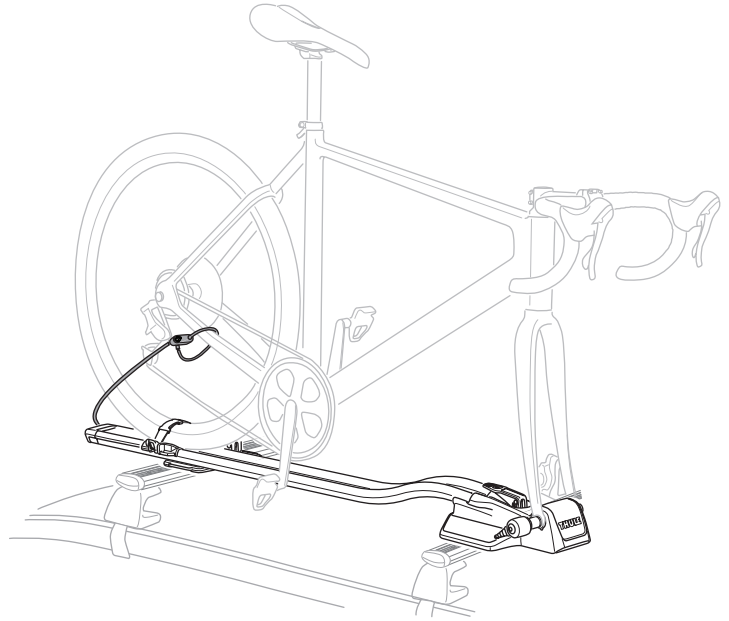
**C**



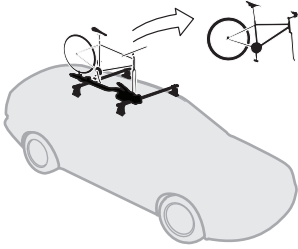
**D**



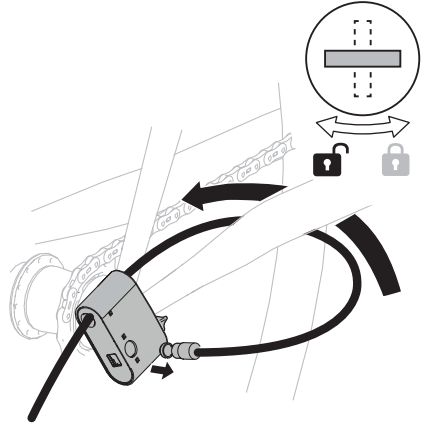
**E**



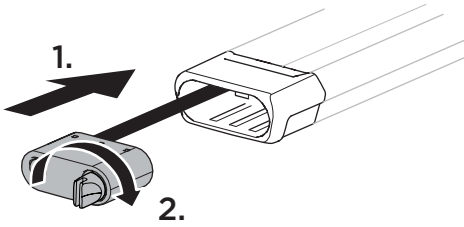
**i**



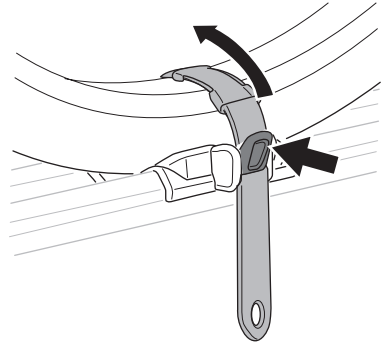
**A**



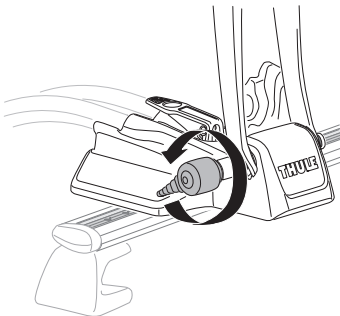
**B**



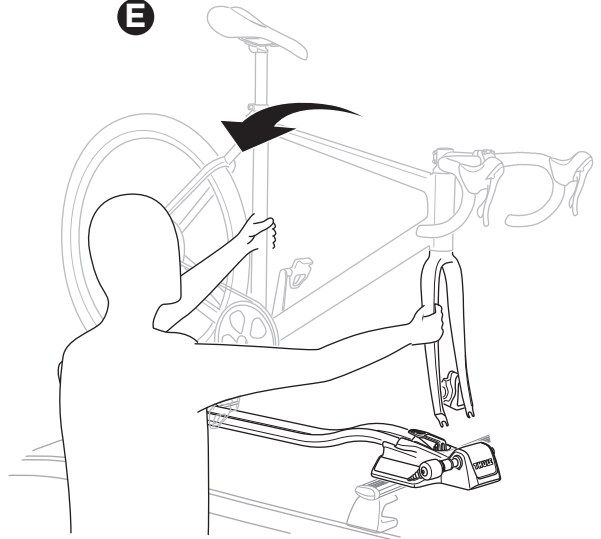
**C**



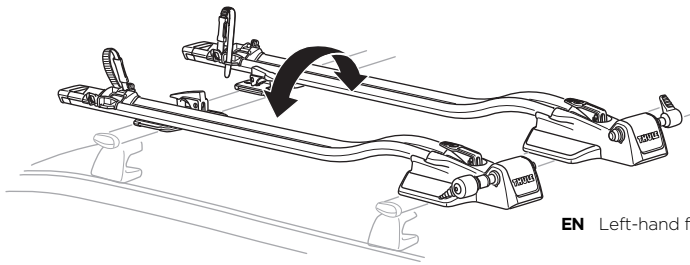
**D**



**E**

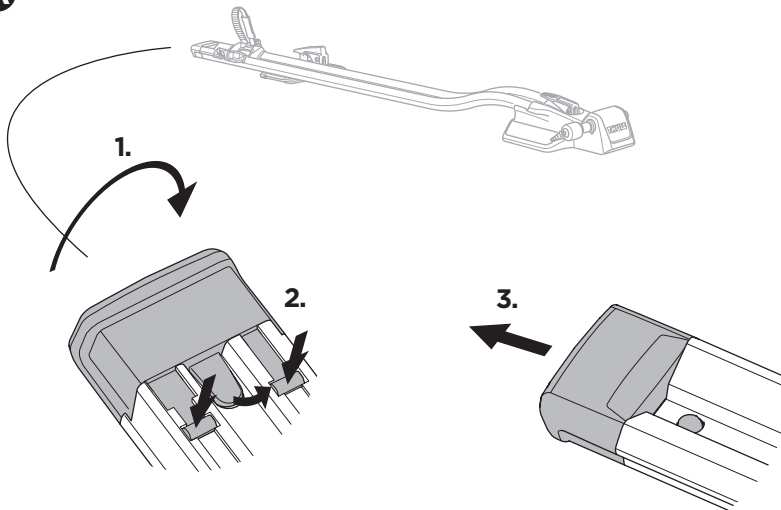


**i**

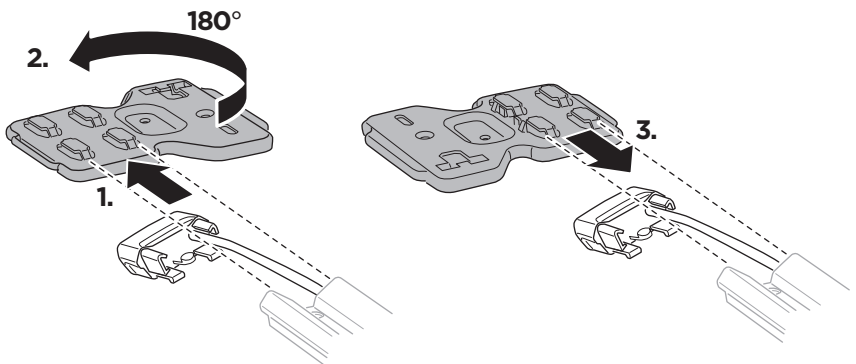


**EN** Left-hand fitting

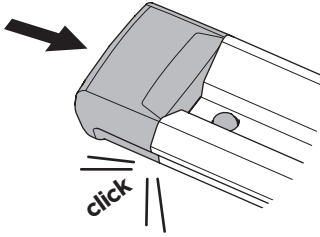
**A**



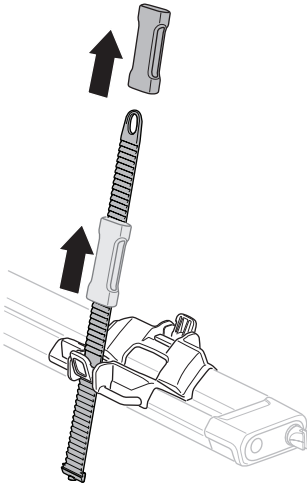
**B**



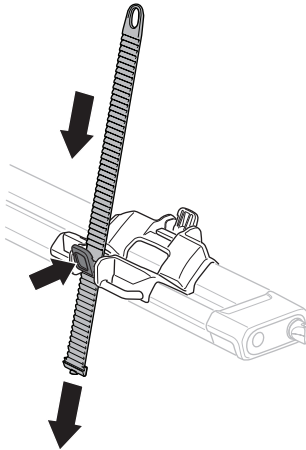
**C**



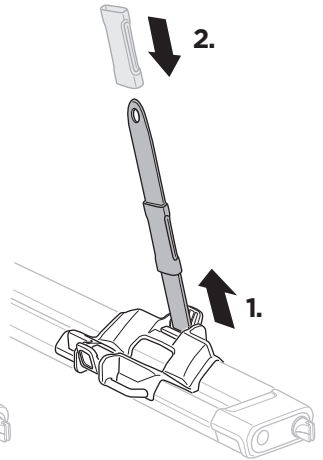
**D**



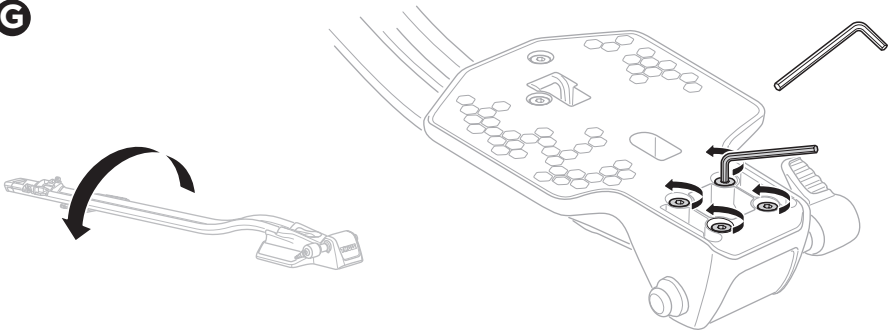
**E**



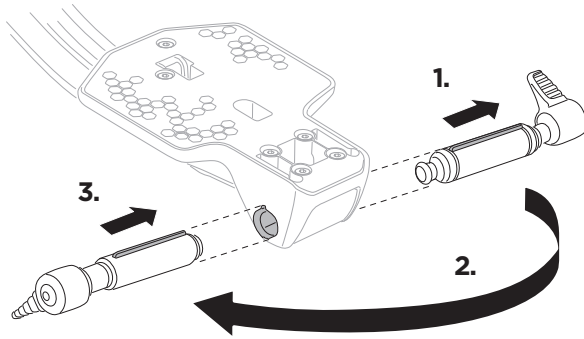
**F**



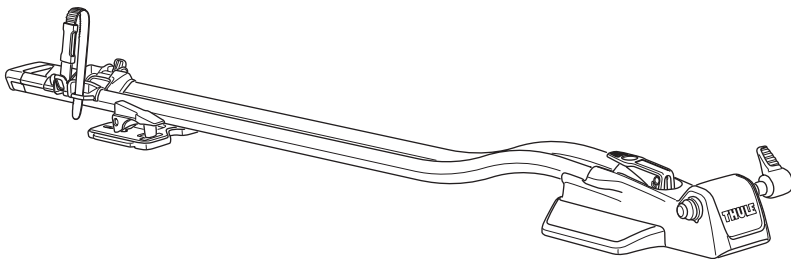
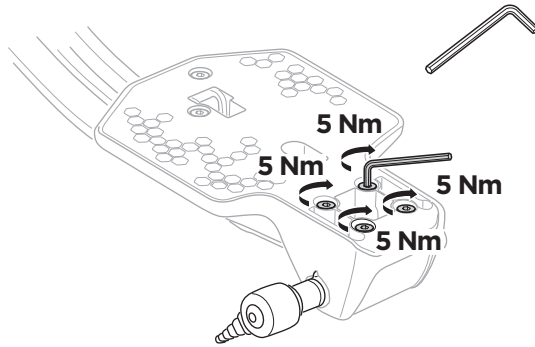
**G**



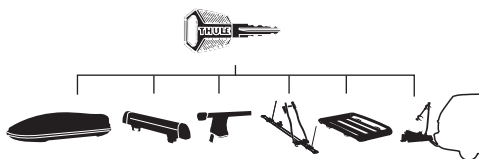
**H**



**I**



## Thule One-Key System



450200  (x2)

450400  (x4)

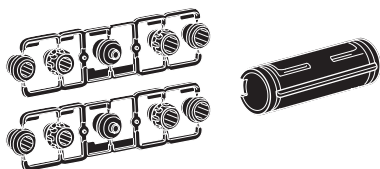
450600  (x6)

450800  (x8)

### Thule FastRide Ø9-15mm Axle Adapter Kit

9mm captive, Ø12x100mm, Ø12x110mm, Ø15x100mm, Ø15x110mm

564100



### Thule Front Wheel Holder

547001



### Thule TopRide and FastRide Thru-axle Adapter Ø20 x 110mm

568100



## EN = North American English

### A.0 General

- A.1 Thule assumes no liability for injury to persons, damage to movable or immovable property, loss of profit, or any other loss or damage caused by the improper mounting or use of the carrier, including but not limited to mounting or use in conflict with the assembly instructions, mounting instructions or any other instructions given, in writing or verbally, by Thule or a Thule dealer.
- A.2 The carrier and its parts must not be modified in any way.
- A.3 Consult your Thule dealer if you have any questions about the operation, use and limits of the carrier. Read all of the instructions and warranty information carefully before mounting and using the carrier.
- A.4 The Safety instructions should be retained for future reference and to ensure that any other users of the bike carrier are familiar with its content.

### B.0 Fitting

- B.1 Check the assembly instructions to make sure that all the necessary parts of the carrier are present.
- B.2 Read and follow the assembly instructions and the recommendation list carefully, if the list is included. Then fit the unit in the correct sequence by following points 1, 2, 3 and so on.
- B.3 Do not attempt to fit the carrier in any other way than the way shown in the mounting instructions.
- B.4 In the case of the roof-mounted carrier, if no special fitting positions are given in the assembly instructions, ensure that there is a minimum distance of 700mm between the front and rear racks.
- B.5 The load may not exceed the load carrier's width, and it should be spread evenly across the load carrier and with the low-est possible center of gravity.

### C.0 Loading

- C.1 The maximum load for the carrier, as specified in the assembly instructions, must not be exceeded. In addition, the maximum load recommended for the vehicle itself always takes priority over the load specified in the assembly instructions. It is always the lower recommended maximum load that applies and that must not be exceeded.
- C.2 The load must be carefully secured. Elastic bungees must not be used.
- C.3 Check and do not exceed the maximum weight per bike specified in the mounting instructions.
- C.4 The carrier is constructed to carry only standard bike frames. Tandem bikes must not be transported on the carrier. Always check and do not exceed the maximum bike frame size (diameter) specified in the mounting instructions.
- C.5 In the case of bikes with carbon frames or forks, always consult the bike manufacturer or dealer to check if you are allowed to use the carrier.
- C.6 Thule assumes no liability for any damage to carbon frames or forks incurred during mounting and/or use of the carrier.
- C.7 All easily removable parts of the bikes must be removed before transportation, including but not limited to child seats, baskets, locks (if not permanently mounted) and air pumps. These parts can become detached during transportation because of increased air resistance and vibration and can constitute a danger to other road users.

### D.0 Driving characteristics and regulations

- D.1 Check the load fastenings regularly.
- D.2 The vehicle driver is solely responsible for ensuring that the carrier is in perfect condition and that the carrier and load are securely fastened (even if fitted by a third person).
- D.3 Every time the carrier is used, check that the carrier is securely fitted after driving a short distance (50km) and then at regular intervals. If you notice any unusual noise, movement of the load and/or carrier, different behaviour of the vehicle or other unusual conditions, stop and check that the carrier and load are secured correctly, and in accordance with the mounting instructions.
- D.4 The vehicle's total length and/or height may increase when a carrier is mounted. The bikes themselves may increase the vehicle's total width and height. Take special care when reversing and/or entering garages or ferries etc.
- D.5 Replace any damaged or worn parts of the carrier immediately. During transportation, all levers, bolts and/or nuts must be tightened in accordance with the mounting instructions.
- D.6 Carriers fitted with a lock must always be in the locked position. The keys must be removed and kept inside the vehicle during transport.
- D.7 Be aware that the vehicle's driving characteristics and braking behaviour (including in curves) might change and that the vehicle might become vulnerable to side winds when the carrier is fitted.
- D.8 The vehicle's speed must always be adjusted to the load being carried and the current driving conditions, such as the road type, road quality, wind conditions, traffic intensity and applicable speed limits, but must under no circumstances exceed 130 km/h. Applicable speed limits and other traffic regulations must always be observed.
- D.9 Be aware that wind noise may be generated during transport and may vary depending on the vehicle and load.
- D.10 For reasons of fuel economy and environmental impact as well as the safety of other road users, the carrier must be removed from the vehicle when not in use.

### E.0 Maintenance

- E.1 Clean the carrier regularly using warm water or car shampoo, especially when using or after using the carrier in coastal areas (the effect of salt water) or during periods when salt is applied to the roads (winter time).
- E.2 Remove the carrier before using an automatic car wash.
- E.3 When the carrier is removed from the vehicle, it must be stored in a dry storage area. All the components of the carrier must be stored safely. Remember to clean and maintain the carrier in accordance with the instructions.
- E.4 If you lose part(s) of the carrier or part(s) of the carrier wear out, only use genuine Thule spare parts as replacements. Spare parts can be purchased from your dealer or manufacturer.
- E.5 To ensure that you receive the spare parts quickly and to avoid time-consuming queries, please provide the relevant product details and the serial number when placing an order or making an inquiry.
- E.6 In order to ensure that you are able to replace lost or defective keys as quickly as possible, note down the lock and key number which can be found on your key and lock.



THULE will warranty all THULE brand car rack systems and its accessories manufactured by THULE during the time that an original retail purchaser owns the product. This warranty terminates if a purchaser transfers the product to any other person.

Subject to the limitations and exclusions described in this warranty, THULE will remedy defects in materials or workmanship by repairing or replacing, at its option, a defective product without charge for parts or labor. In addition, THULE may elect, at its option, not to repair or replace a defective product but rather issue to a purchaser a refund equal to the purchase price paid for the product or a credit to be used toward the purchase of a new THULE load carrier system.

No warranty is given for defects caused by normal wear and tear, cosmetic rust, scratches, accidents, unlawful vehicle operation, or modification of, or any types of repair of, a load carrier system other than those authorized by THULE.

No warranty is given for defects resulting from conditions beyond THULE's control including, but not limited to, misuse, overloading, or failure to assemble, mount or use the product in accordance with THULE's written instructions or guidelines included with the product or made available to the purchaser.

In the event that a product is defective, the purchaser should contact the THULE dealer from whom the product was purchased or an Authorized Thule Service Center. If the dealer or Authorized Thule Service Center is not able to correct the defect, the purchaser should contact THULE in writing or by phone using the contact information listed at the bottom of this page.

In the event that a product needs to be returned to THULE, a THULE technician at the address or telephone number listed below will provide the purchaser with the appropriate mailing address and any additional instructions. Please note that the purchaser will be responsible for the cost of mailing the product to THULE and that proof of purchase in the form of an original purchase invoice or receipt and a detailed description of the defect must be included in the mailing.

#### DISCLAIMER OF LIABILITY

REPAIR OR REPLACEMENT OF A DEFECTIVE PRODUCT OR THE ISSUANCE OF A REFUND OR CREDIT (AS DETERMINED BY THULE) IS A PURCHASER'S EXCLUSIVE REMEDY UNDER THIS WARRANTY. DAMAGE TO A PURCHASER'S VEHICLE, CARGO AND/OR TO ANY OTHER PERSON OR PROPERTY IS EXCLUDED.

THIS WARRANTY IS EXPRESSLY MADE IN LIEU OF ANY AND ALL OTHER WARRANTIES, EXPRESS OR IMPLIED, INCLUDING THE WARRANTIES OF MERCHANTABILITY AND FITNESS FOR A PARTICULAR PURPOSE.

THULE'S SOLE LIABILITY TO ANY PURCHASER IS LIMITED TO THE REMEDY SET FORTH ABOVE. IN NO EVENT WILL THULE BE LIABLE FOR ANY LOST PROFITS, LOST SALES, OR FOR ANY CONSEQUENTIAL, DIRECT, INDIRECT, INCIDENTAL, SPECIAL, EXEMPLARY, OR PUNITIVE DAMAGES OR FOR ANY OTHER DAMAGES OF ANY KIND OR NATURE.

SOME STATES DO NOT ALLOW THE EXCLUSION OR LIMITATION OF INCIDENTAL OR CONSEQUENTIAL DAMAGES, SO THE ABOVE LIMITATIONS MAY NOT BE APPLICABLE.

THIS WARRANTY GIVES YOU SPECIFIC LEGAL RIGHTS, AND YOU MAY ALSO HAVE OTHER RIGHTS WHICH VARY FROM STATE TO STATE.

