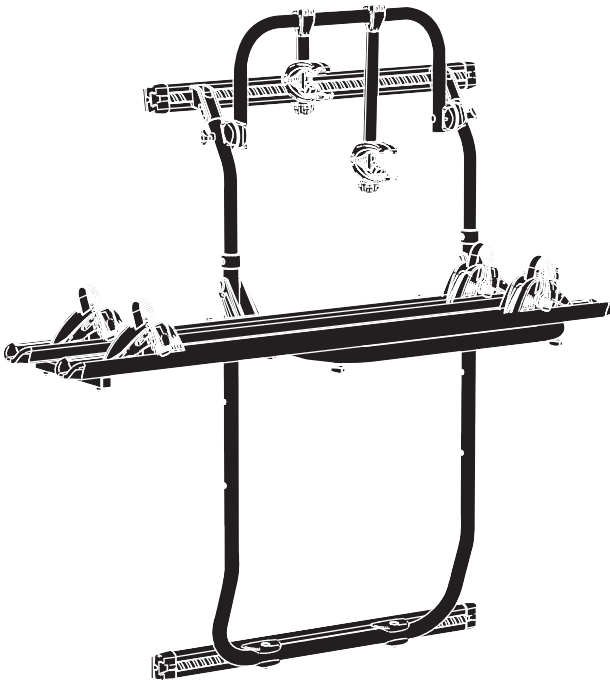


➤ Instructions

Thule Elite Van XT Black

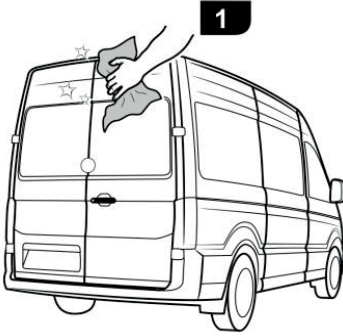
Volkswagen Crafter | before 2017

Mercedes Benz Sprinter | since 2006

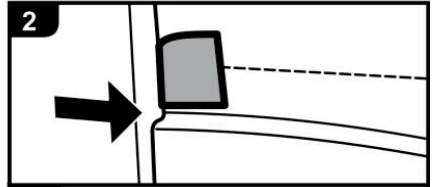




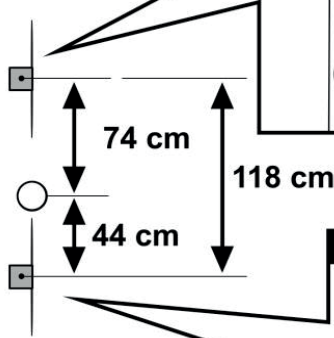
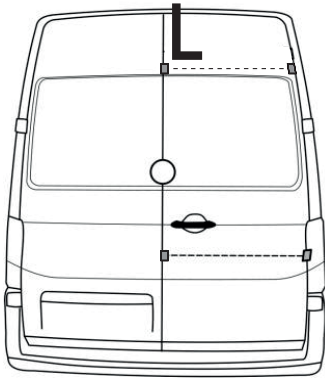
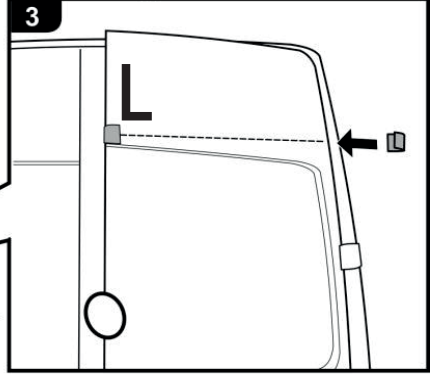
1



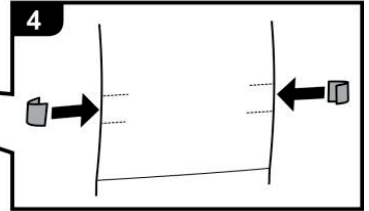
2



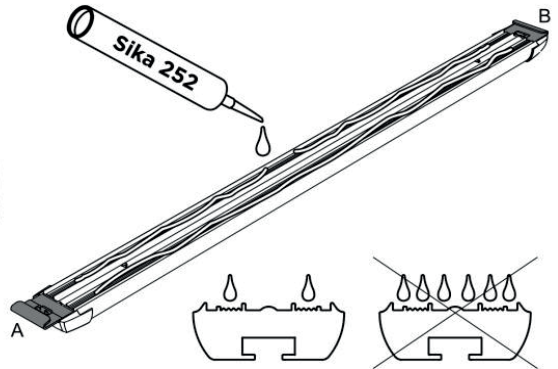
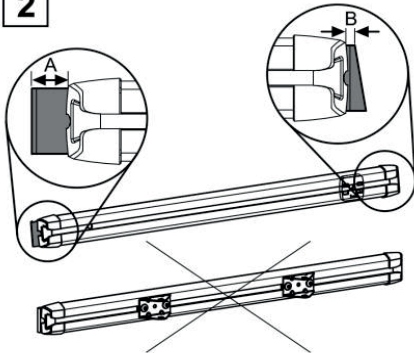
3

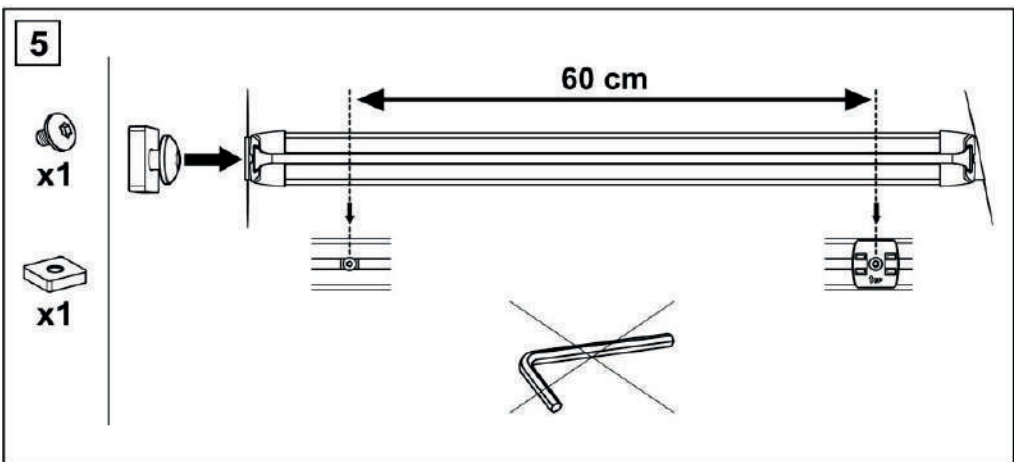
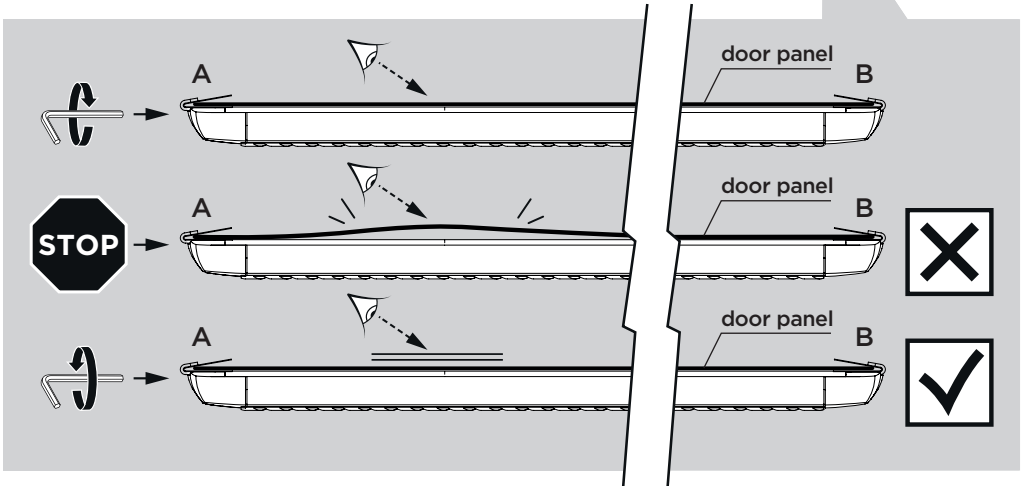
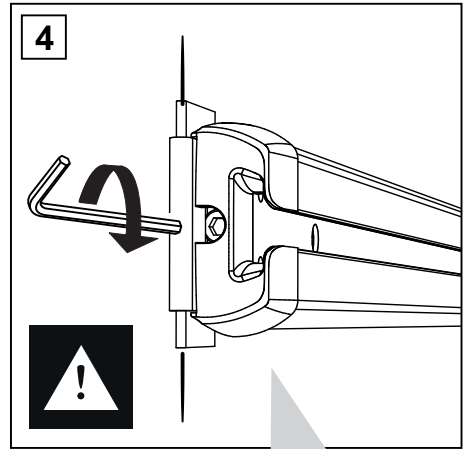
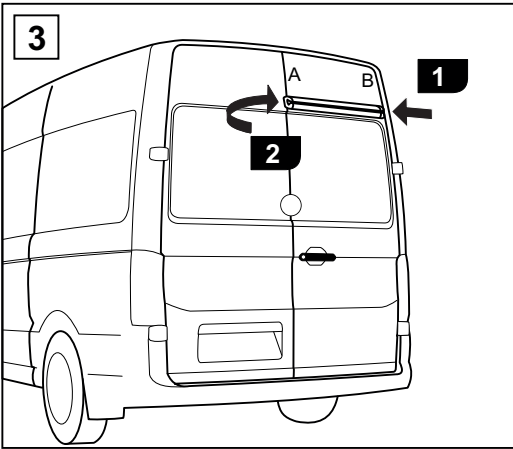


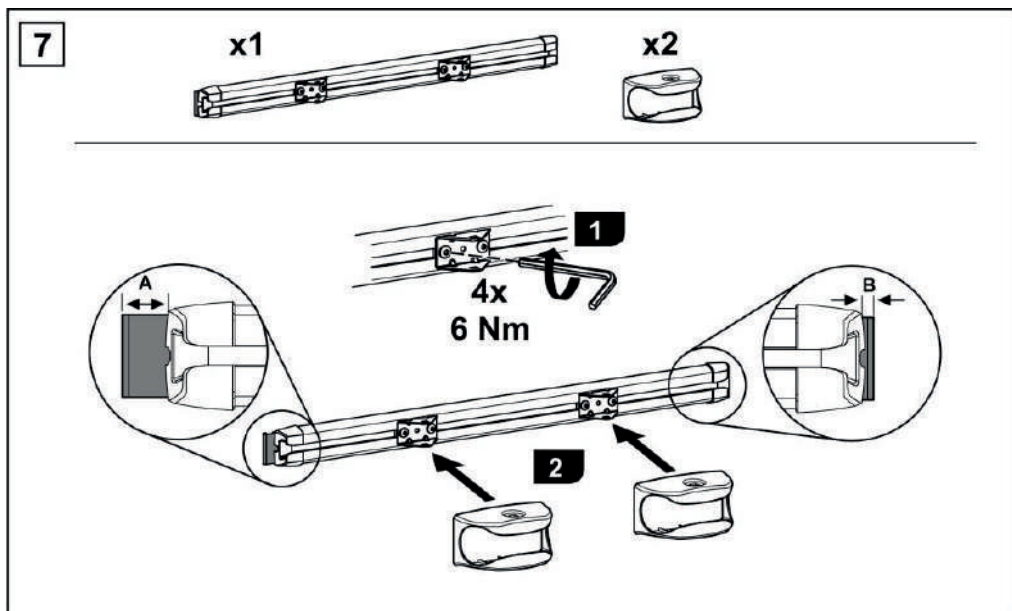
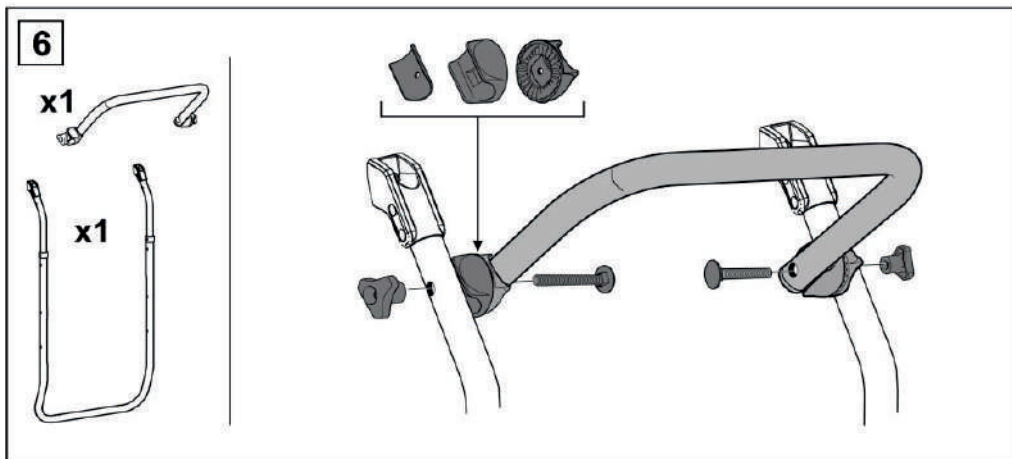
4

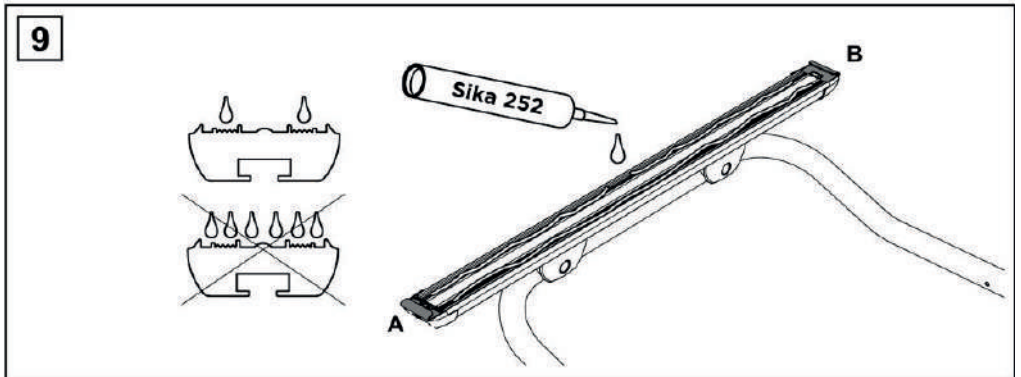
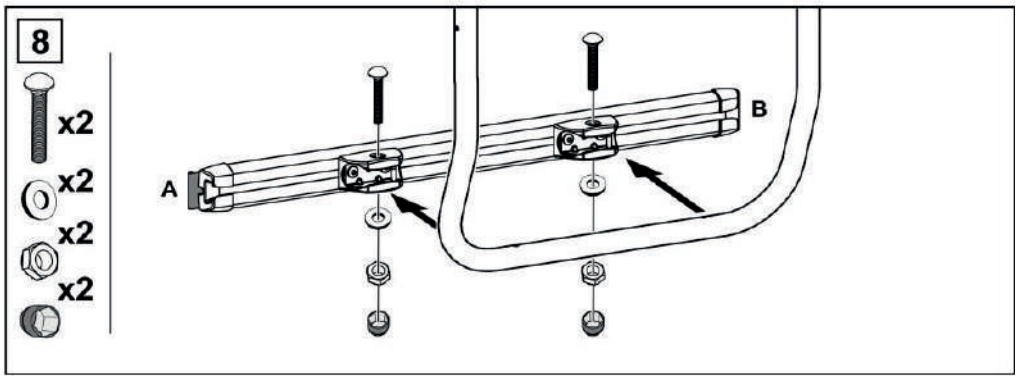


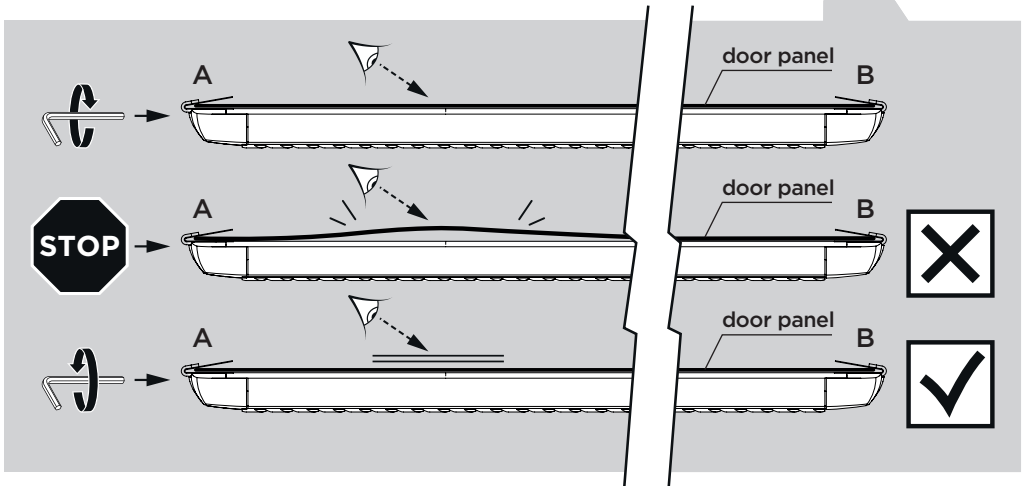
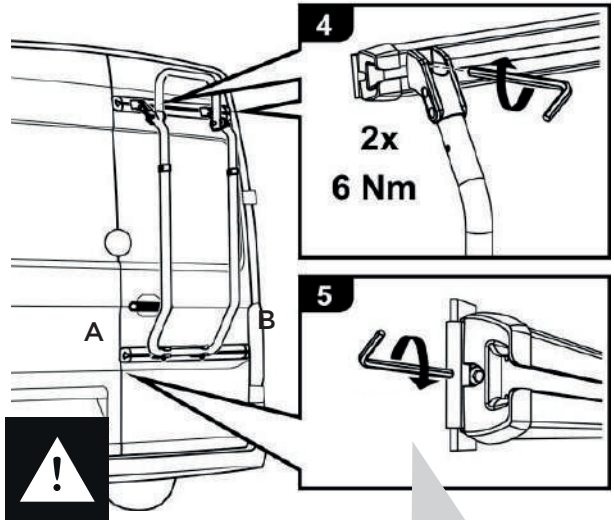
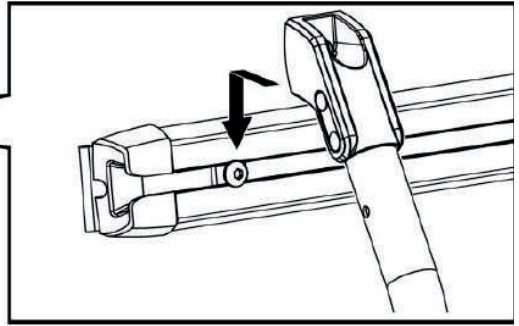
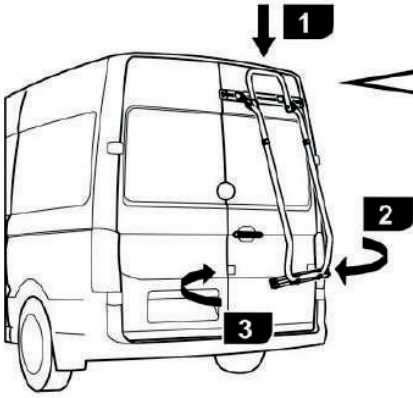
2

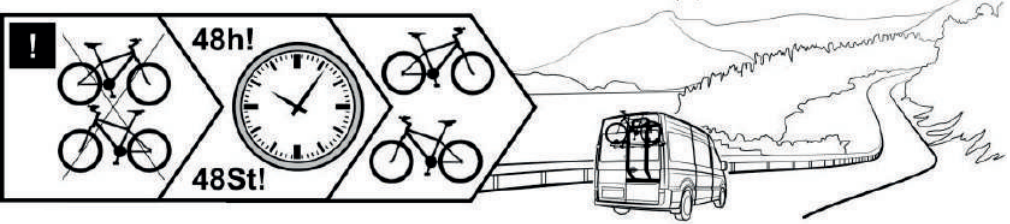
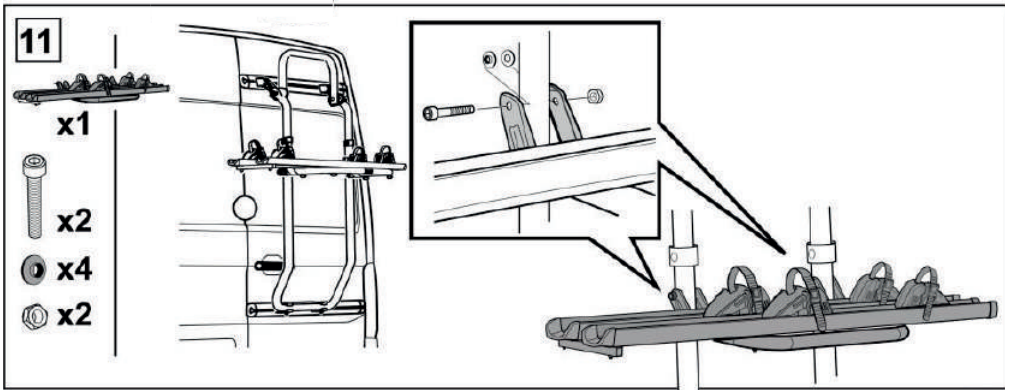


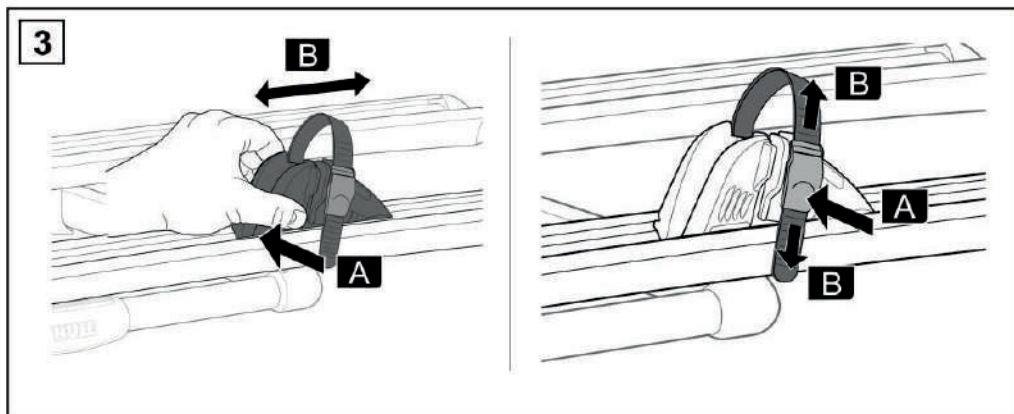
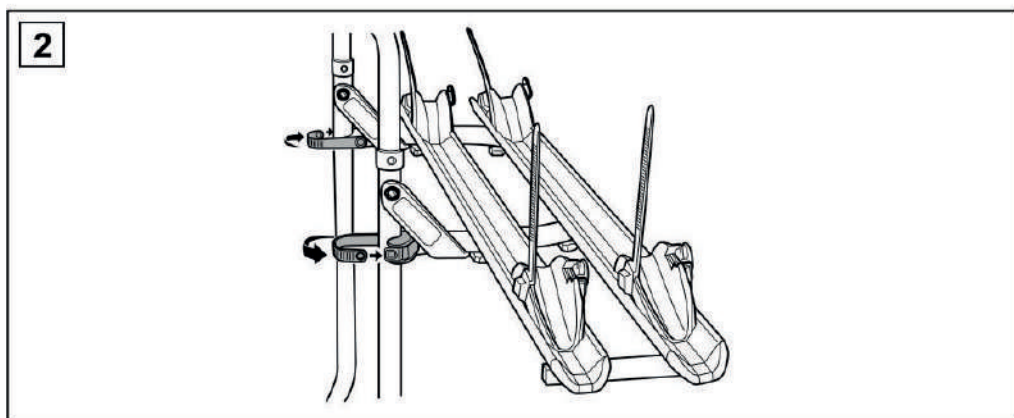
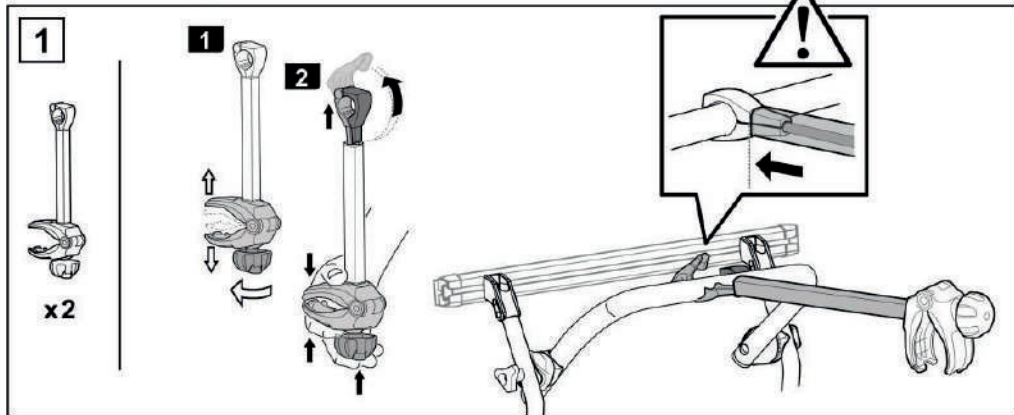








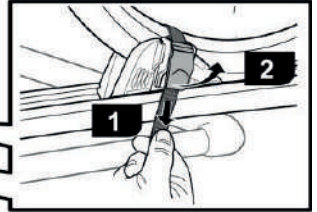
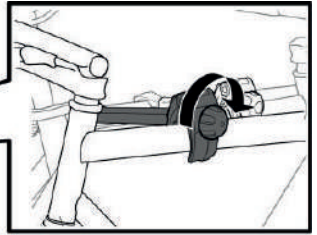
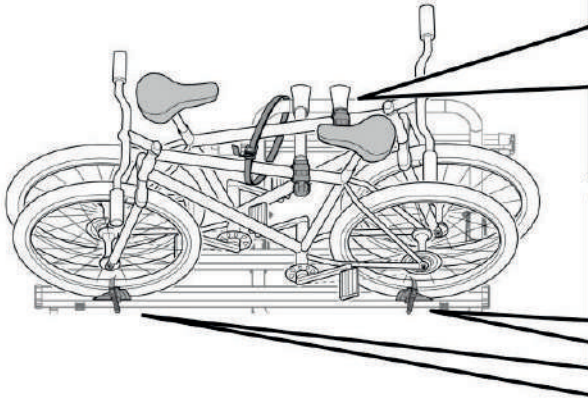




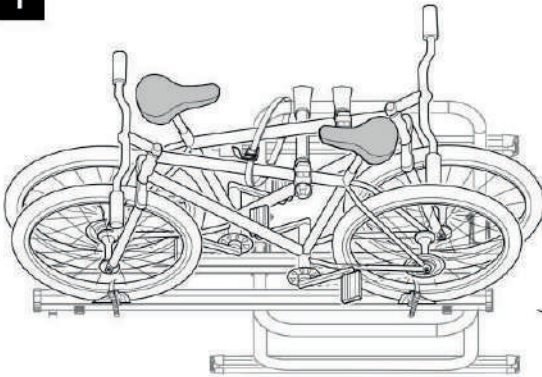
4



x1



i

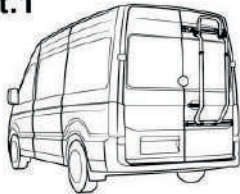


i

Alt.1



x4



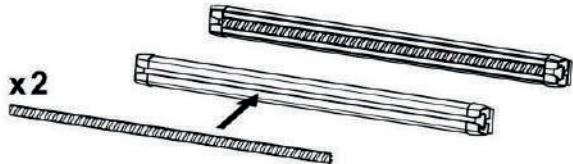
x2

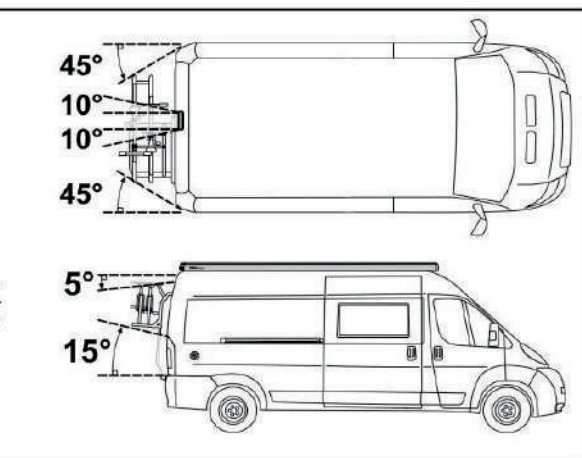
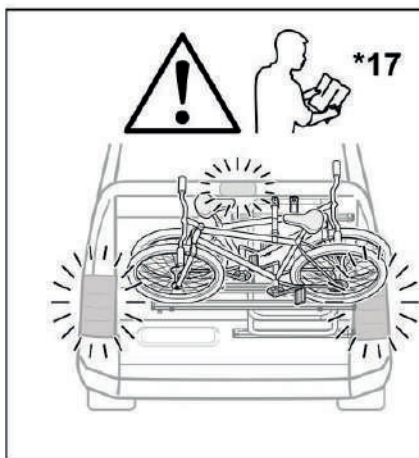
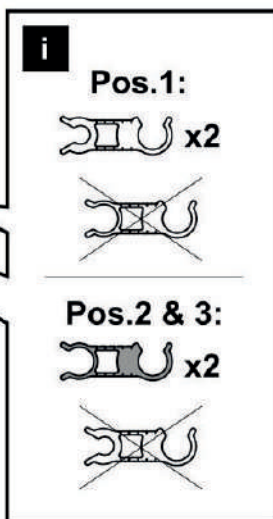
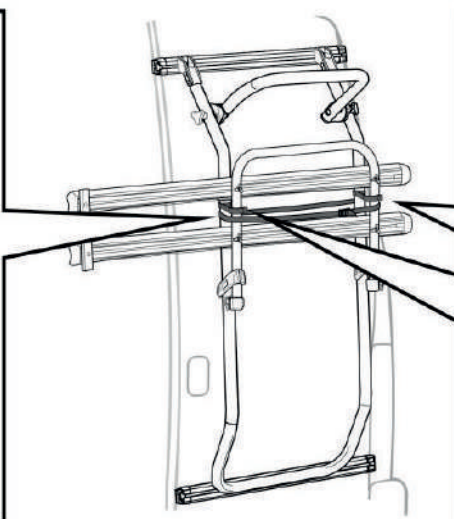
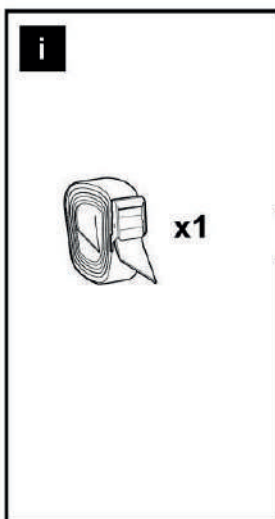
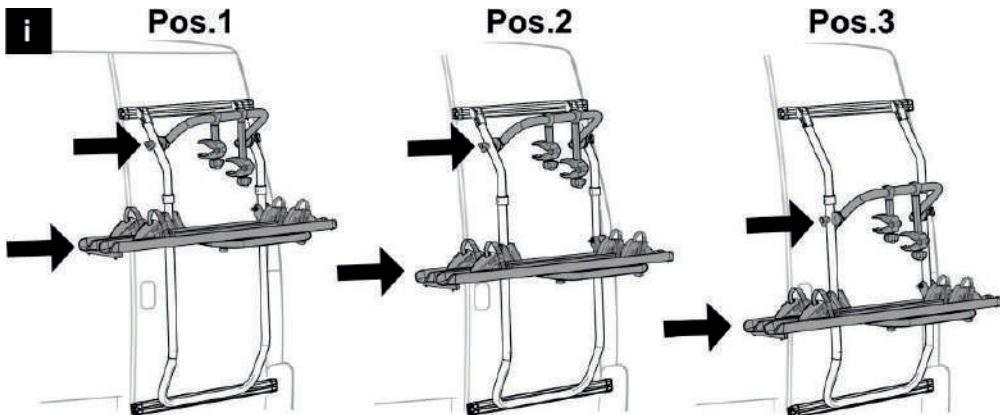


Alt.2



x2





Thule Elite Van XT Black for Mercedes Sprinter and VW Crafter <2017

Product nr. ■■■802043

Document nr. MH915-01 // 501-8217-01

EN Technical specifications

Bike-carrier unit weight: 10,5 kg

Permitted load capacity: max 35 kg

Safety instructions

1. Thule absolves itself of responsibility for any personal injuries or consequential damage to property or wealth caused by incorrect fitting or use.
2. The bike carrier shall be assembled and fitted securely in accordance with the instructions.
3. Firstly check that the wall - where the bike carrier is to be placed - is solid. If not, please reinforce.
4. * Preparation and sealing according to the prescripts of the glue supplier. Wait 48 hours before loading the bike carrier.
5. The bike carrier or the transported goods are not allowed to hide the vehicle's rear light & license plate.
6. The vehicle driver is solely responsible for ensuring that the product is in faultless condition and that carrier and load is securely fastened.
7. Always position the biggest/heaviest bike first and closest to the car, and then position the smaller/lighter bike.
8. Before departure all loose parts should be taken off the bikes, like child seats, baskets, locks and cycle pumps etc. The bikes should contain no loose items during transport and cause danger to others.
9. Always secure all bikes to the bike carrier frame using the included long strap.
10. Check that belts and other fasteners are secure, retighten if necessary.
11. The vehicle's total length increases when the bike carrier is attached. The bikes themselves may increase the vehicle's total width and height. Take especial care when reversing and/or entering garages or ferries etc.
12. Replace any damaged or worn parts immediately.
13. The car's on-road behavior may change especially when taking curves and during braking when the product is fitted.
14. Applicable speed limits and other traffic regulations shall always be followed.
15. Speed should always be tailored to suit safety considerations with regard to traffic conditions and the load being carried.
16. If projecting more than 40 cm beyond the outer edge of the light emitting surface of the clearance resp. position lamps of the rear mounted carrier, the load shall be provided to the front with a white lamp at the side not more than 40 cm from its edge and not more than 1,5 m above the lane. A red lamp shall be visible towards the rear.
17. * The fitted rear mounted carrier or the transported goods are not allowed to cover the vehicle's third brake light (ISO). The vehicle's brake light shall be visible from the left and the right sides as follows: relative to the vehicles longitudinal axis at a 10 degree horizontal angle, upwards; relative to the upper edge of the lamp – at a 10 degree vertical angle downwards, relatively to the lower edge of the lamp at a 5 degree vertical angle. If these values are not met, an optional replacement brake light shall be fitted.
18. The carrier is constructed to carry standard-bike-frames. Tandem bikes may not be carried.
19. Modifications to this product are not permitted.
20. Clean the bike carrier regularly using warm water or car shampoo, especially when using / after using at coasts (salt-water) or during times when salt on roads is being used (winter).
21. Check that the bike carrier is securely fitted after driving a short distance (50km) and thereafter at regular intervals.
22. Keep the instructions safely in the car.

Thule Elite Van XT Black for Mercedes Sprinter and VW Crafter <2017

Product nr. ■ 802043

Document nr. MH915-01 // 501-8217-01

526000 Locking Knob



538000 Locking Wire



307389 Strap Lock

