

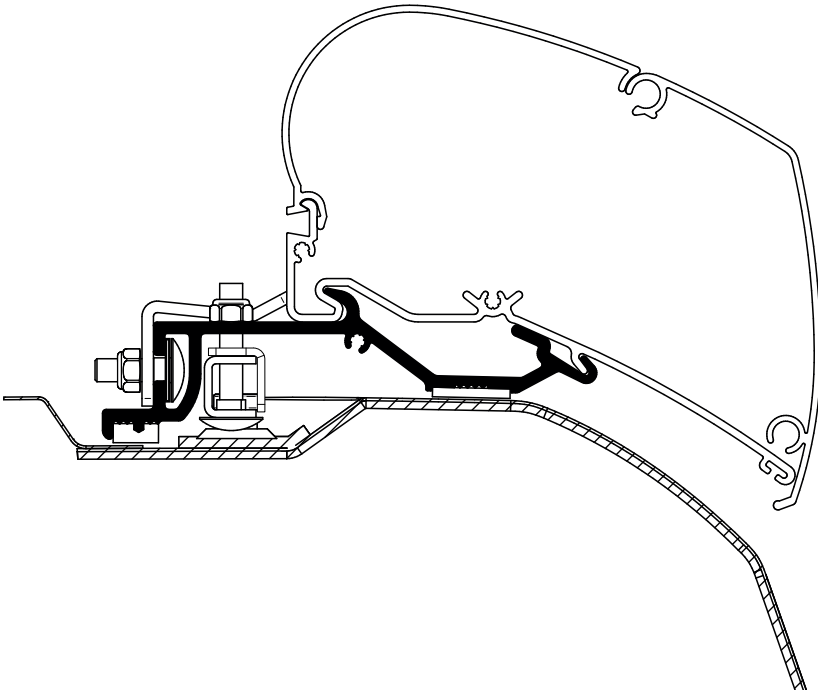
INSTALLATION

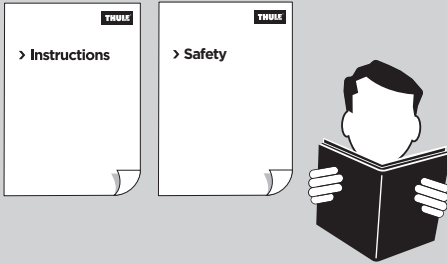
# ➤ Instructions

## Awning Adapter Roof

### Ducato/Jumper/Boxer >2007

301649-301650





## 1 WARNINGS & INFO

Warnungen & Info

4

## 2 FITGUIDE

Anwendungstabelle

5

## 3 CONTENT

Inhalt

6

## 4 TOOLS

Werkzeuge

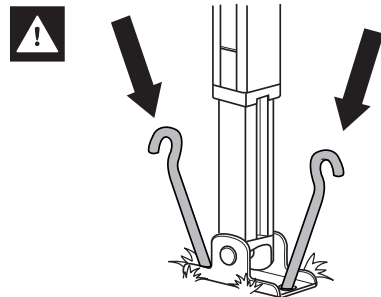
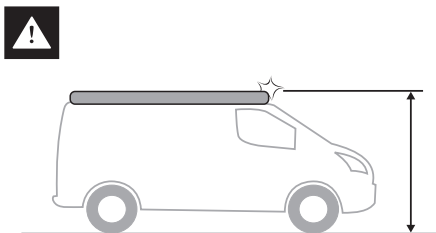
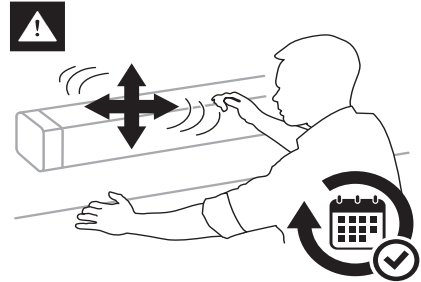
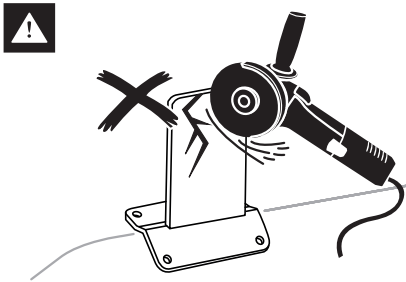
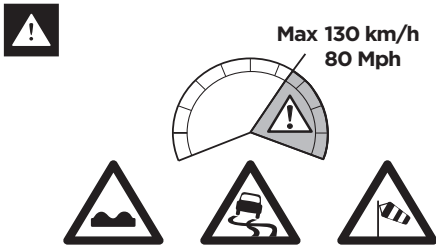
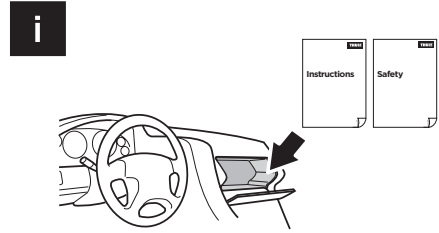
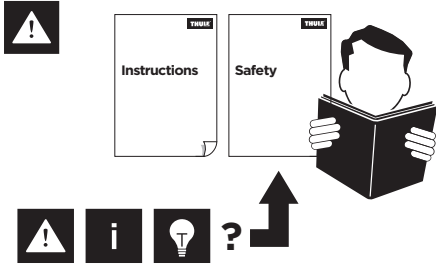
7

## 5 INSTALLATIONS

Installation

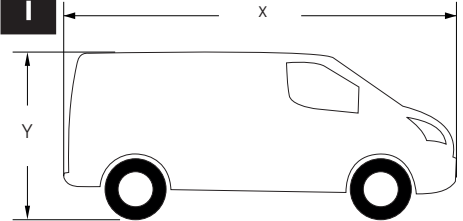
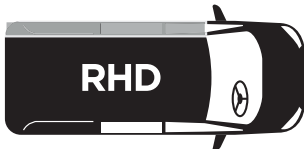
7

# 1 WARNINGS & INFO



## 2 FITGUIDE

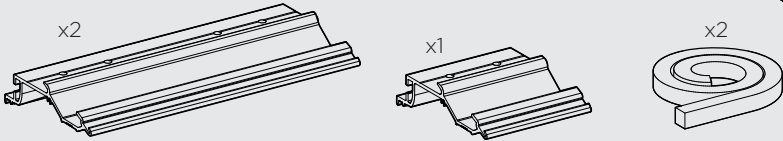
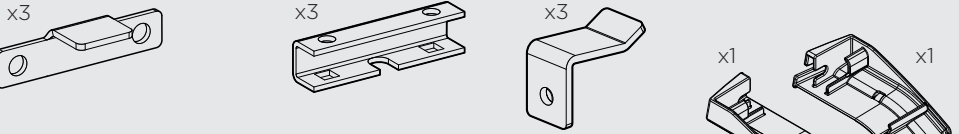
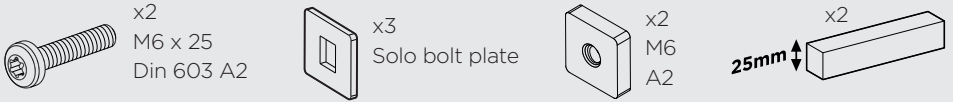
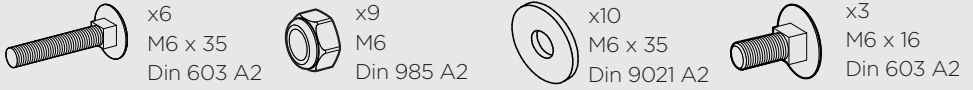
BRAND	MODEL	YEAR	ADAPTER	AWNING
Fiat	Ducato L2H2	2007 - ...	301649	TO 6300
Fiat	Ducato L3H2		301650	
Fiat	Ducato L4H2		301650	
Citroën	Jumper L2H2		301649	
Citroën	Jumper L3H2		301650	
Citroën	Jumper L4H2		301650	
Peugeot	Boxer L2H2		301649	
Peugeot	Boxer L3H2		301650	
Peugeot	Boxer L4H2		301650	



X		Y	
L2	5.40 m	H2	2.50 m
L3	6.00 m		
L4	6.35 m		

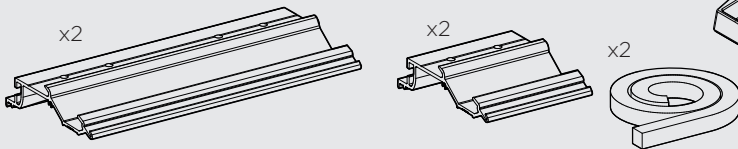
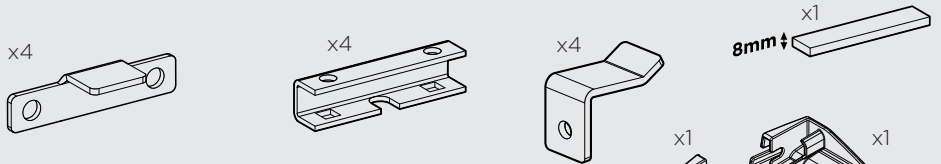
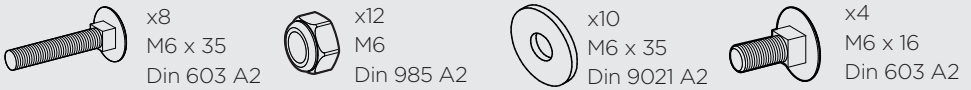
### 3 CONTENT

#### 301649

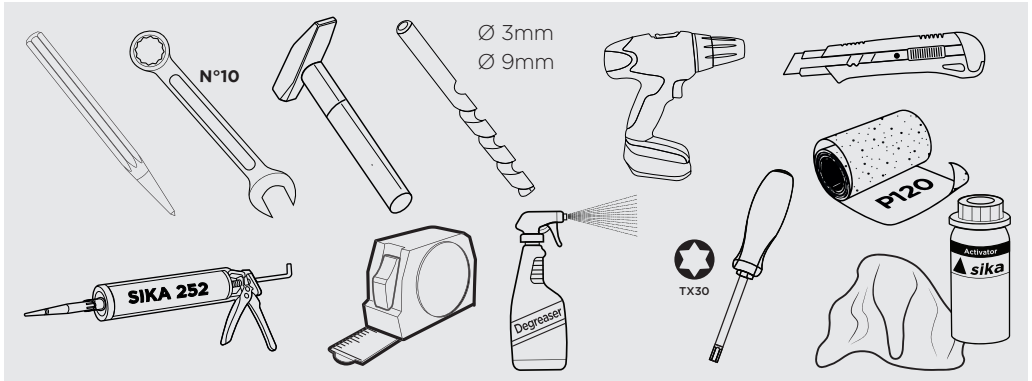


OR

#### 301650

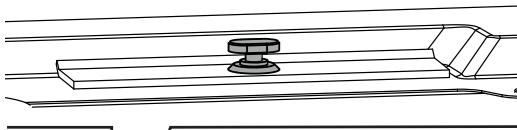


## 4 TOOLS

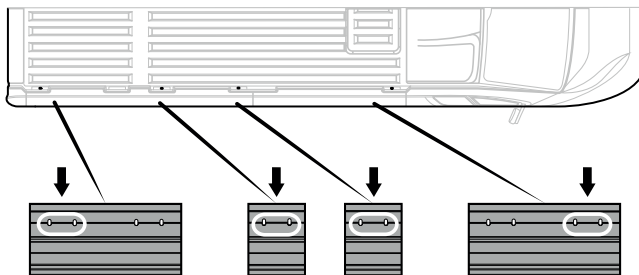
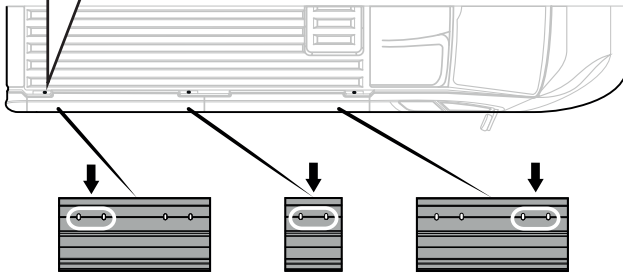


## 5 INSTALLATIONS

i

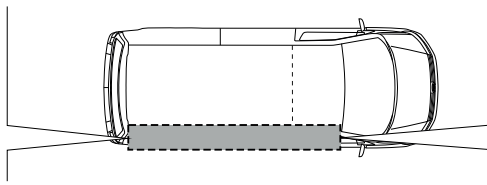


301649



301650

1

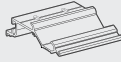


2

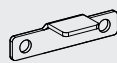
x2



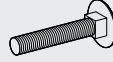
x1 301649  
x2 301650



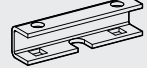
x3 301649  
x4 301650



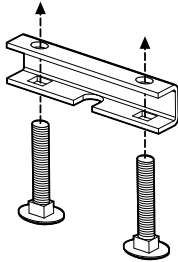
x6 301649  
x8 301650



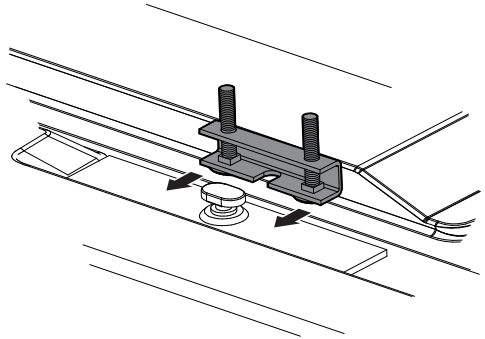
x3 301649  
x4 301650



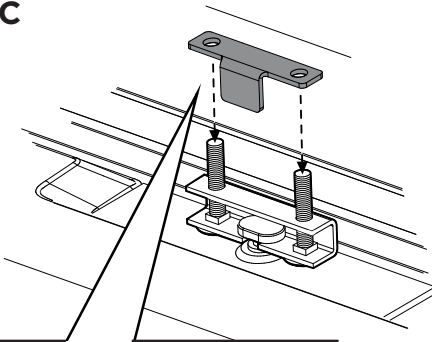
A



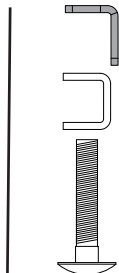
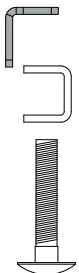
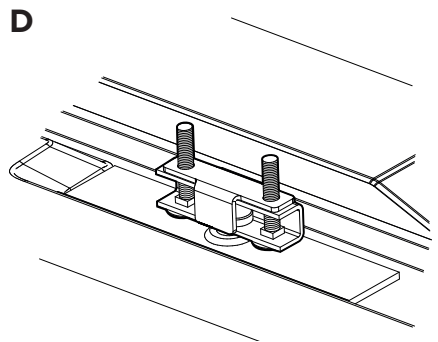
B



C



D



3

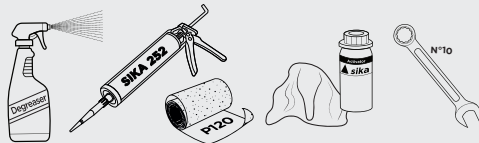
x6 301649

x8 301650

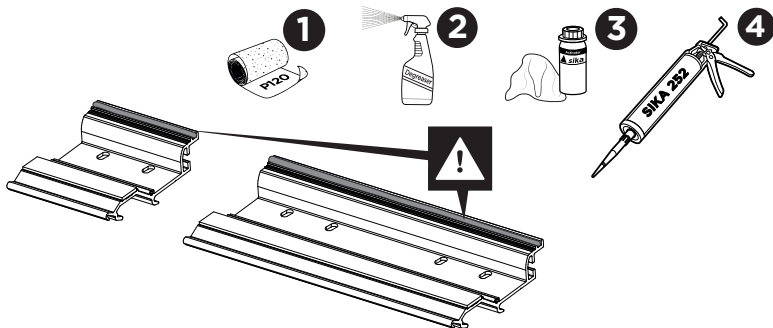


x6 301649

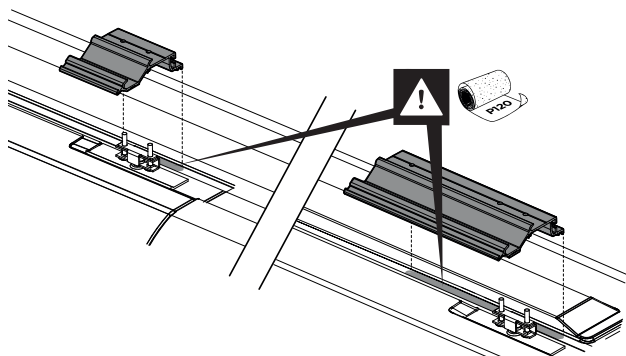
x8 301650



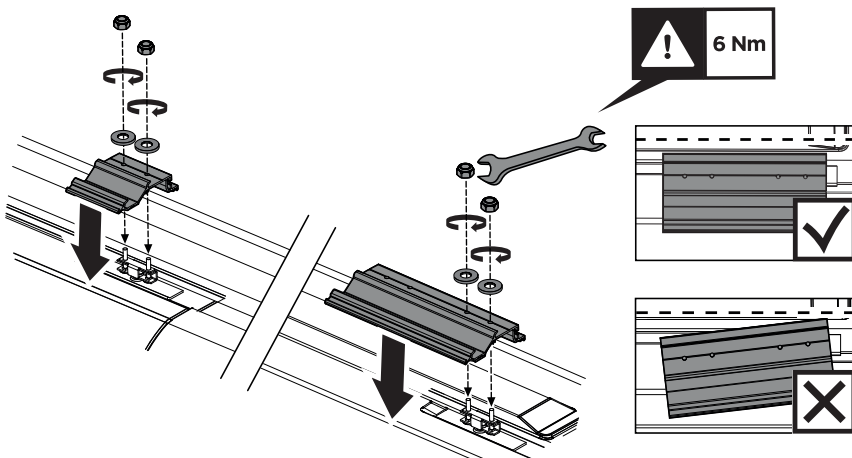
A



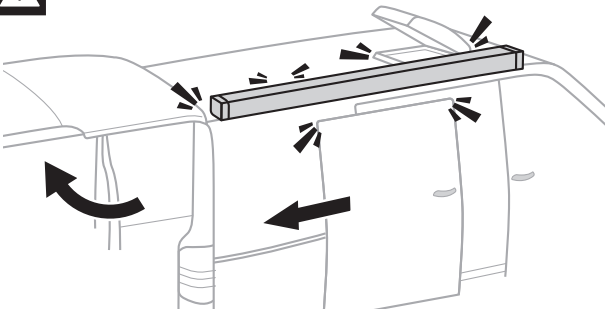
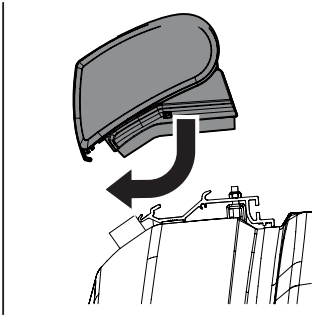
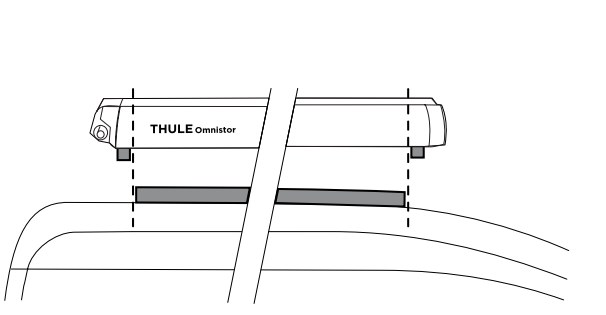
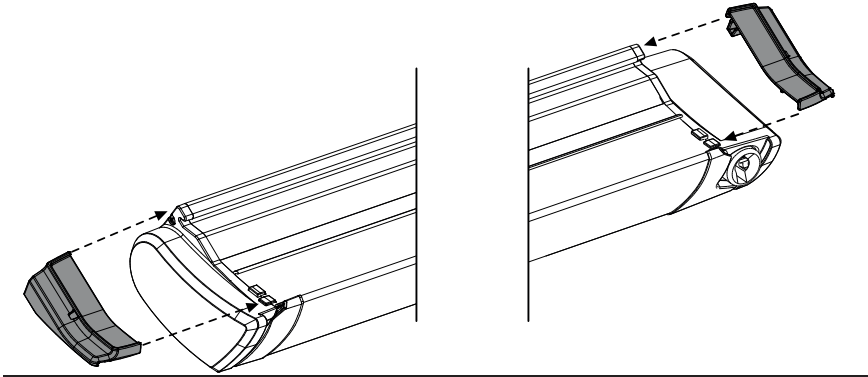
B



C

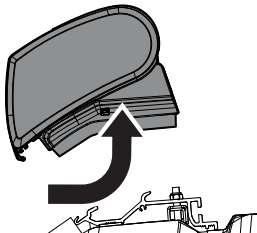




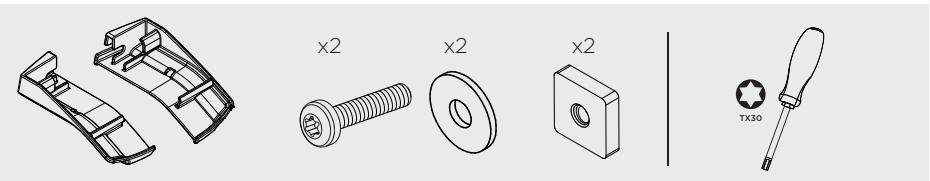


OK?  
 → 5a

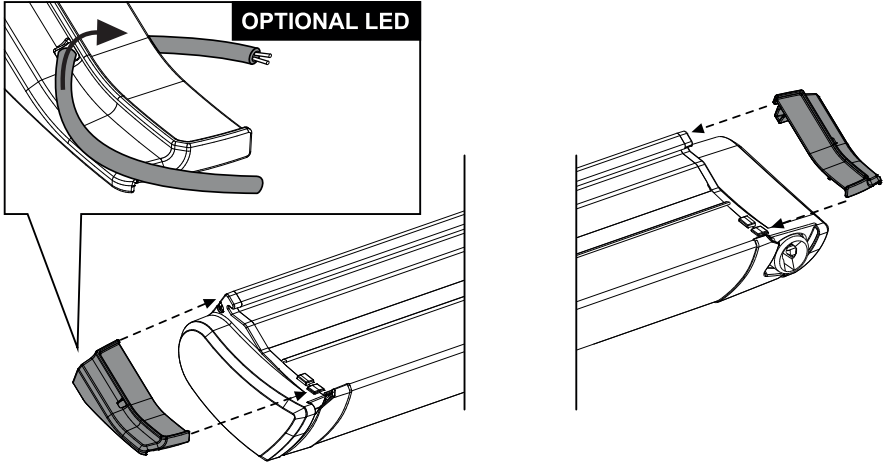
NOK?  
 → 5b



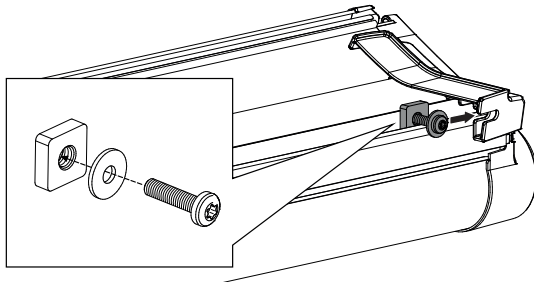
5a



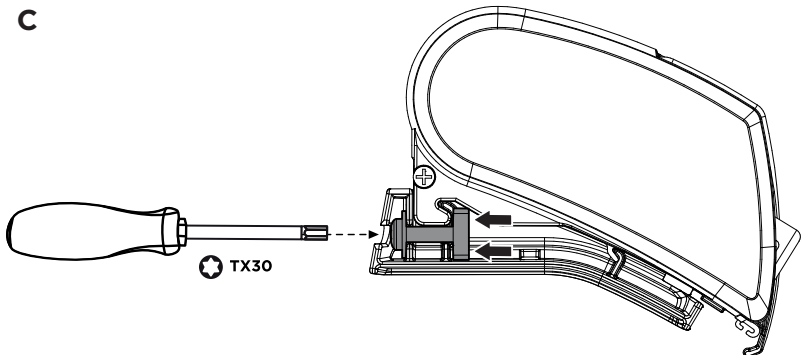
A



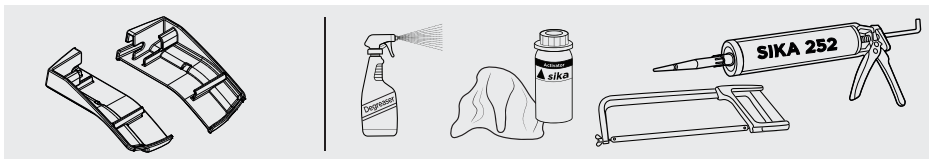
B



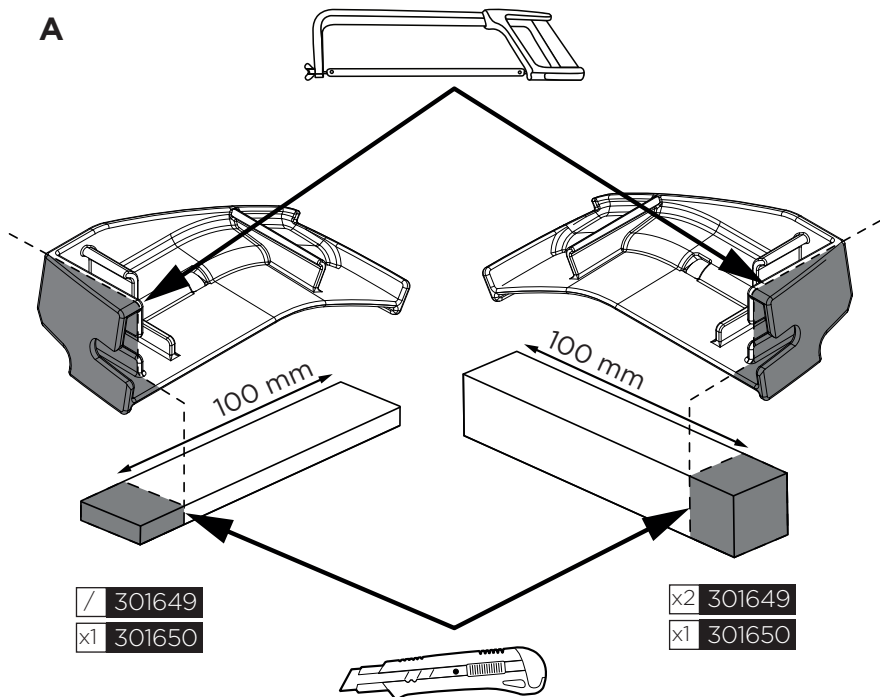
C



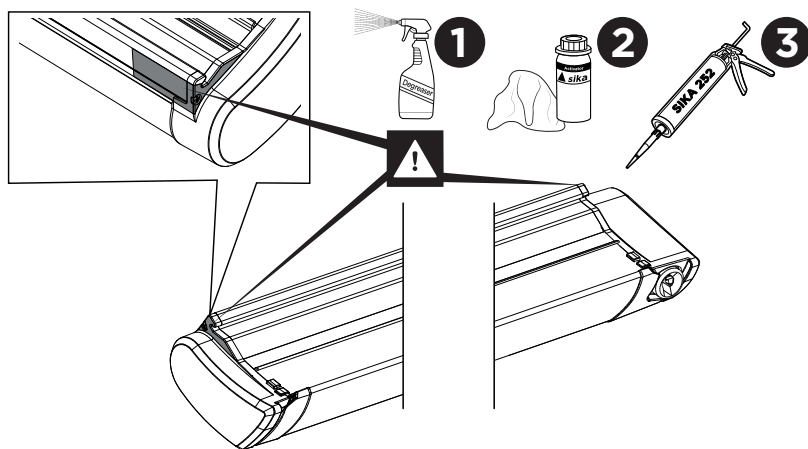
5b



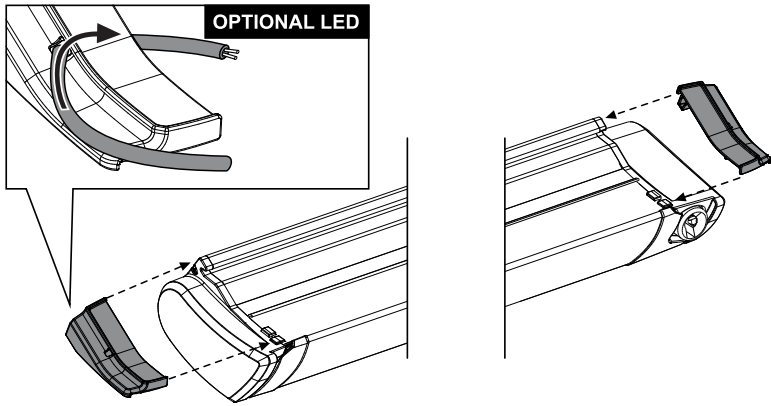
A



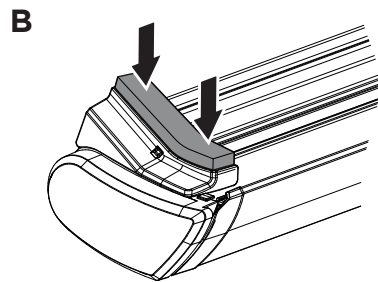
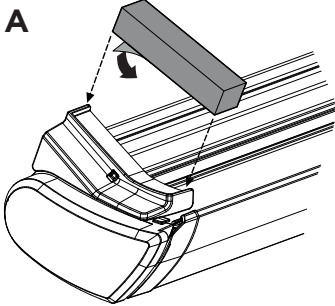
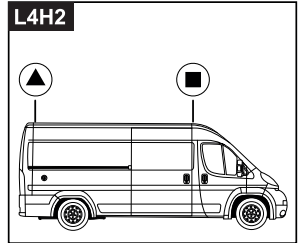
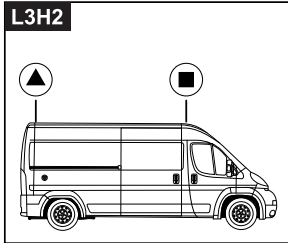
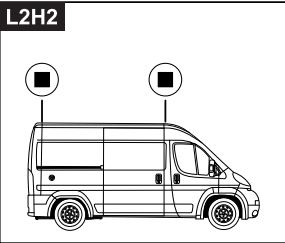
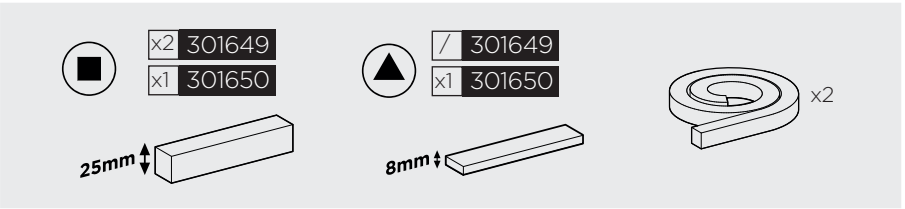
B



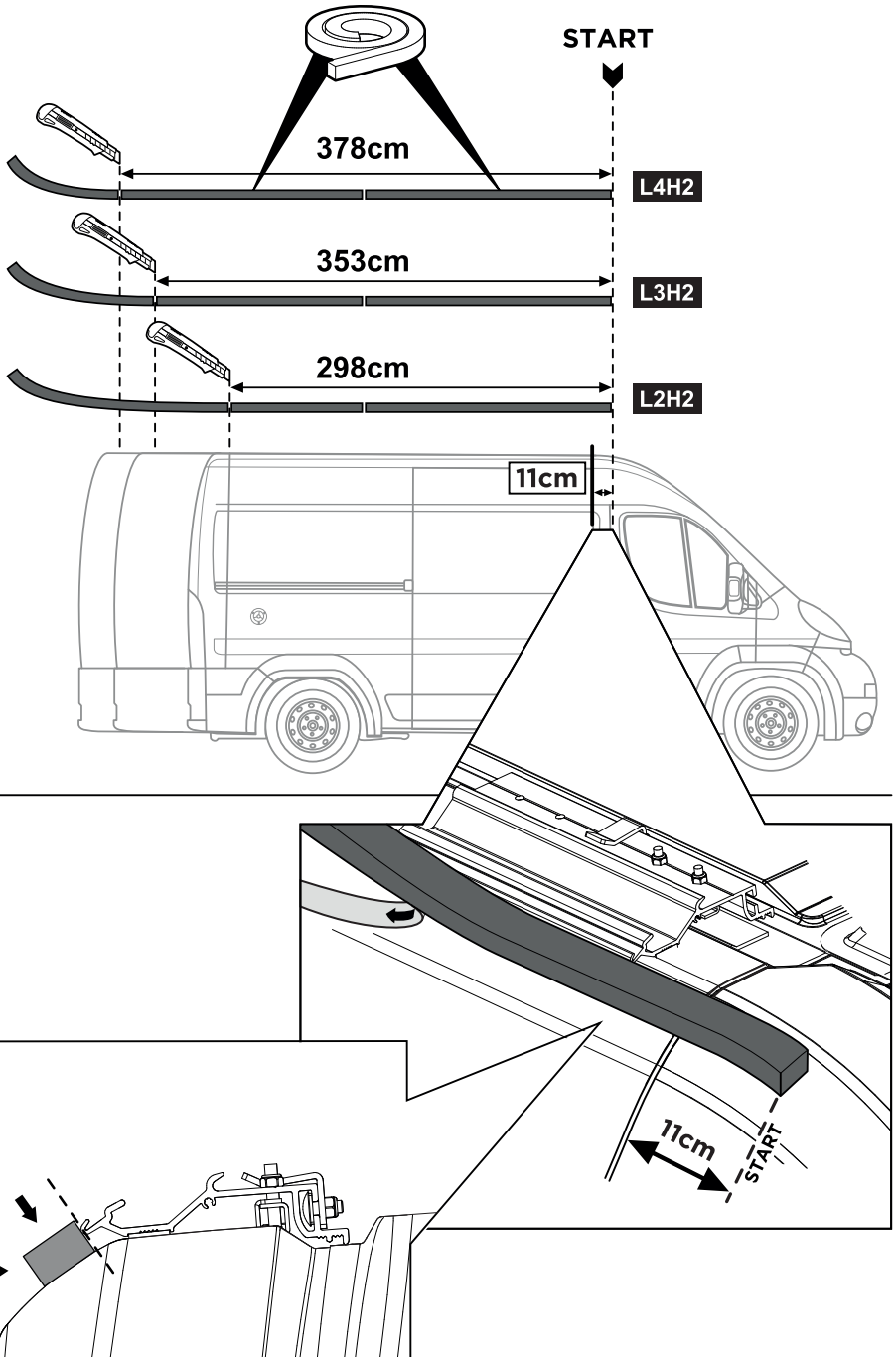
C



6



**B**



x3 301649

x3 301649

x3 301649

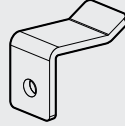
x3 301649

x4 301650

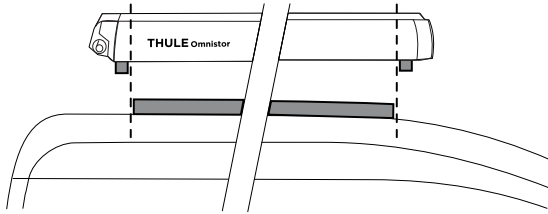
x4 301650

x4 301650

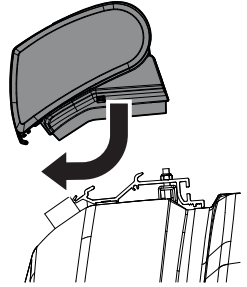
x4 301650



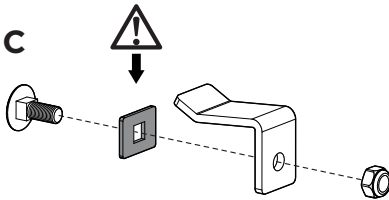
A



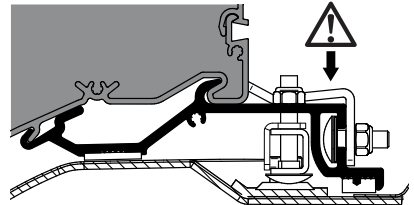
B



C



D



E

