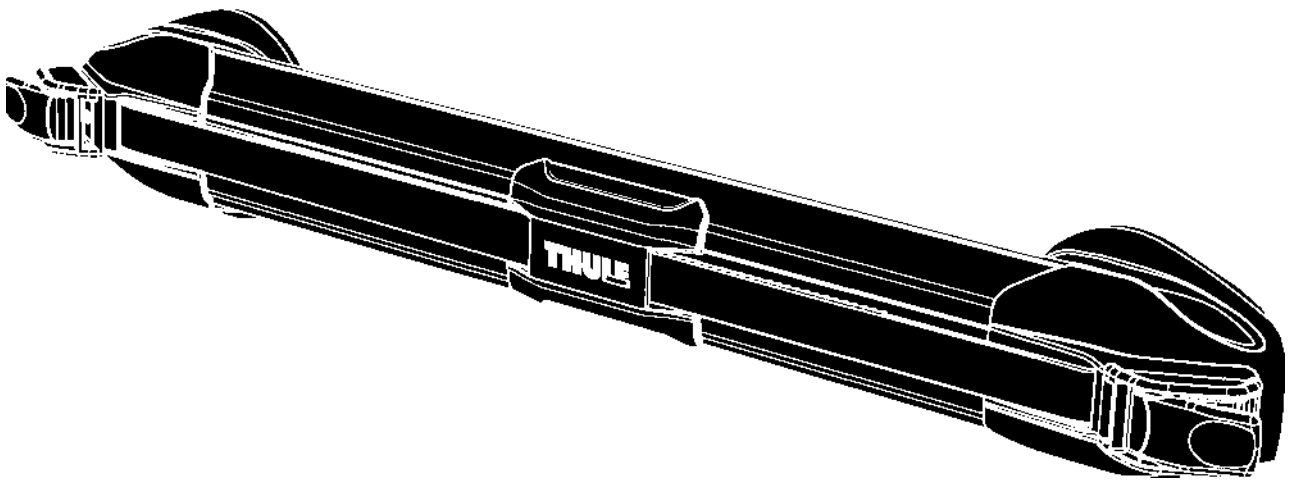


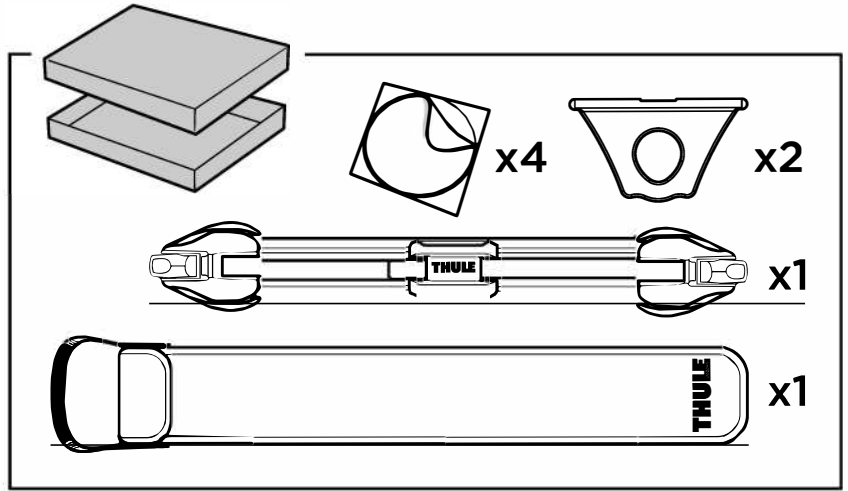
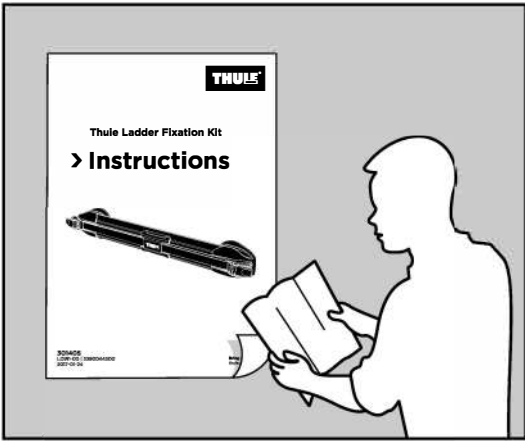


Thule Ladder Fixation Kit

➤ Instructions

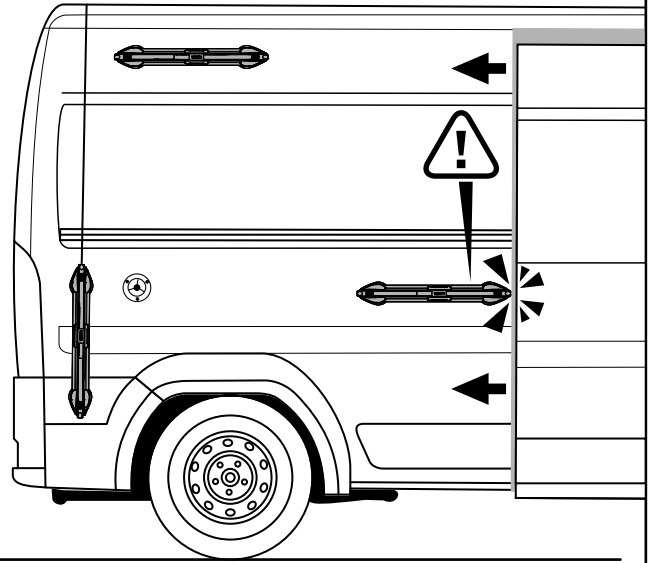
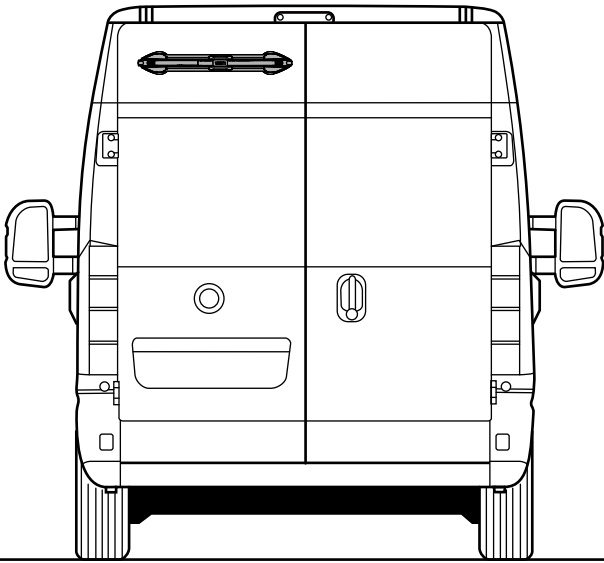


301405

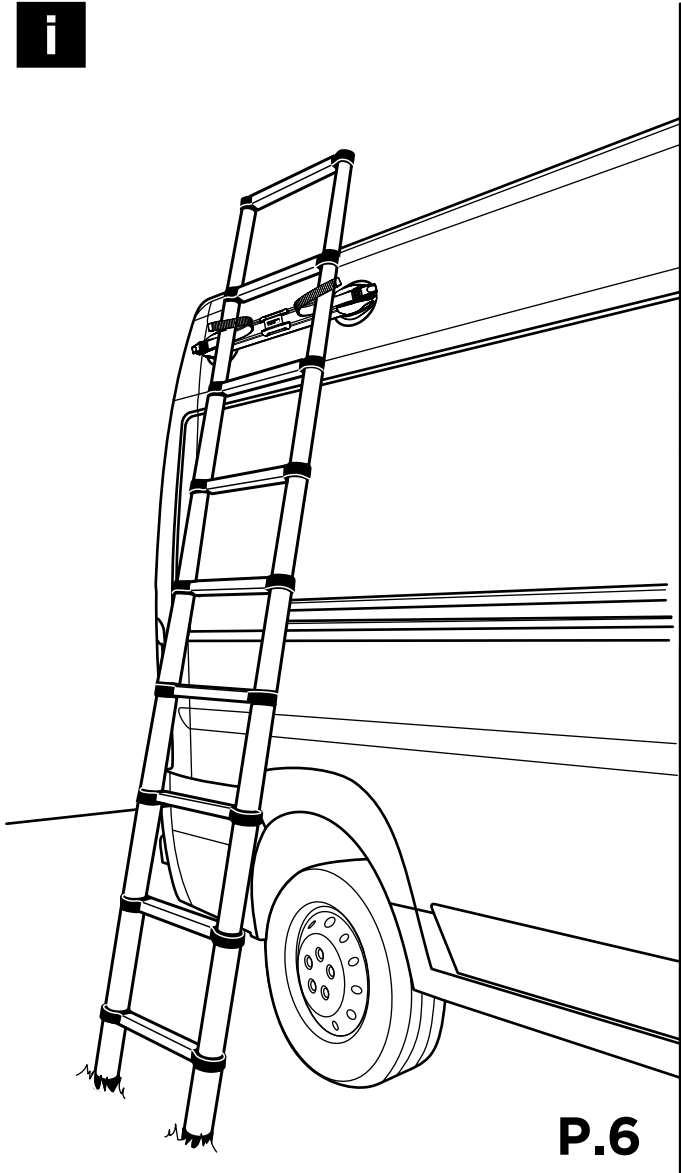


← X →	X
Pacemaker	30cm
Payment card	15cm
Electronics	10cm
Not for children	-
Danger to Crush	-
Don't drive with kit	-

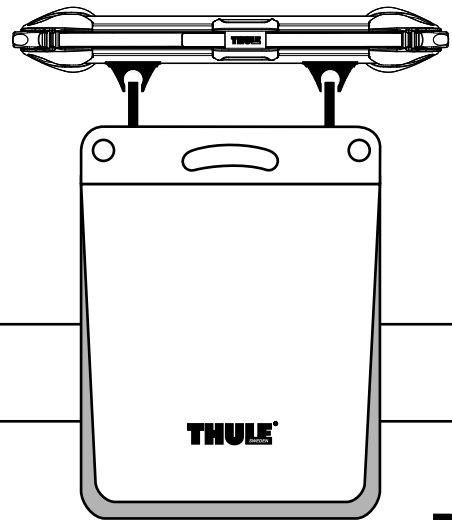
i



i

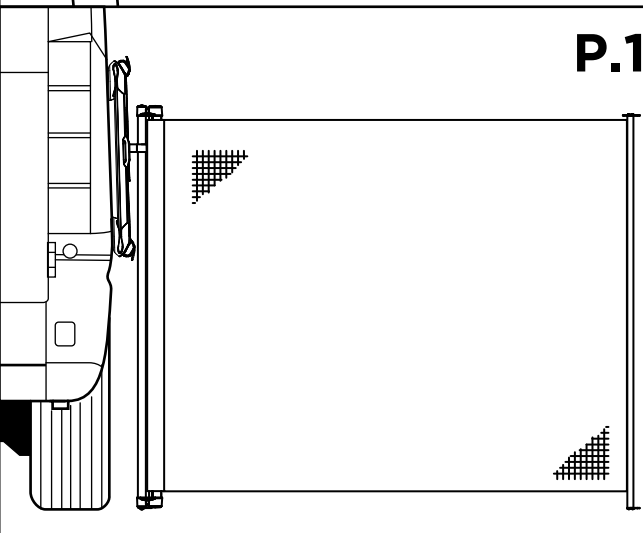


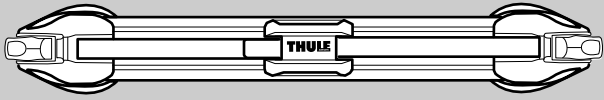
P.6



P.8

P.10

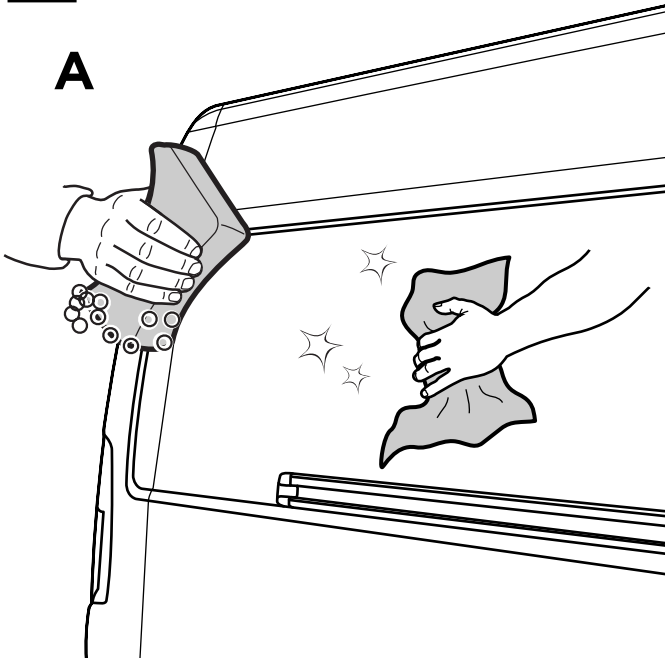




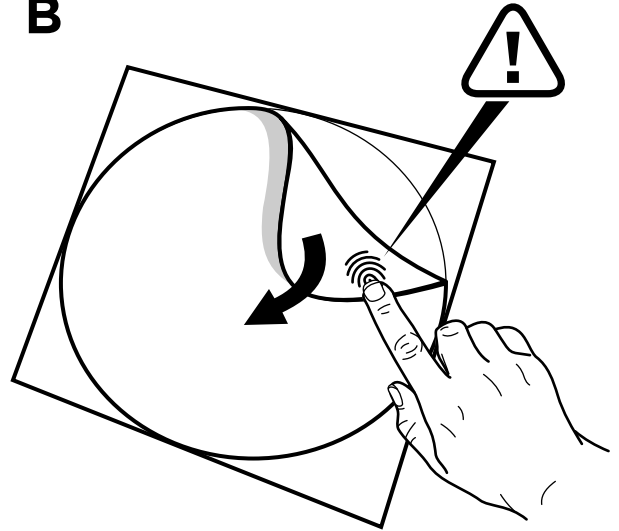
THULE LADDER FIXATION KIT

1

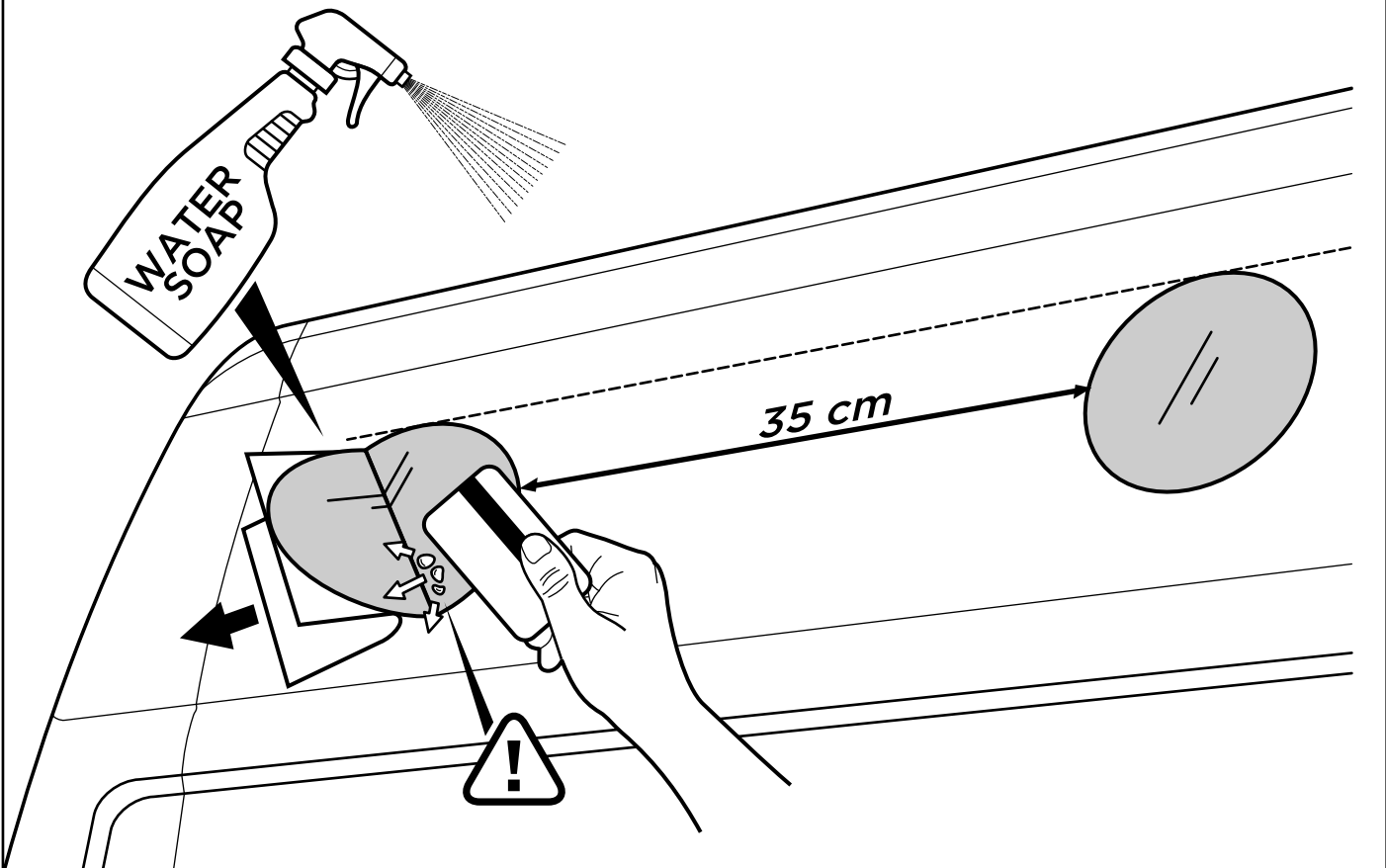
A



B

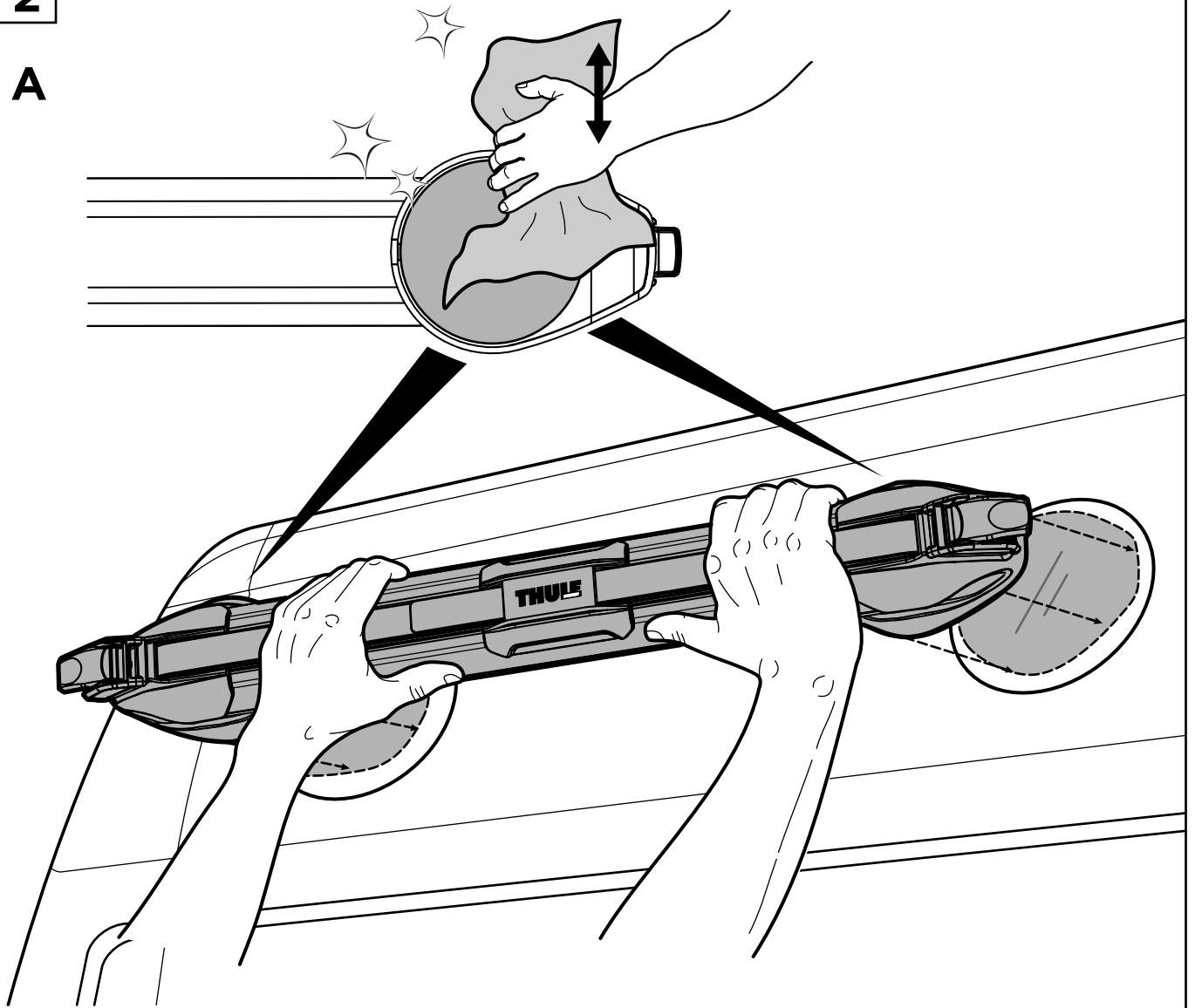


C

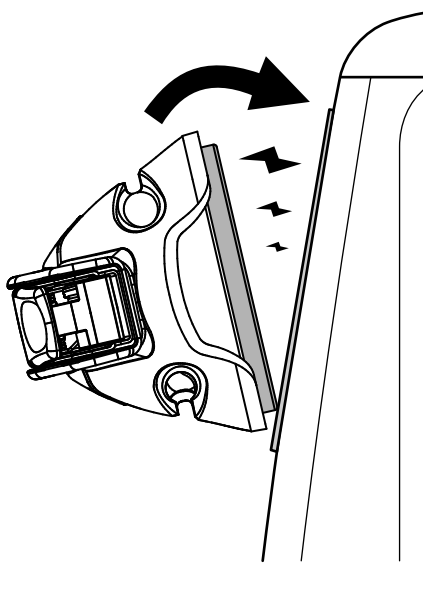


2

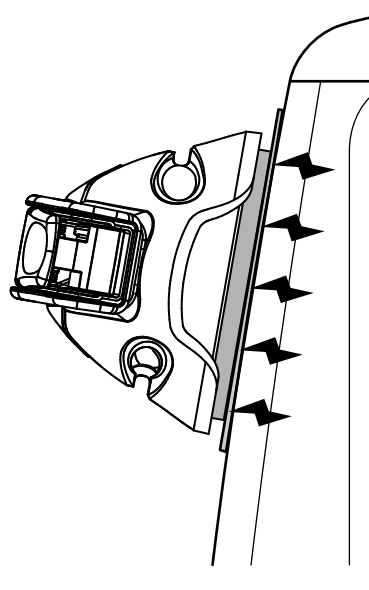
A



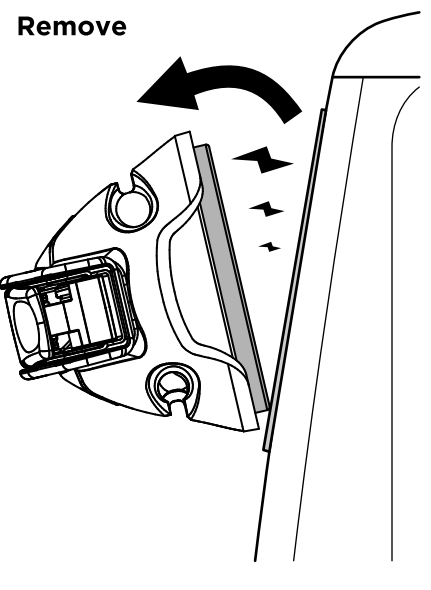
B



C

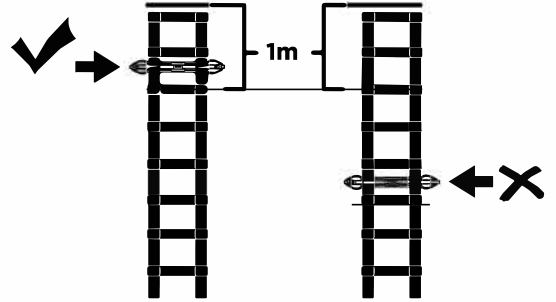
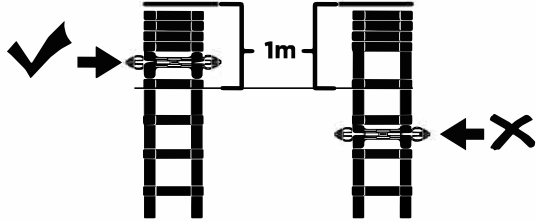


D





THULE LADDER 9 STEPS



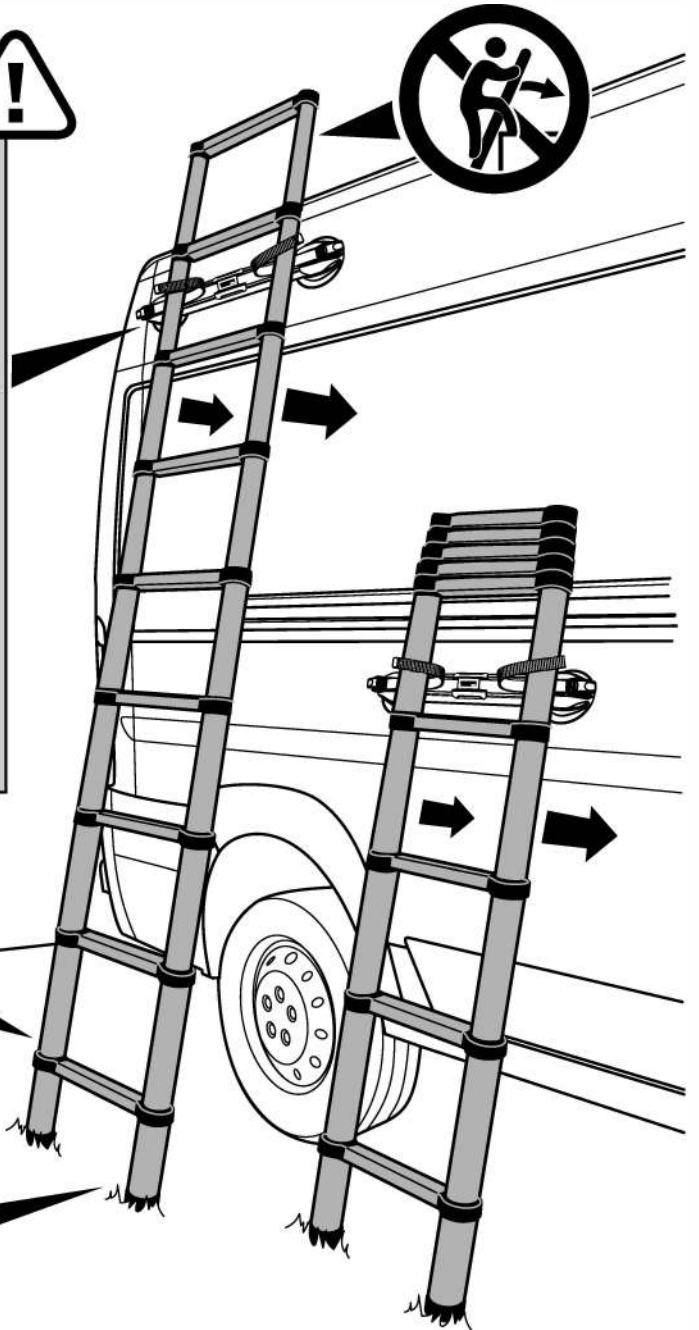
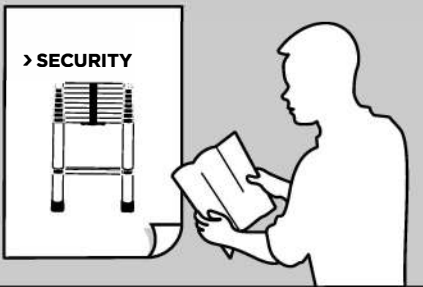
1

EN The magnetic fixation kit is a product that will increase stability of a ladder. However, always follow the safety instructions provided with the ladder.



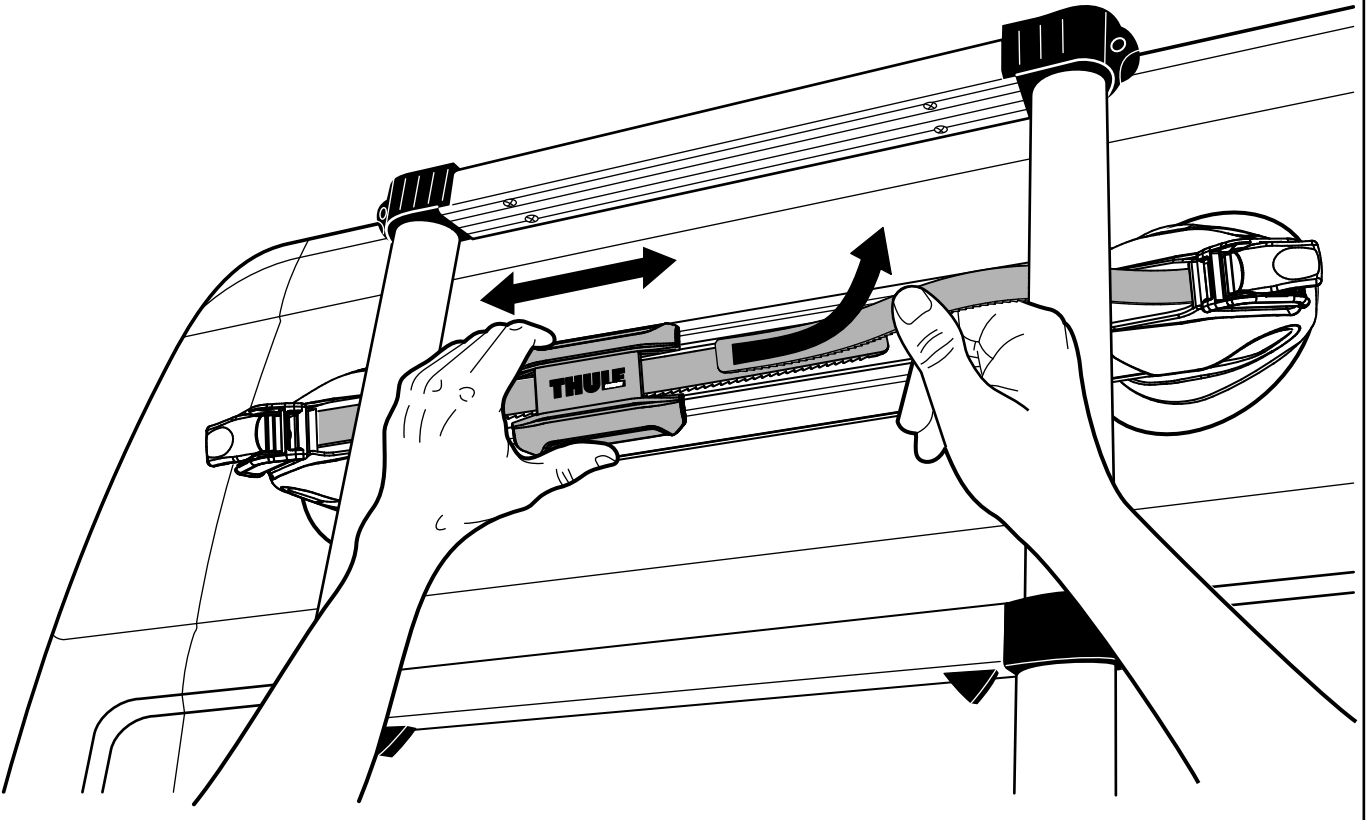
P.11

> SECURITY

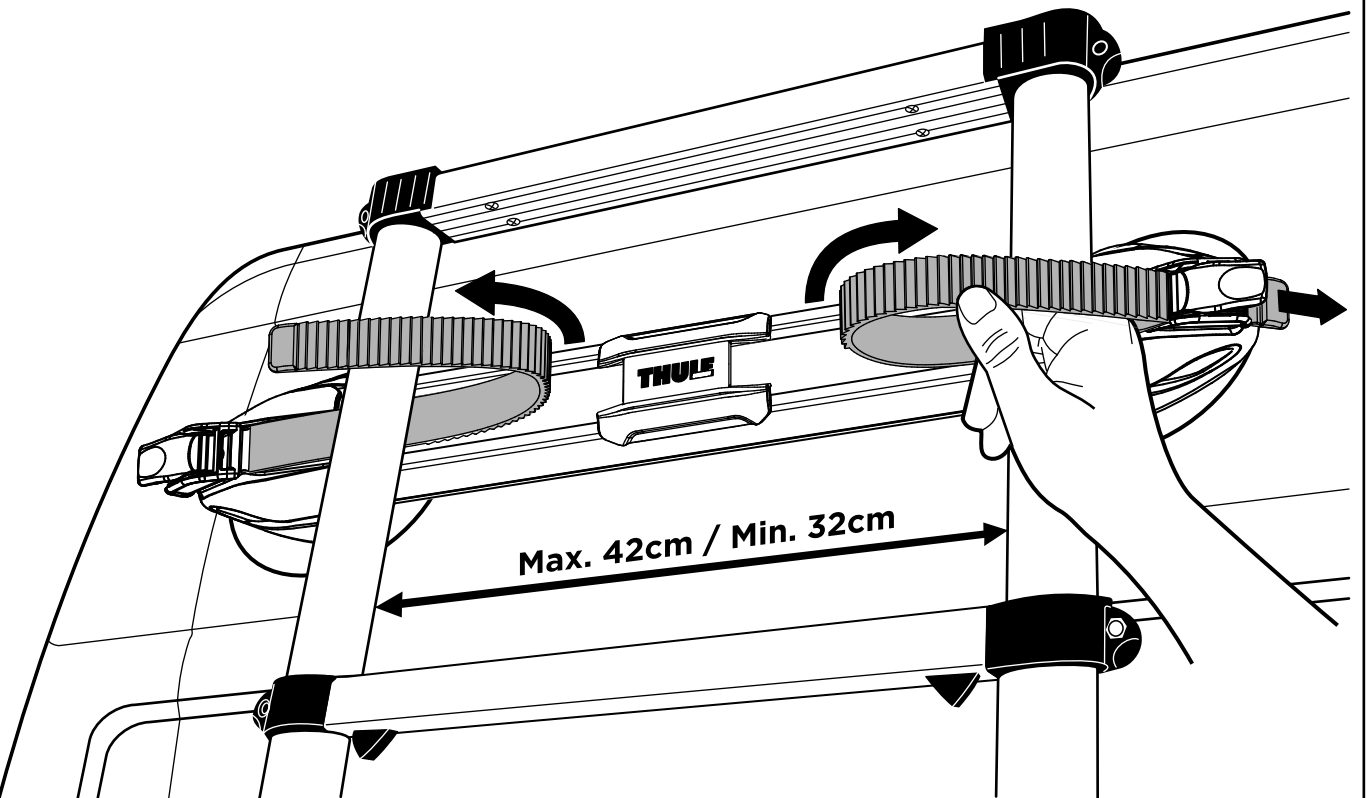


2

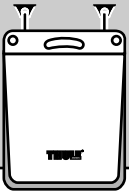
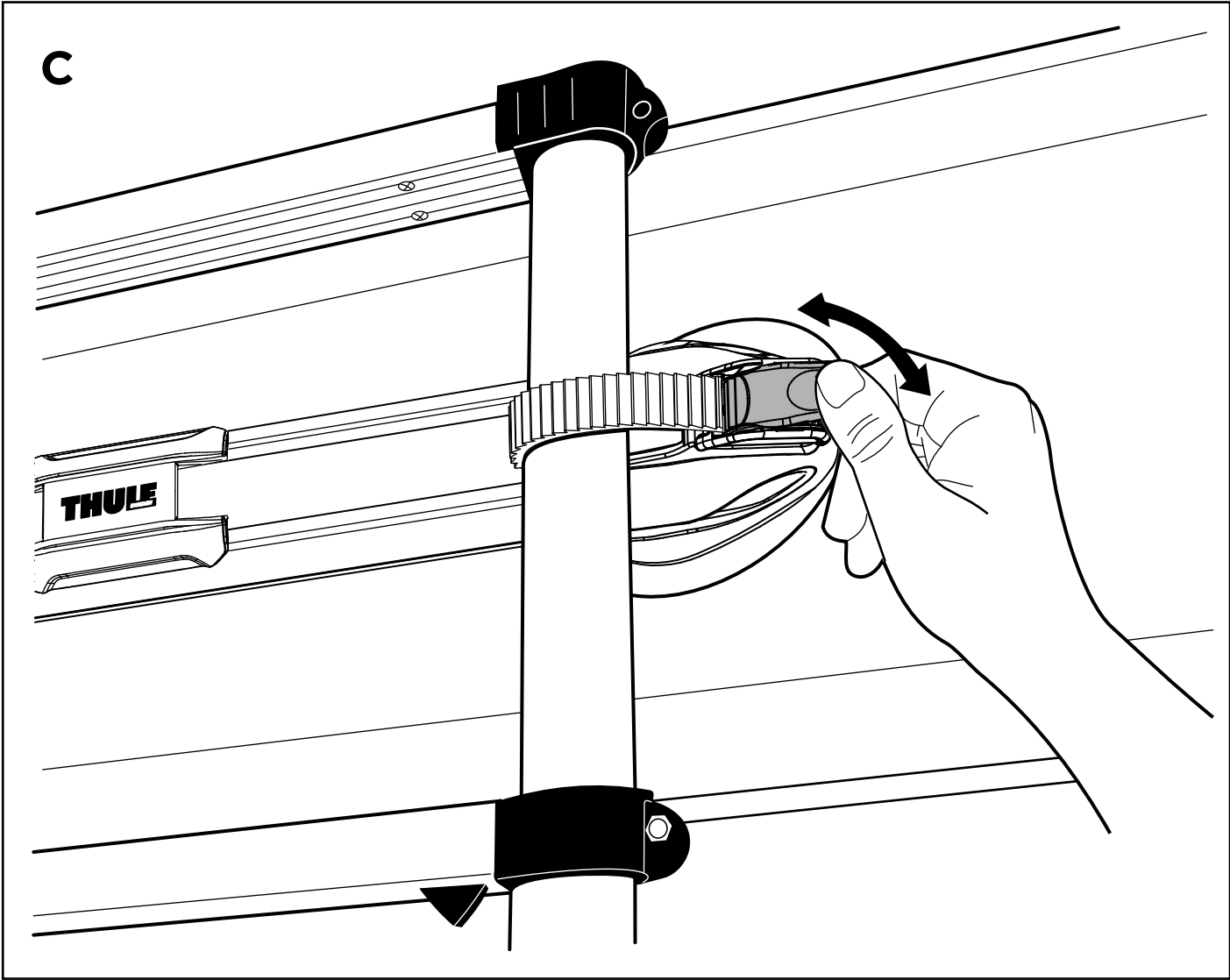
A



B

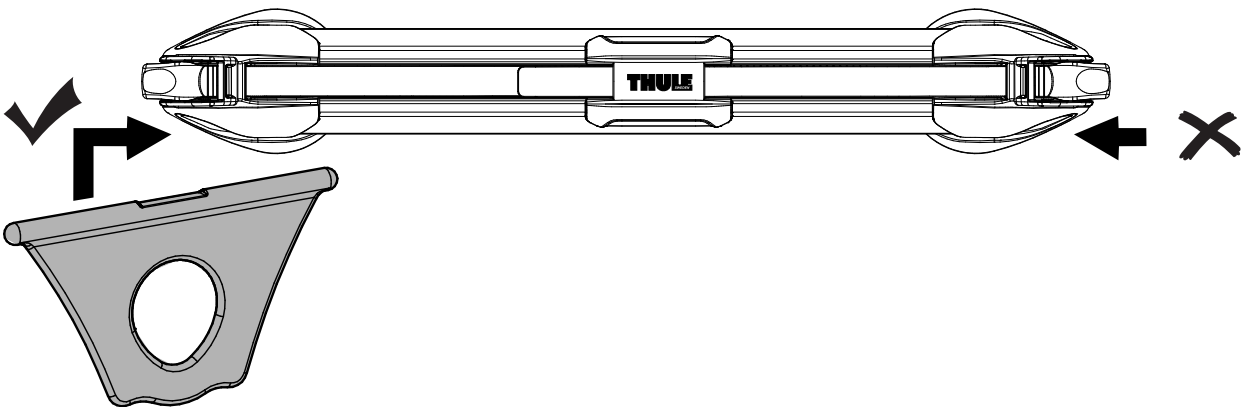


C

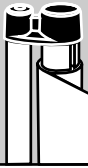
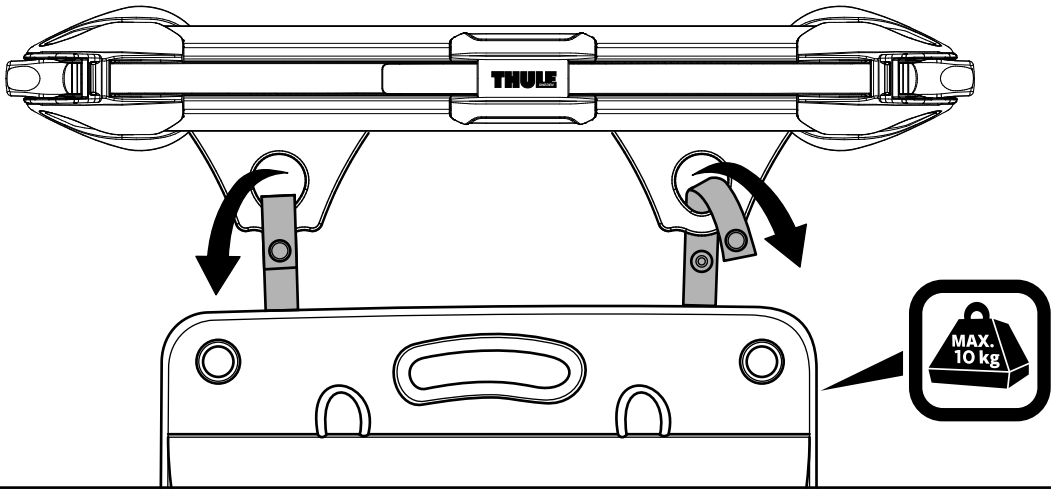


THULE CARGO

1

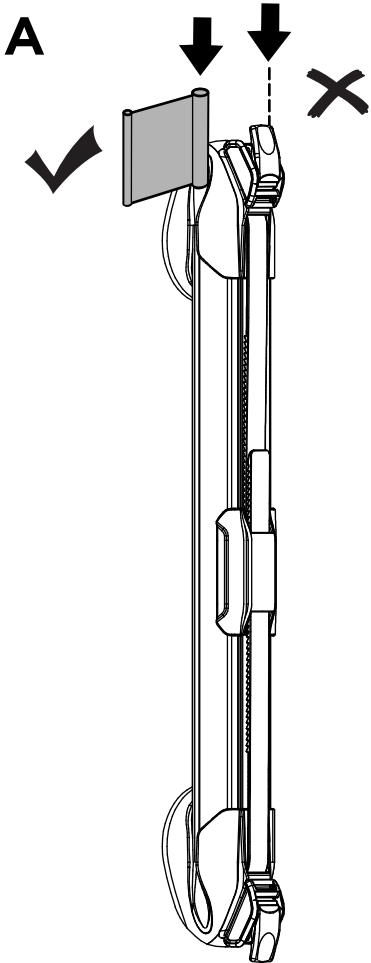


2

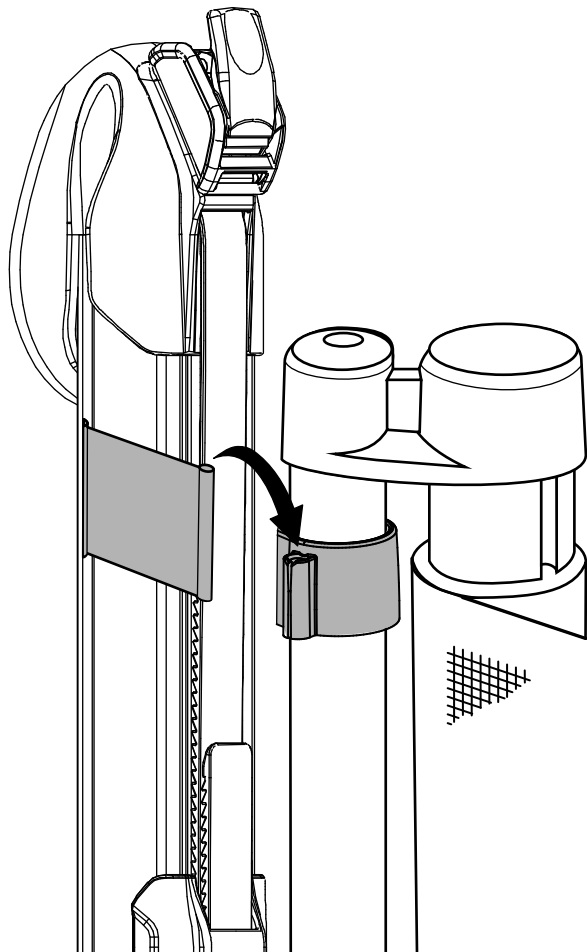


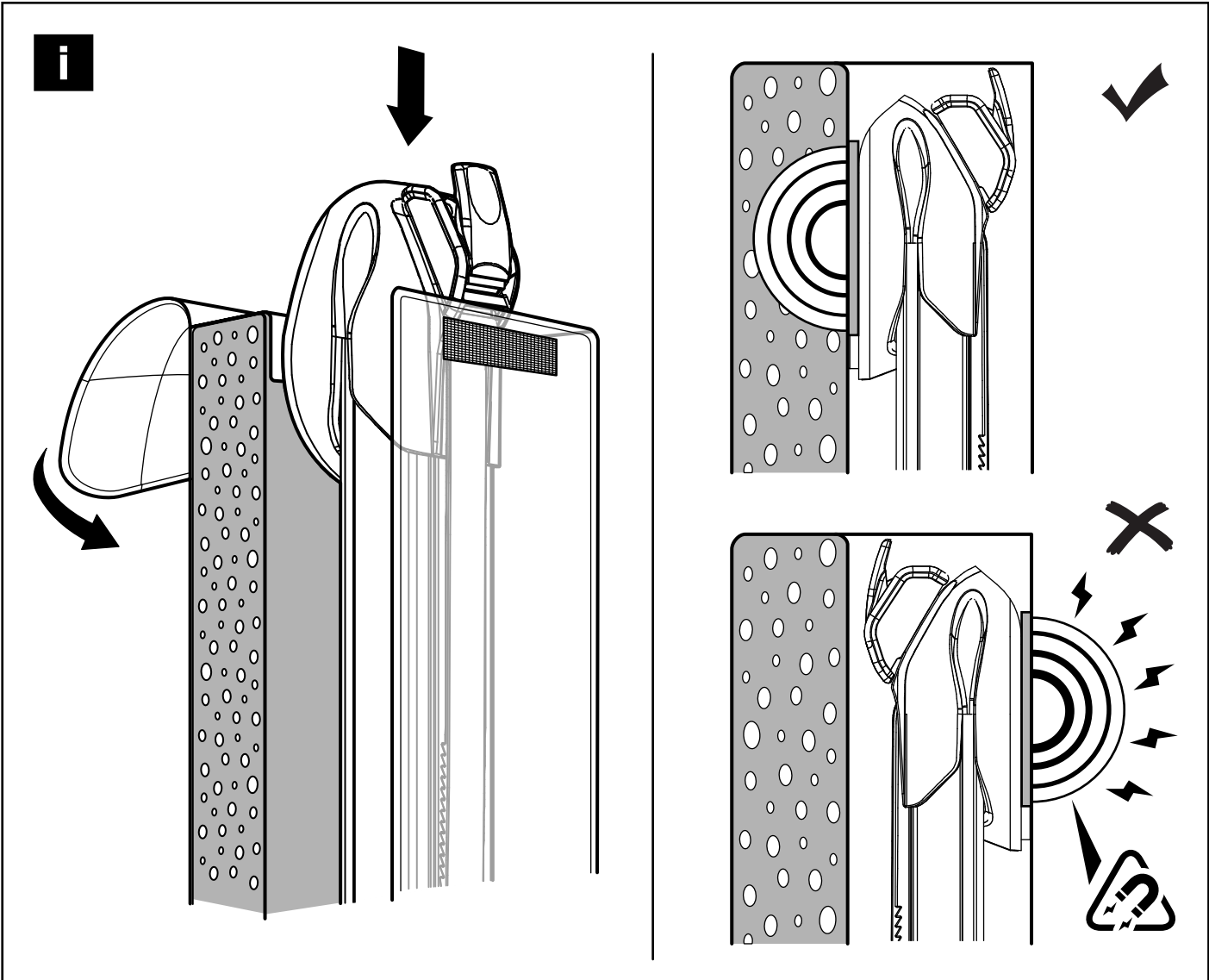
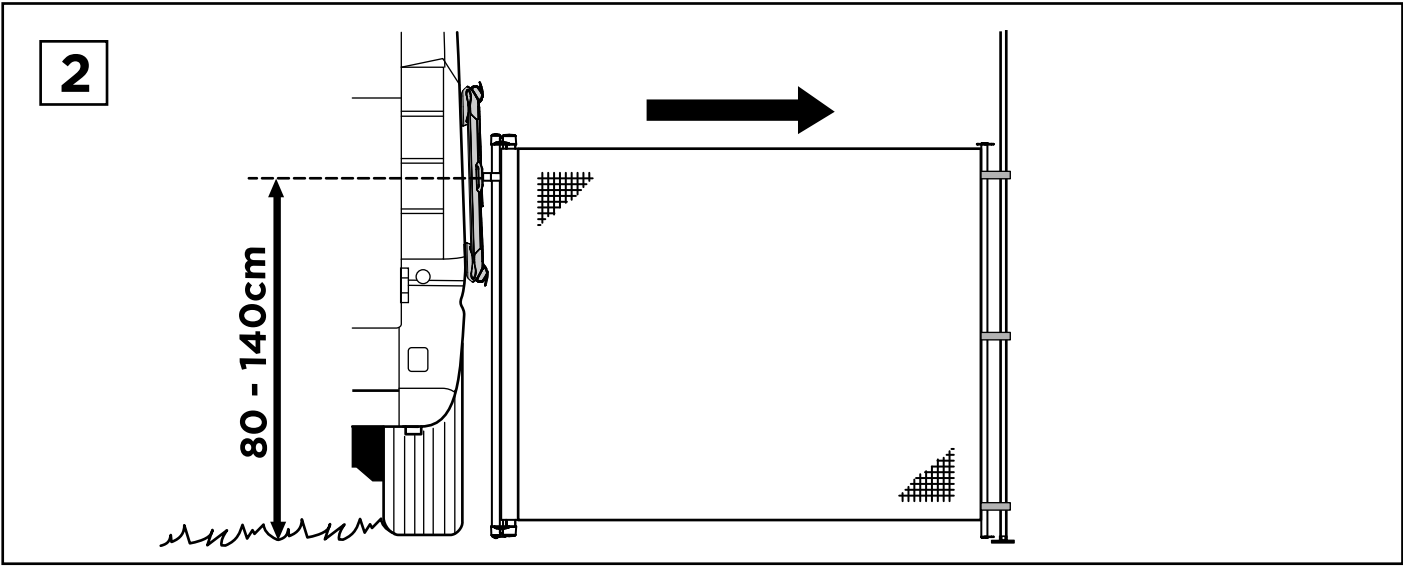
THULE WINDSCREEN

1



B





1500603147

