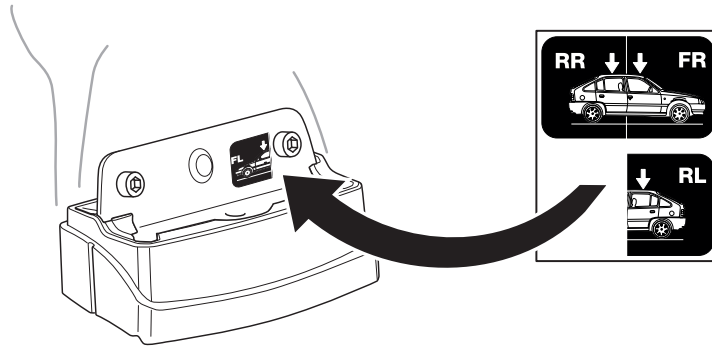
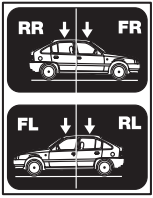
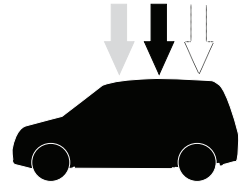
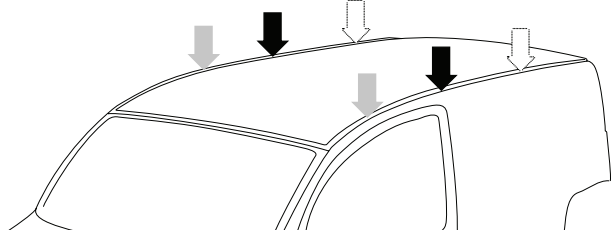
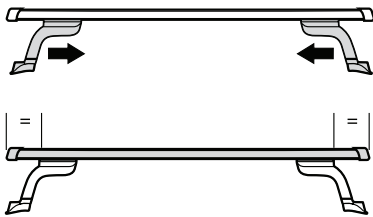
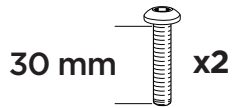


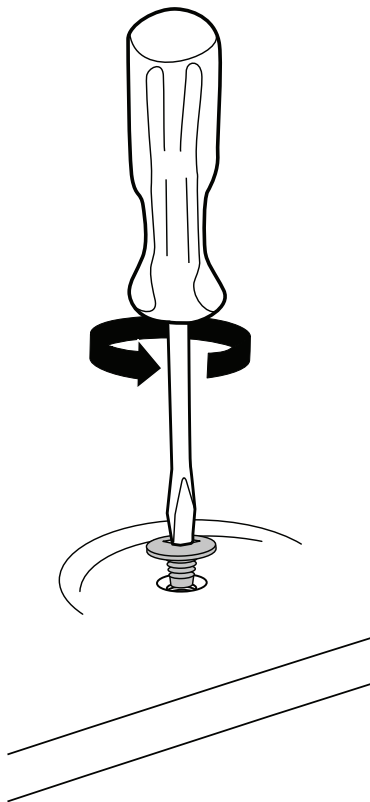
3



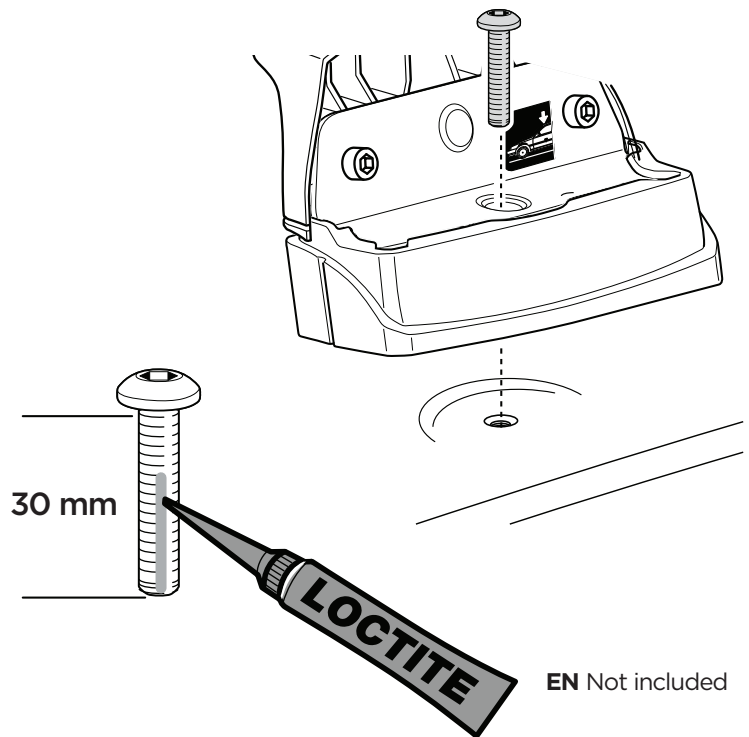
4



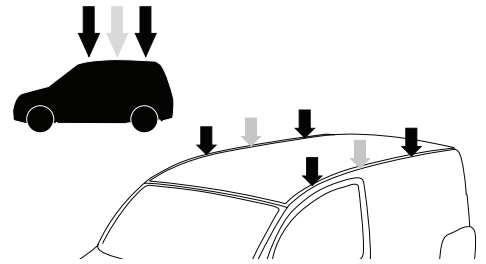
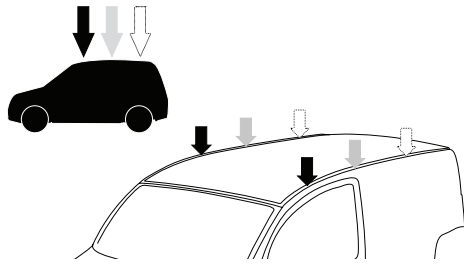
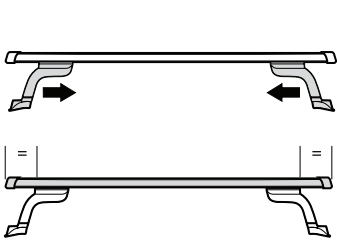
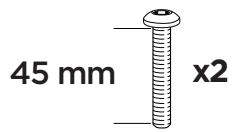
A



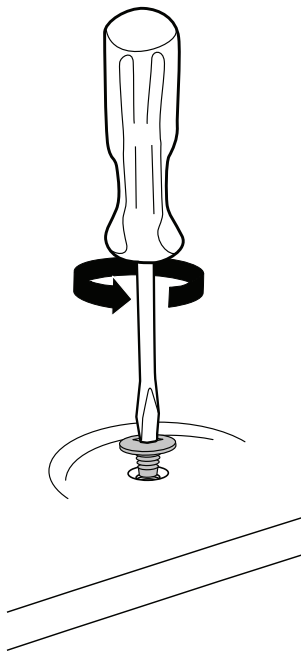
B



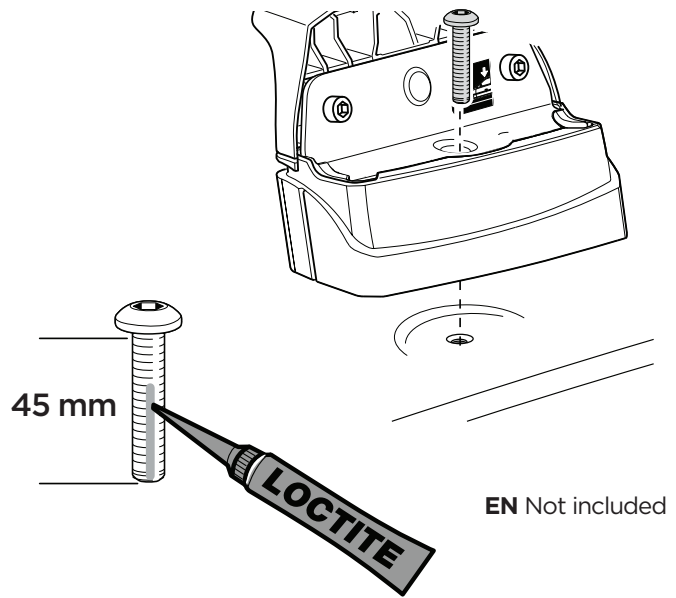
5



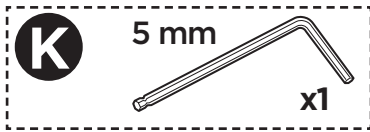
A



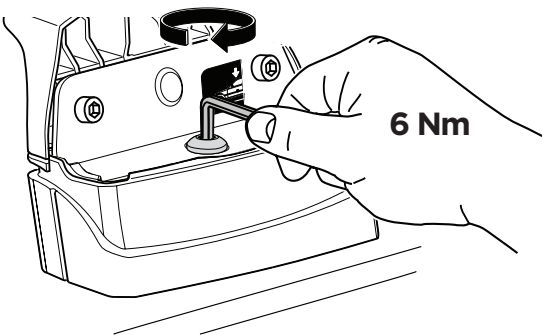
B



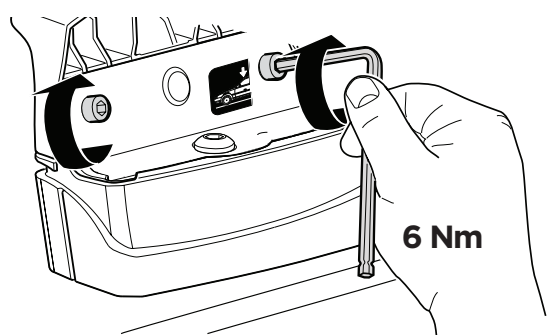
6



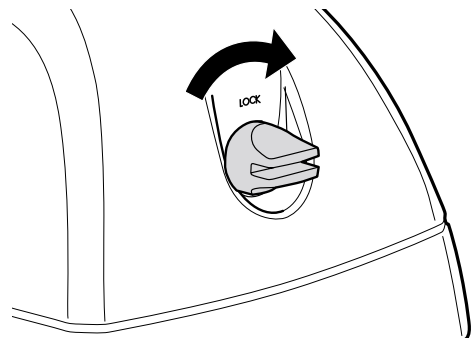
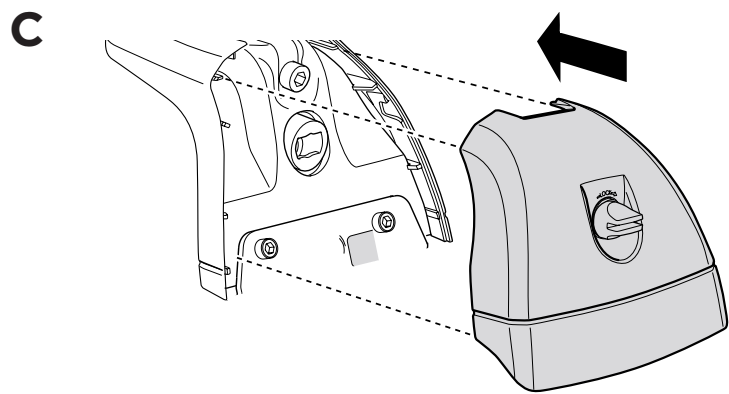
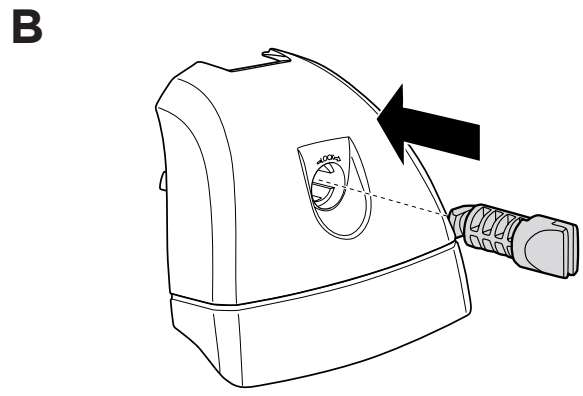
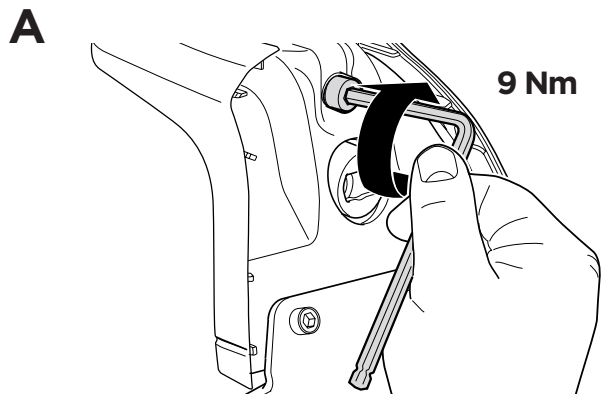
A



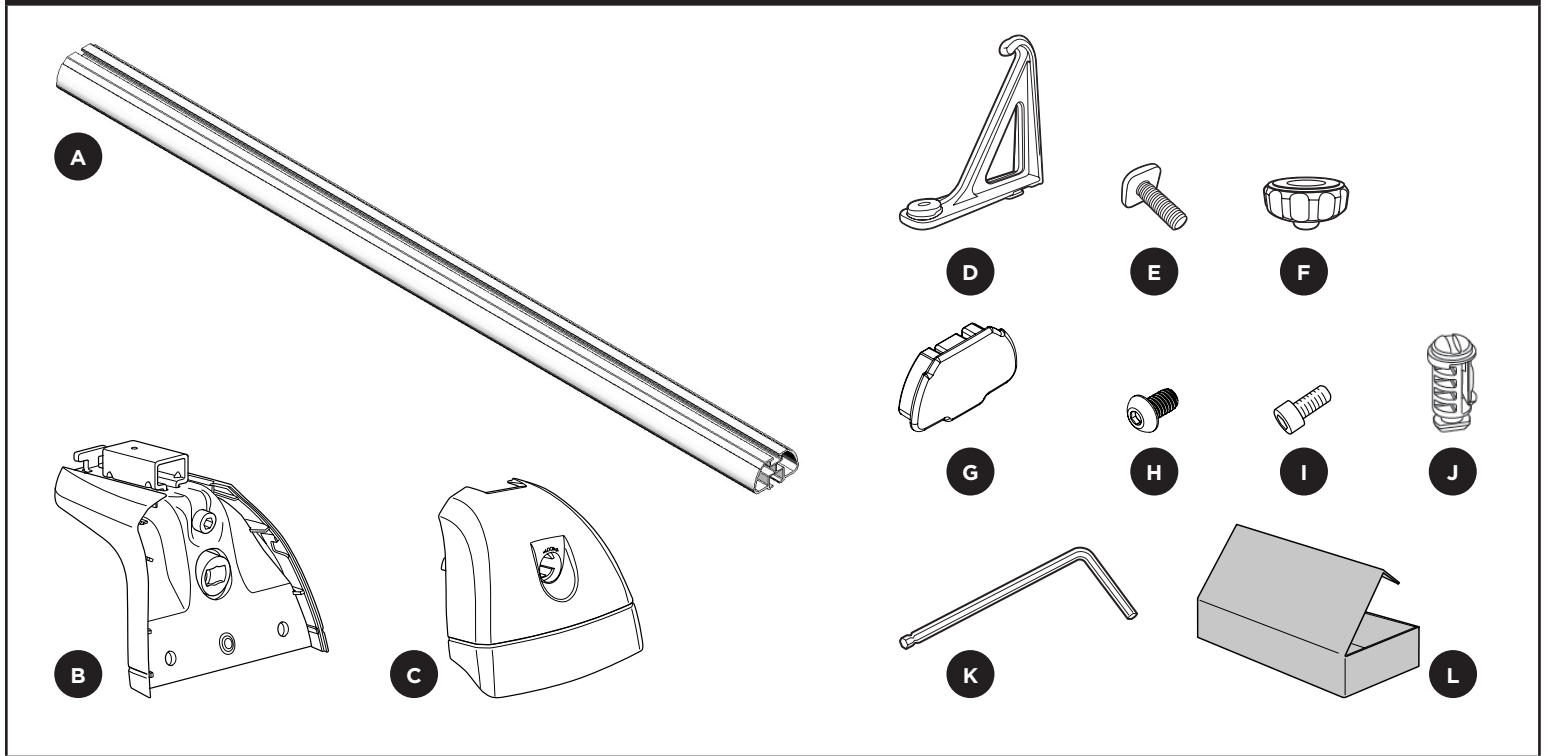
B



7



PARTS INCLUDED



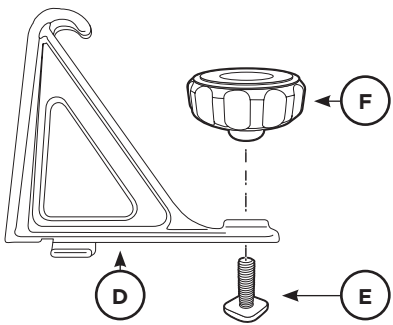
part	description	qty.
A	double t slot crossbar 53" (29611XT - 29614XT - 29616XT)	2
A	double t slot crossbar 69" (29610XT - 29612XT - 29613XT)	2
B	high foot	4
C	high foot cover	4
D	crossbar tiedown	4
E	t-bolt M8 x 26 mm	4
F	tiedown knob	4
G	crossbar end cap	4
H	3/8"-16 x 0.625" button head cap screw (BHCS)	4
I	M6 x 12 mm socket head cap screw (SHCS)	8
J	lock plug	4
K	5 mm allen key	1
L	vehicle specific fit kit	1

WARNINGS / LIMITATIONS

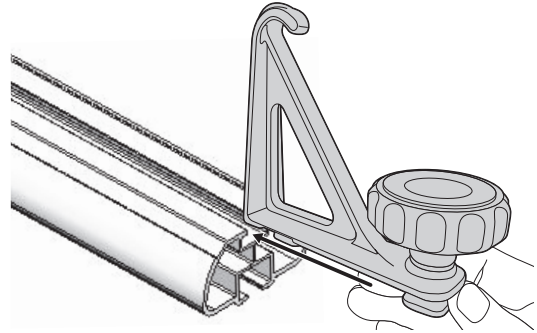
- This system has been designed with a maximum load capacity of 500lbs. Do not exceed vehicle manufacturer's load limits.
- If used in conjunction with another type of load carrying system the lower weight capacity of the two systems should be followed.
- Tie down front and rear of all long loads to the vehicles bumpers for safe transport.
- Install parts as shown on illustrations.
- Carrying high loads over rough roads with excess speed may damage the system. Good judgment must be exercised at all times.

1

TIEDOWNS ASSEMBLY



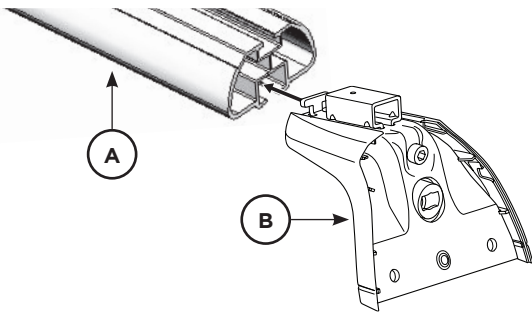
1. Pre-assemble all load stops as shown. Attach knob loosely.



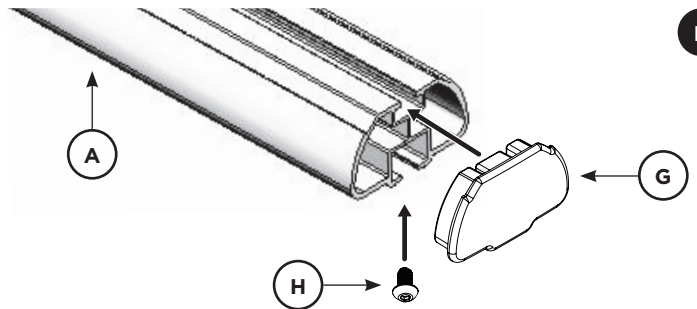
2. Slide tiedown into top crossbar track (A), locate in desired position, and twist knob until securely in place.

2

FOOT AND ENDCAPS ASSEMBLY



1. Slide high foot (B) into bottom crossbar track (A).



2. Insert crossbar end caps (G) into crossbar (A). Secure with 3/8"-16 x 0.625" button head cap screw (BHCS) (H), and tighten with Allen key (K).

3

FOLLOW THE FIT KIT INSTRUCTIONS TO COMPLETE THE INSTALLATION

THULE RACK GUIDELINES

When using Thule Load carriers and accessories, the user must understand the precautions. The points listed below will assist you in using the rack system and will encourage safety.

- For quality fits and safety, use only the recommended rack or accessory as stated in Thule's current Fit Guide. Do not assume a rack will fit, always check the current Fit Guide when obtaining a new vehicle.
- The maximum load specified in the assembly instructions is not to be exceeded. However, this limit is always subordinate to the maximum load recommended by the manufacturer of the car itself. It is always the lower maximum recommended load that applies. **Max roof load = load carrier weight + any fitted carrier accessories + the weight of the load itself.**
- Always make sure all doors are open when mounting a roof rack system. Make sure all knobs, bolts, screws, straps, and locks are firmly attached, tightened and locked before every trip. Knobs, bolts, screws, straps and locks must be periodically inspected for signs of wear, corrosion, and fatigue. Check your load at stops during the trip to ensure continued fastening security.
- Check local and state laws governing projection of objects beyond the perimeter of a vehicle. Be aware of the width and height of your cargo since low clearance branches, bridges, and parking garages can affect the load. All cargo will affect the vehicle's driving behavior. Never drive with any lock, knob or rack in an open or unlocked position. All long loads such as, but not limited to, sailboards, surfboards, kayaks, canoes, and lumber must be tied down front and rear to the bumpers or tow hooks of the vehicle.
- Remove your Thule rack and accessories when they are not in use and before entering automatic car washes.
- All locks must be turned and moved periodically to ensure smooth operation. Use graphite or dry lubricant to help this. Thule locks are designed to deter vandalism and theft but should not be considered theft proof. Remove valuable gear if your vehicle is unattended for an extended period. Place at least one key in the glove compartment.
- For safety to your vehicle and rack system, obey all posted speed limits and traffic cautions. Adapt your speed to the conditions of the road and the load being carried.
- Do not use Thule load carriers and accessories for purposes other than those for which they were designed. Do not exceed their carrying capacity. Failure to follow these guidelines or the product's instructions will void the warranty.
- All loads must be secured using the provided straps.
- Consult with your Thule dealer if you have any questions regarding the operations and limits of Thule products. Review all instructions and warranty information carefully.
- Not for use on trailers or towed vehicles.
- Not for offroad use.
- Keep bicycle tires away from hot exhaust.