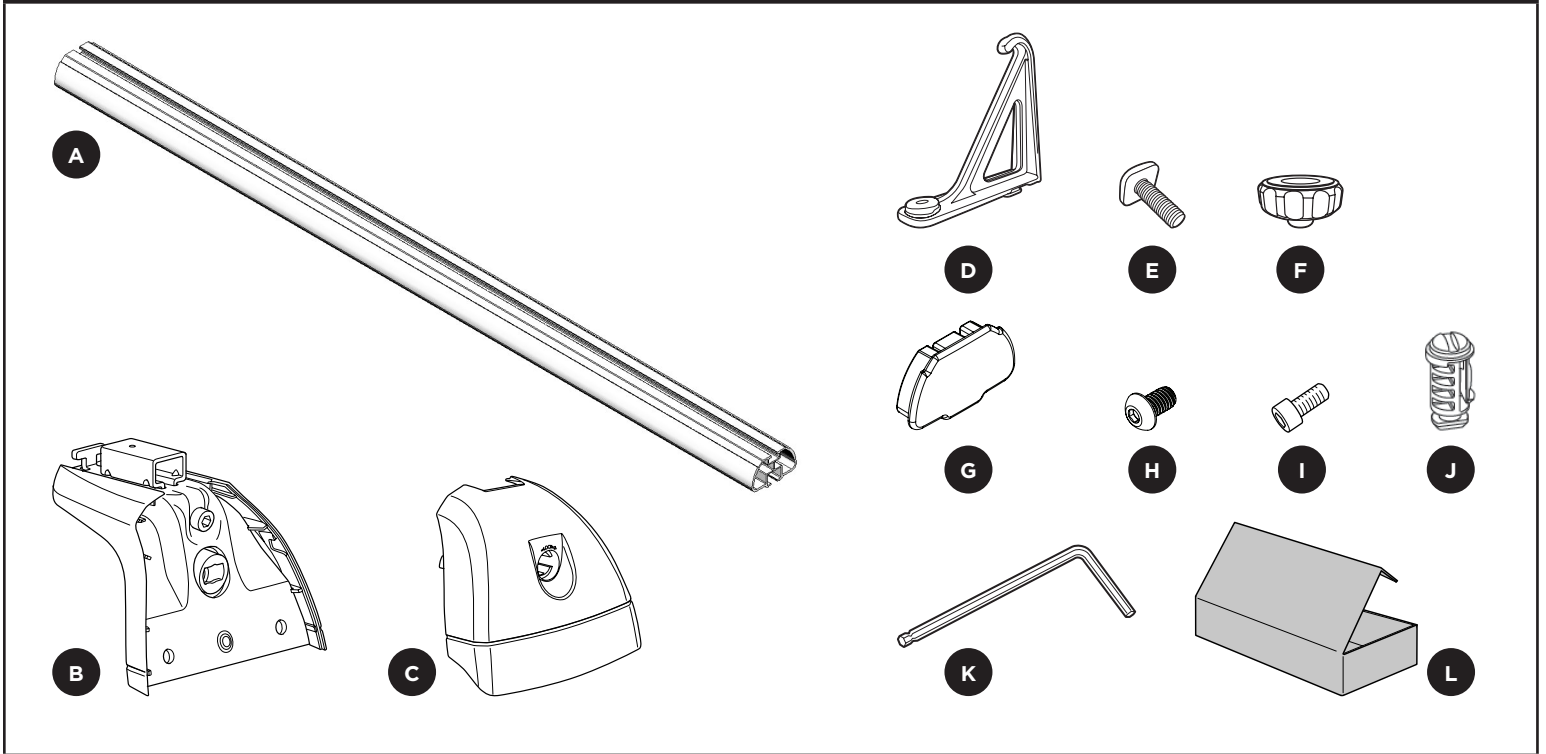
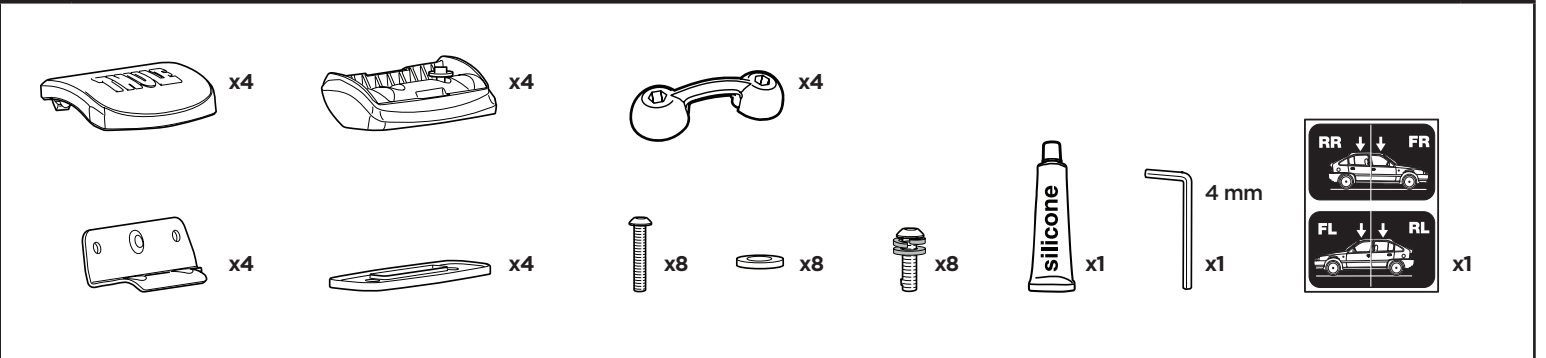


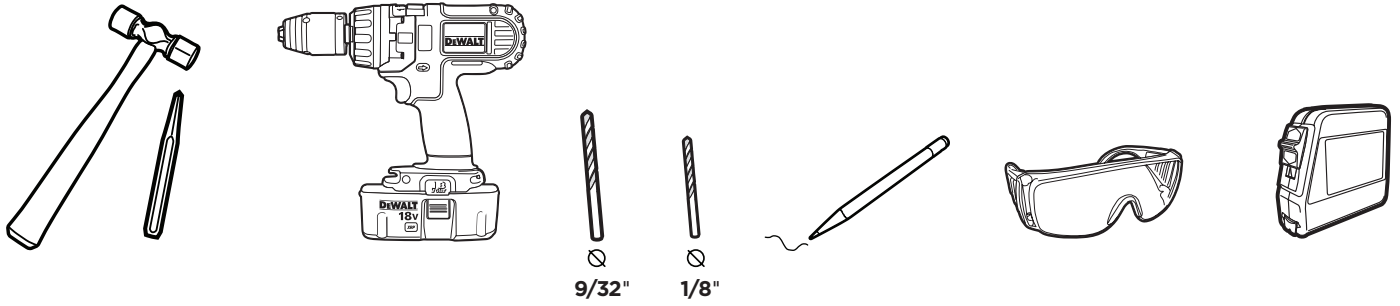
PARTS INCLUDED



part	description	qty.
A	double t slot crossbar 69"	2
B	high foot	4
C	high foot cover	4
D	crossbar tiedown	4
E	t-bolt M8 x 26 mm	4
F	tiedown knob	4
G	crossbar end cap	4
H	3/8"-16 x 0.625" button head cap screw (BHCS)	4
I	M6 x 12 mm socket head cap screw (SHCS)	8
J	lock plug	4
K	5 mm allen key	1
L	fit kit	1



TOOLS THAT YOU WILL NEED

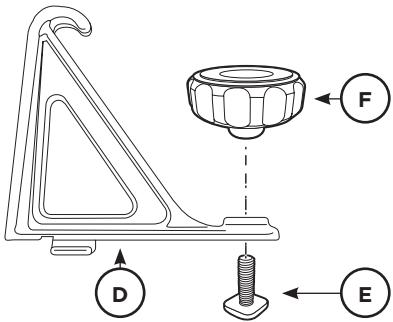


WARNINGS / LIMITATIONS

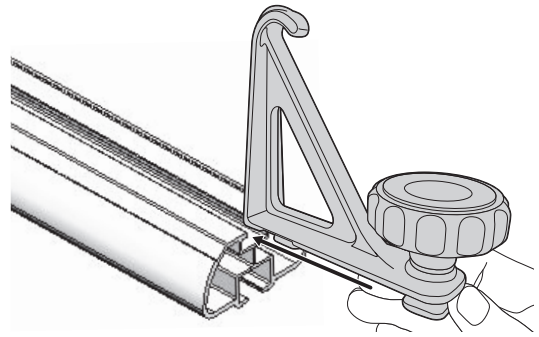
- Do not exceed vehicle manufacturer's load limits.
- If used in conjunction with another type of load carrying system the lower weight capacity of the two systems should be followed.
- Tie down front and rear of all long loads to the vehicles bumpers for safe transport.
- Install parts as shown on illustrations.
- Carrying high loads over rough roads with excess speed may damage the system. Good judgment must be exercised at all times.
- Installation requires drilling the roof and permanently installing parts.
- Access to underside of mounting surface is required.
- Tools and some mechanical skills are required. If concerned about installation, have installed by professional installer.

1

TIEDOWNS ASSEMBLY



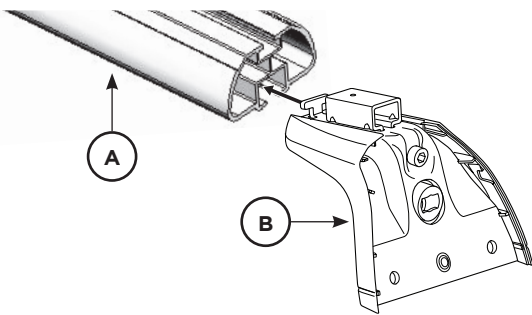
1. Pre-assemble all load stops as shown. Attach knob loosely.



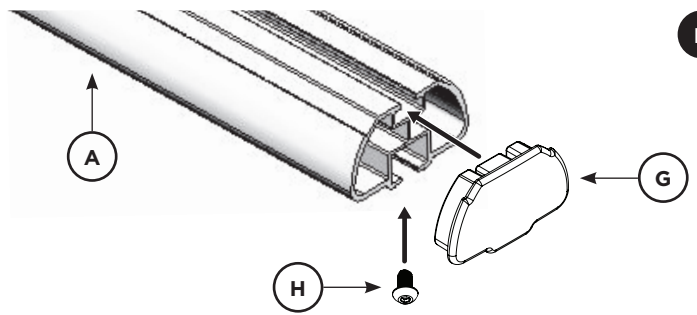
2. Slide tiedown into top crossbar track (A), locate in desired position, and twist knob until securely in place.

2

FOOT AND ENDCAPS ASSEMBLY

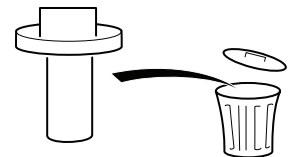
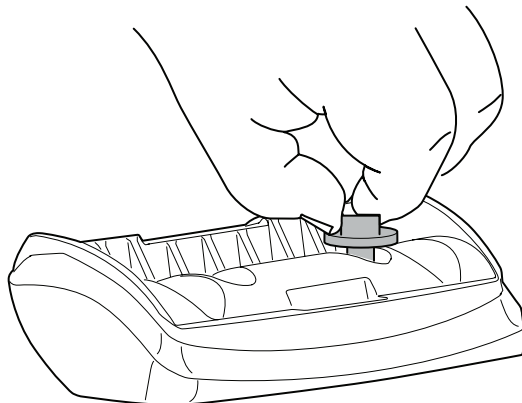
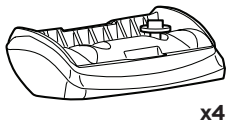


1. Slide high foot (B) into bottom crossbar track (A).

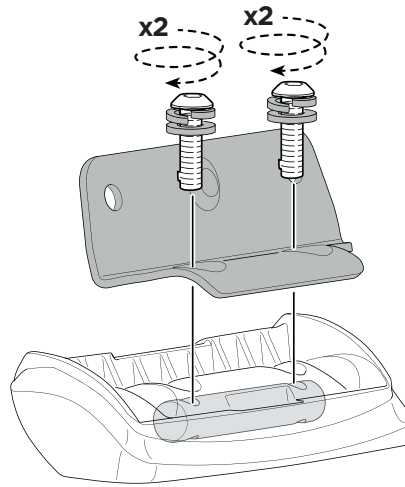
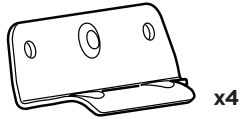


2. Insert crossbar end caps (G) into crossbar (A). Secure with 3/8\"-16 x 0.625\" button head cap screw (BHCS) (H), and tighten with Allen key (K).

3

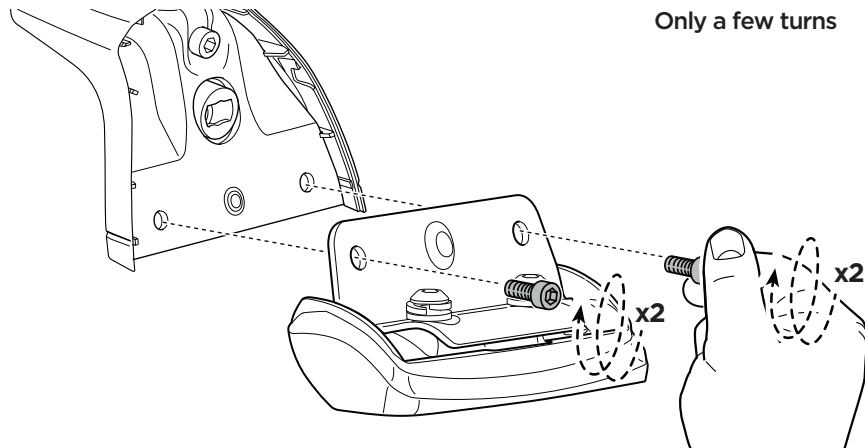
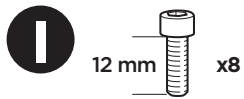


4



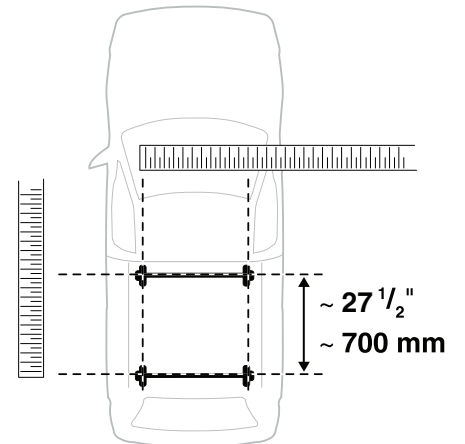
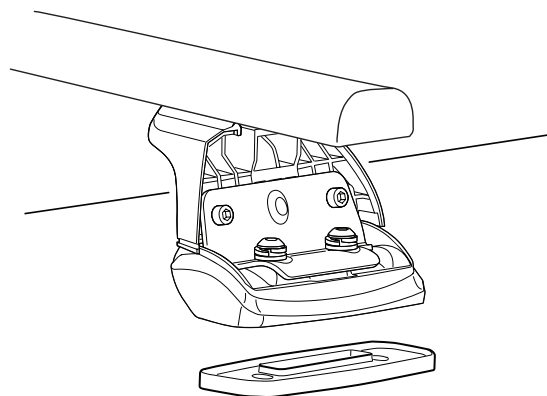
Only a few turns

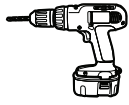
5



Only a few turns

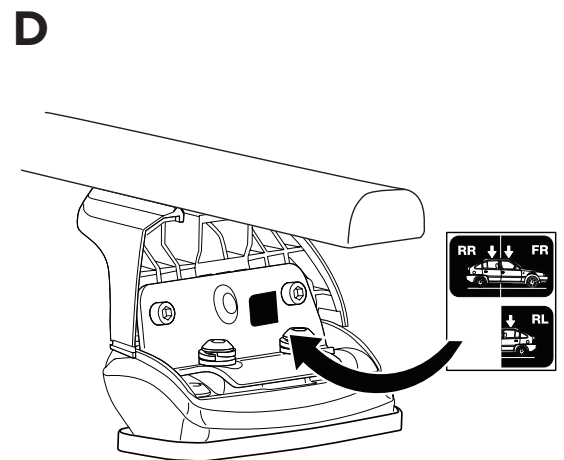
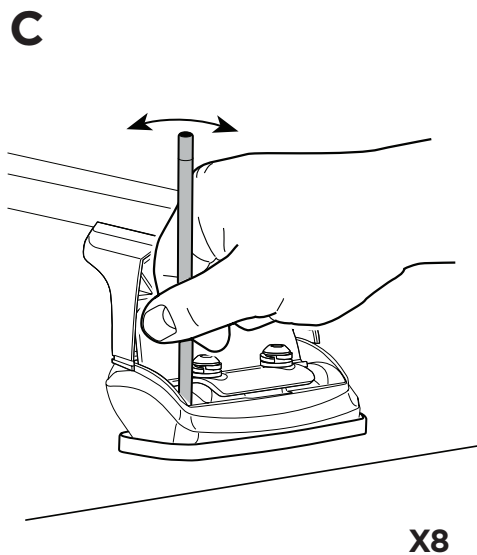
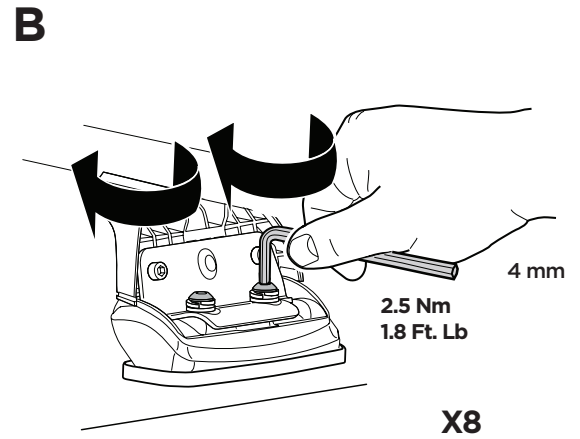
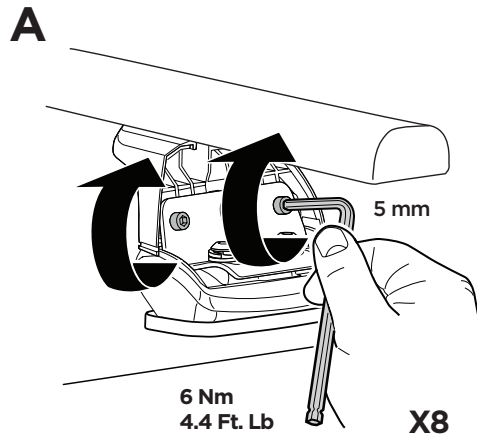
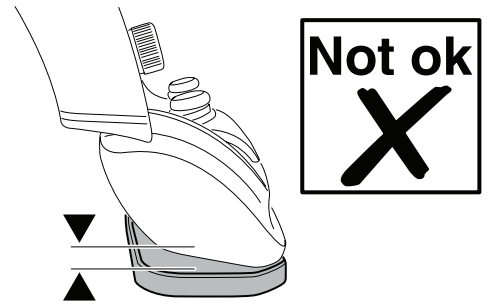
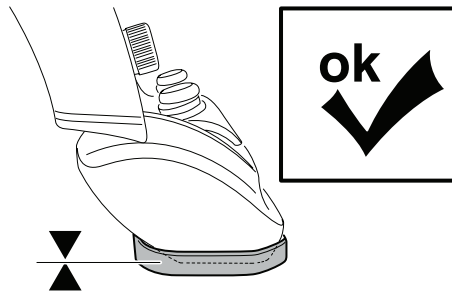
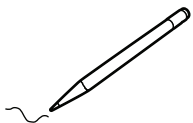
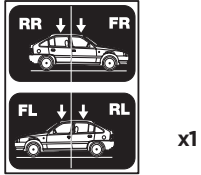
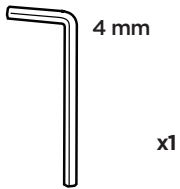
6



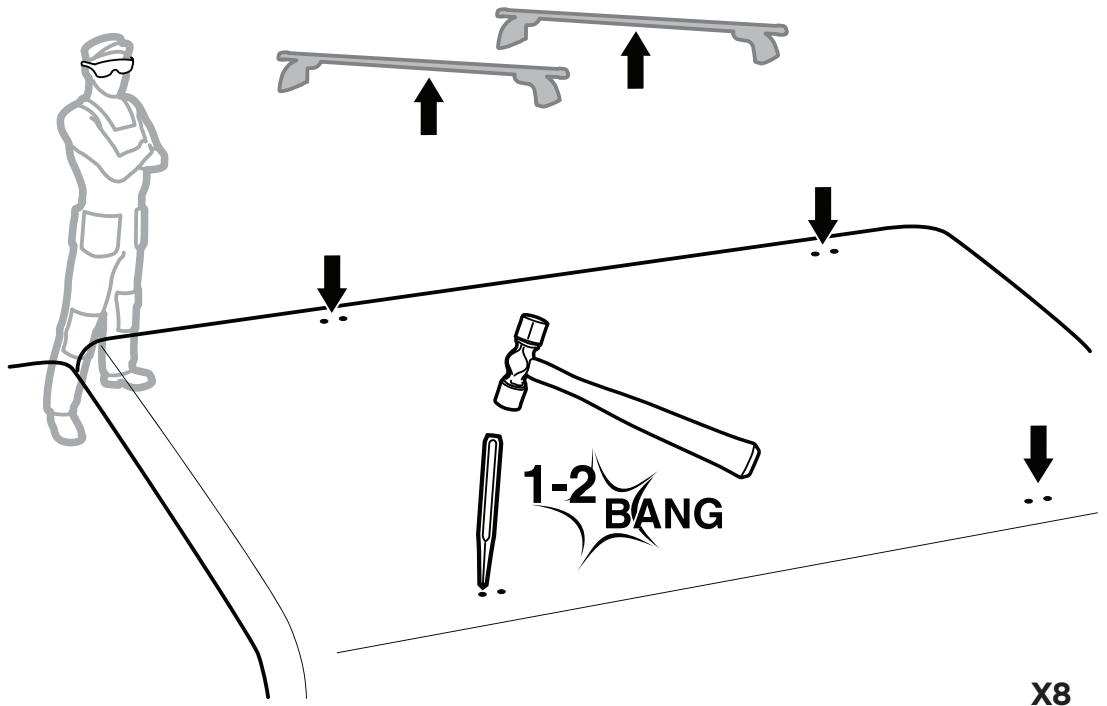
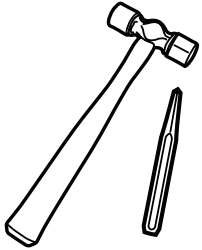


NOTE: Continuing with installation requires drilling. If you are unfamiliar with installation or have any doubt, seek a professional installer.

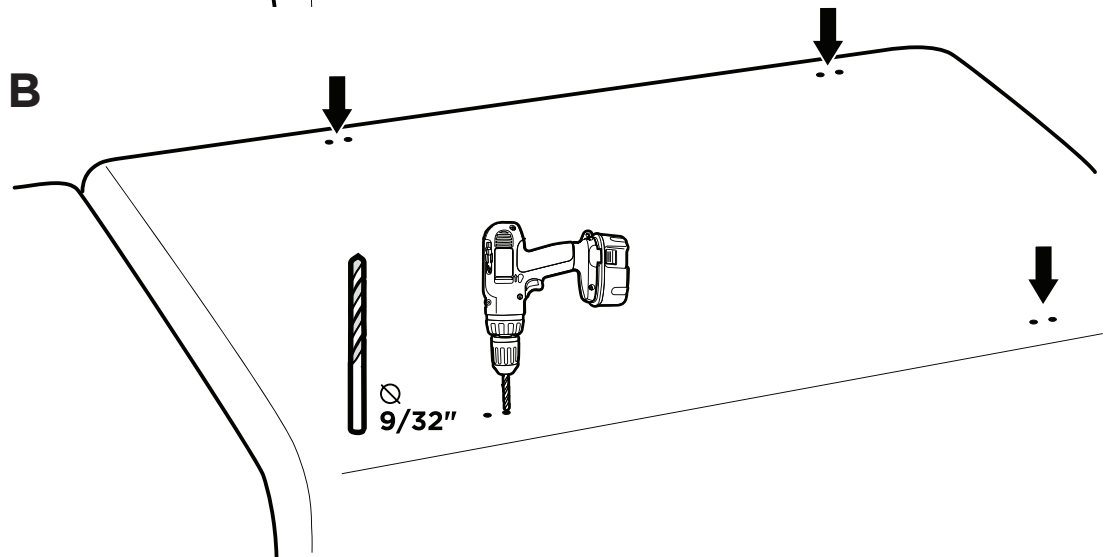
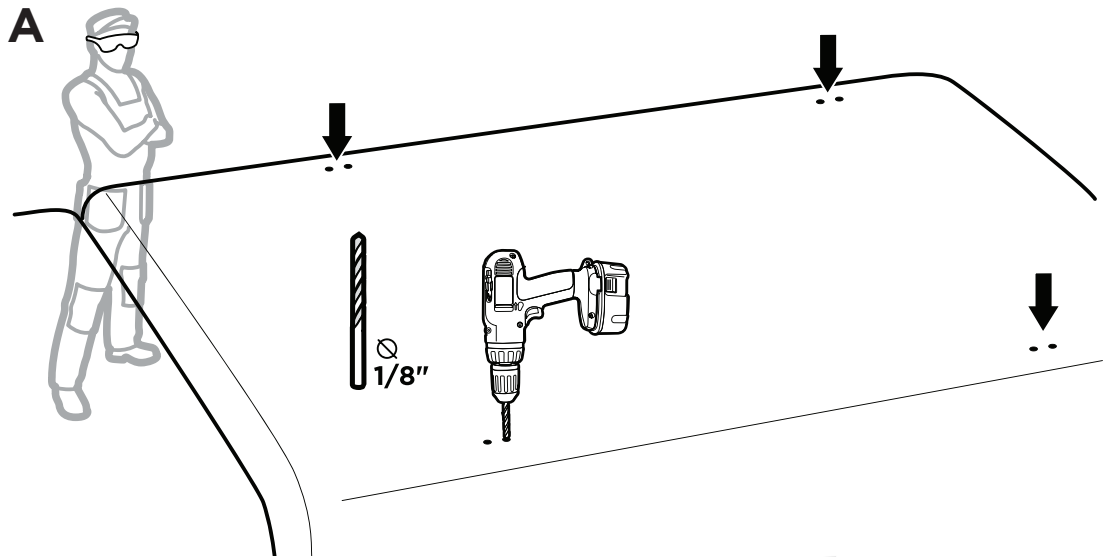
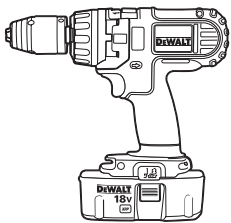
7



8



9

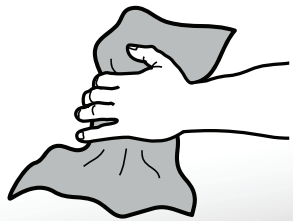


10



x1

A



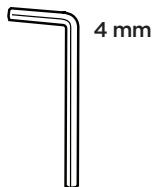
B



11

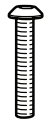


x1



4 mm

x1



x8

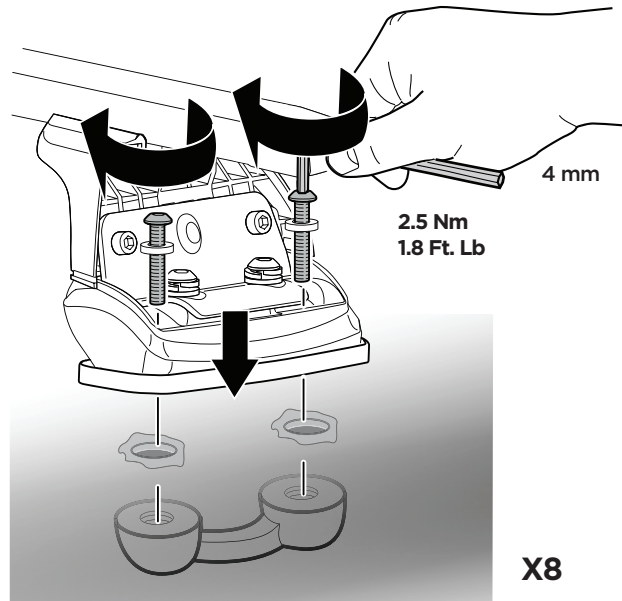
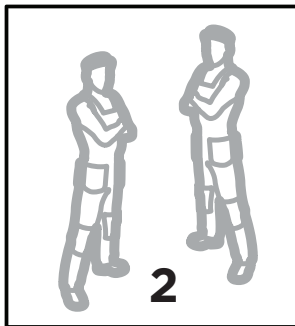


x8



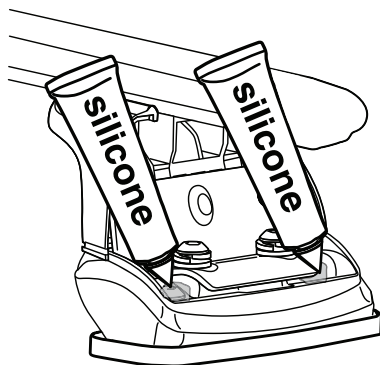
x8

A

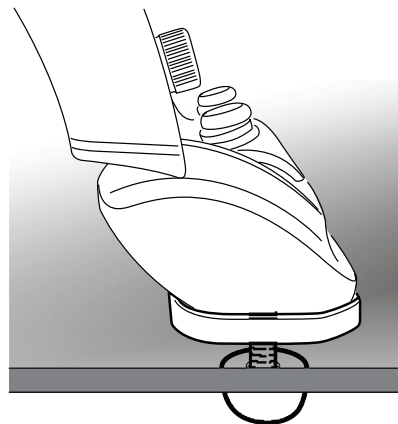


X8

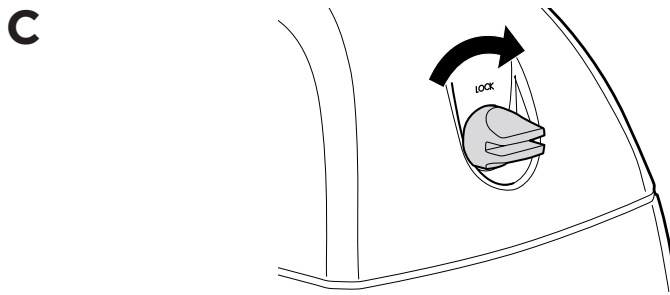
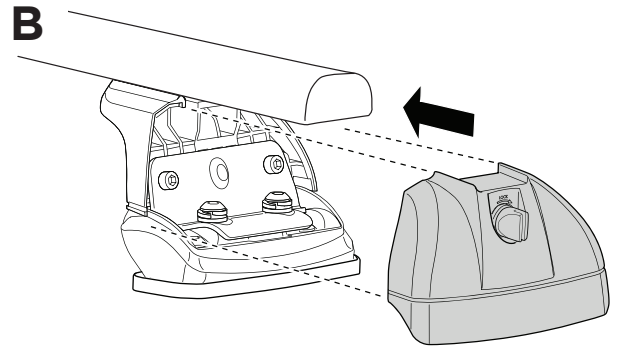
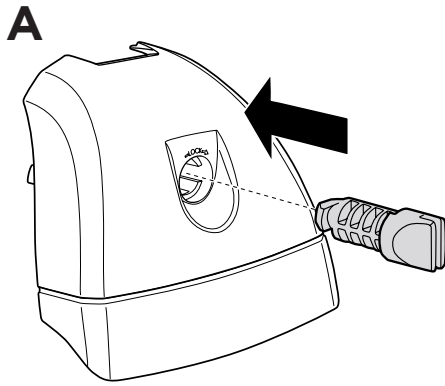
B



X8



12



13

