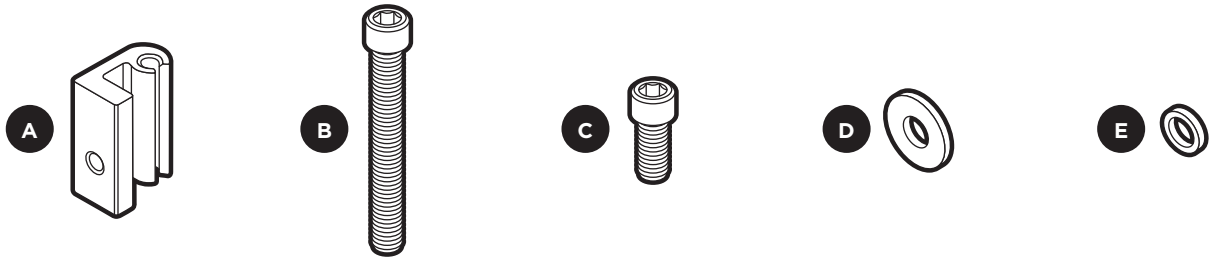


In conjunction with the Base Rail Installation Instructions, follow steps outlined below for base rail attachment to REAR stake pocket.

PARTS INCLUDED

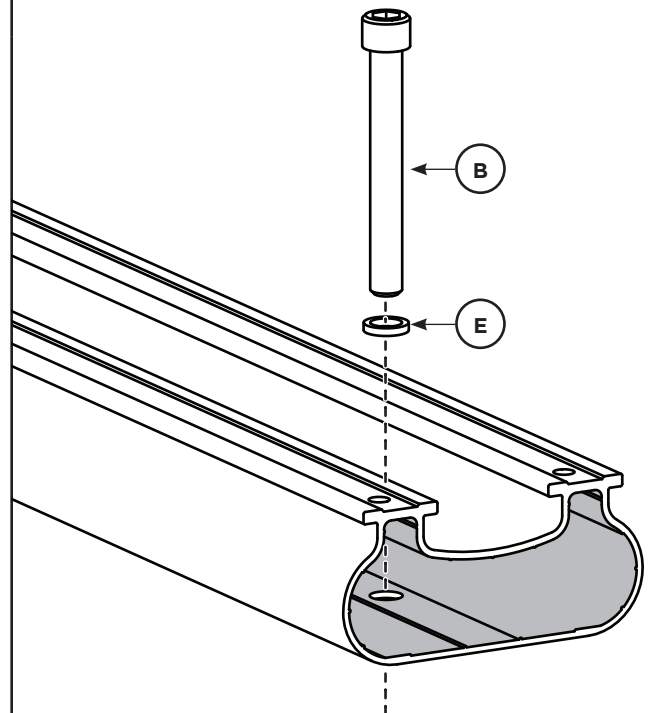


part	description	part number	qty.
A	rear adaptor	—	2
B	3/8"-16 x 3.0" bolt	—	2
C	3/8"-16 x 0.75" bolt	—	2
D	3/8" x 1" steel washer	—	2
E	plastic washer	—	2

1

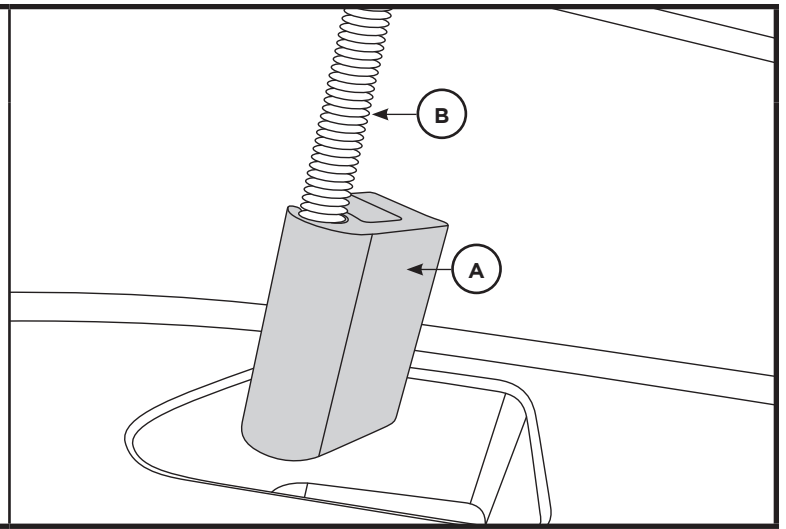
Locate correct hole in tailgate end of base rail by aligning base rail holes with vehicle stake pockets.

1. Insert 3" bolt (B) with plastic washer (E) into correct hole (tailgate end) in base rail.
2. Hold rear adaptor (A) so that the threaded hole in flange is below the center line of part.
3. Loosely thread rear adaptor (A) onto bolt (B) in base rail.



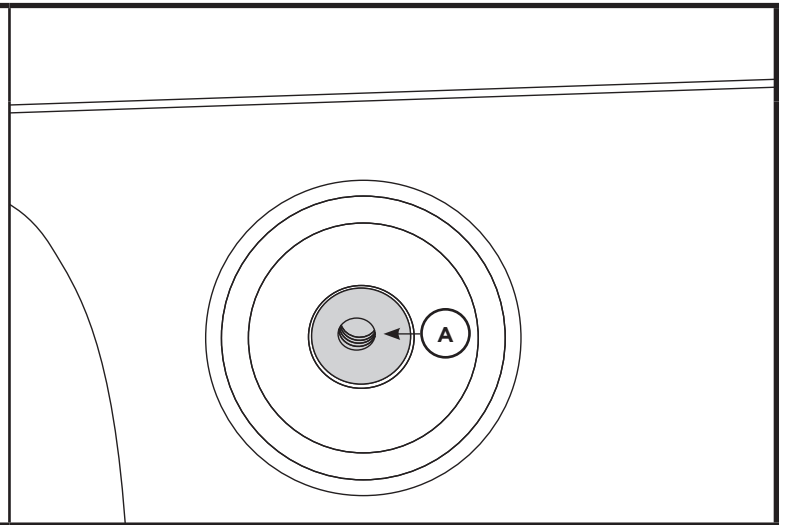
2

1. Rotate adaptor (A) so hole in flange is toward inside of vehicle bed.
2. Carefully place adaptor (A) into rear stake pocket



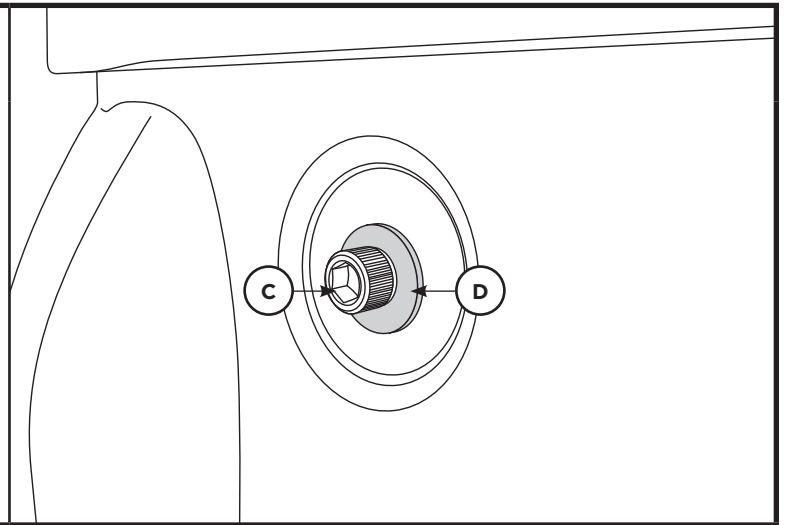
3

1. Tighten or loosen bolt (B) in base rail to align threaded hole in adaptor (A) with hole in side of truck bed.



4

1. Once aligned, thread 0.75" bolt (C) with metal washer (D) through truck bed and into adaptor (A).
2. Tighten to 15 ft-lbs.



Follow Base Rail Instructions to ensure proper alignment and secure mounting of base rail.
Tighten all bolts firmly after proper base rail alignment is achieved. Tighten base rail bolts to 9 ft-lbs