

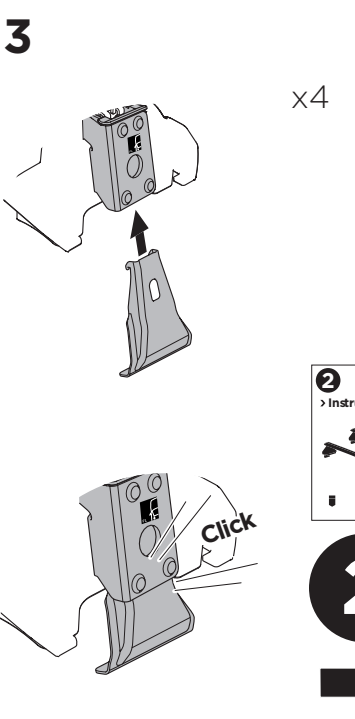
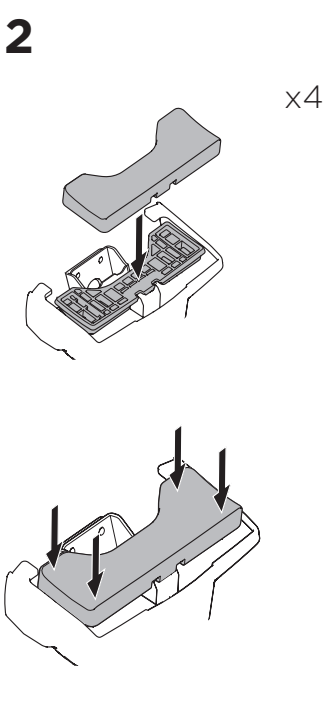
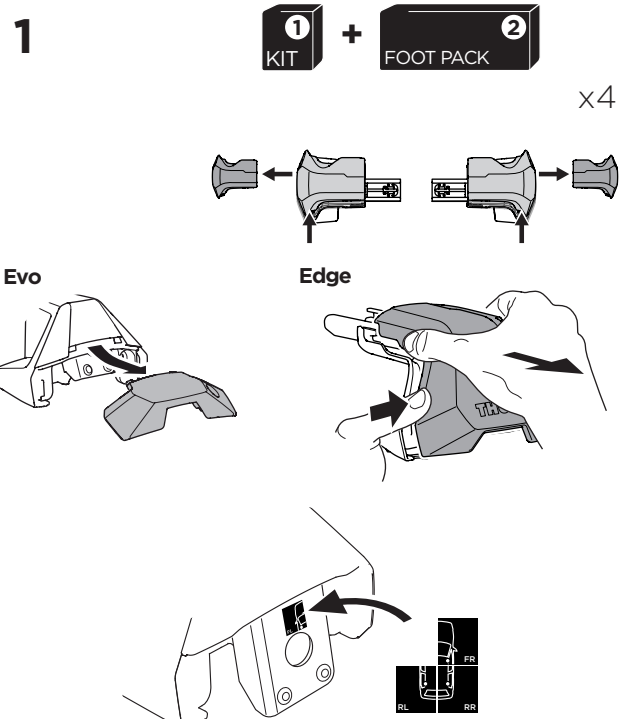
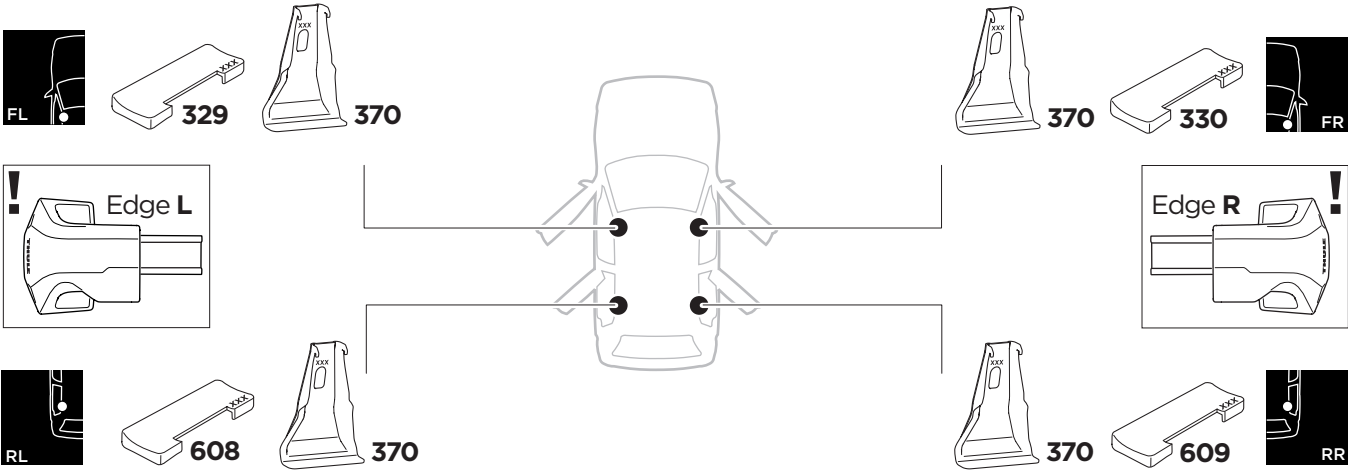
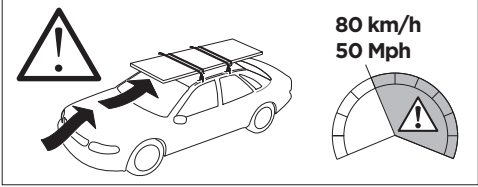
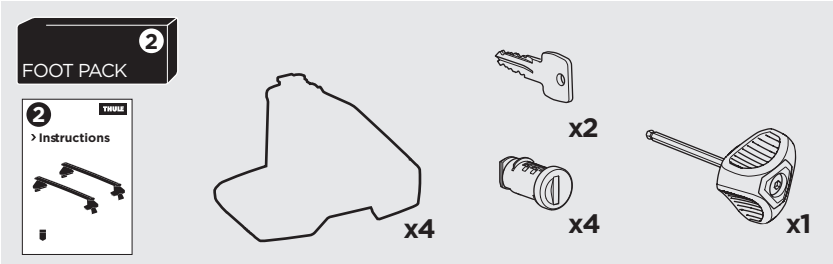
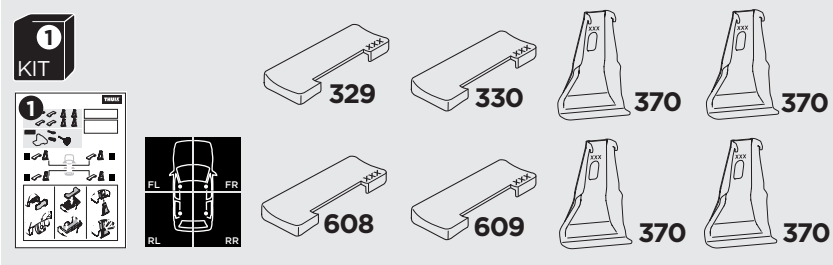
1

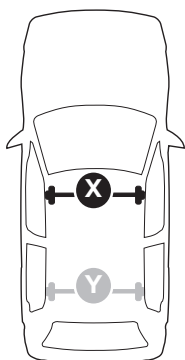
Kit 145162

KIA Forte, 4-dr Sedan, 19-
KIA K3, 4-dr Sedan, 18-



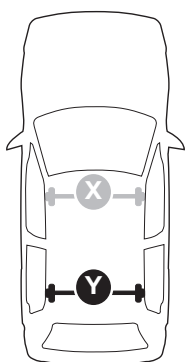
ISO 11154-E





THULE WingBar Evo	THULE WingBar Edge	THULE WingBar	THULE SquareBar Evo	Evo X (scale)	Edge X (scale)
KIA Forte, 4-dr Sedan, 19-				40,5	P
KIA K3, 4-dr Sedan, 18-				40,5	P

THULE ProBar Evo	THULE SlideBar Evo	X (mm/inch)		
KIA Forte, 4-dr Sedan, 19-		1056 mm / 41 5/8"		
KIA K3, 4-dr Sedan, 18-		1056 mm / 41 5/8"		



THULE WingBar Evo	THULE WingBar Edge	THULE WingBar	THULE SquareBar Evo	Evo Y (scale)	Edge Y (scale)
KIA Forte, 4-dr Sedan, 19-				39,5	R
KIA K3, 4-dr Sedan, 18-				39,5	R

THULE ProBar Evo	THULE SlideBar Evo	Y (mm/inch)		
KIA Forte, 4-dr Sedan, 19-		1046 mm / 41 1/8"		
KIA K3, 4-dr Sedan, 18-		1046 mm / 41 1/8"		

	W (mm/inch)	Z (mm/inch)
KIA Forte, 4-dr Sedan, 19-	700 mm / 27 1/2"	290 mm / 11 3/8"
KIA K3, 4-dr Sedan, 18-	700 mm / 27 1/2"	290 mm / 11 3/8"

