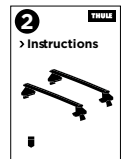
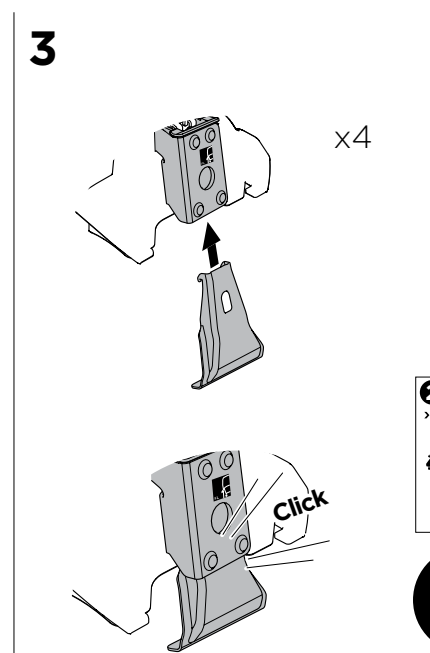
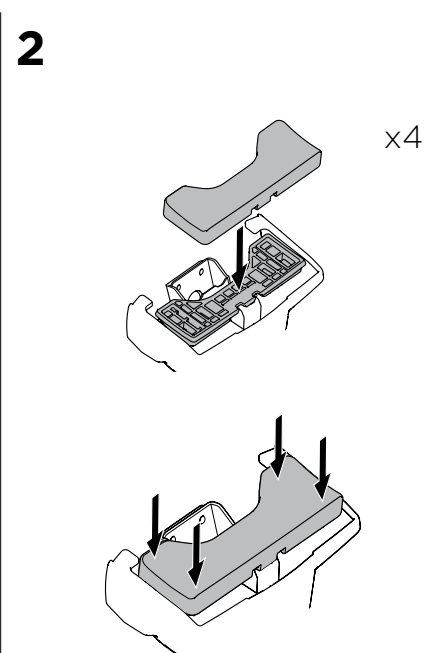
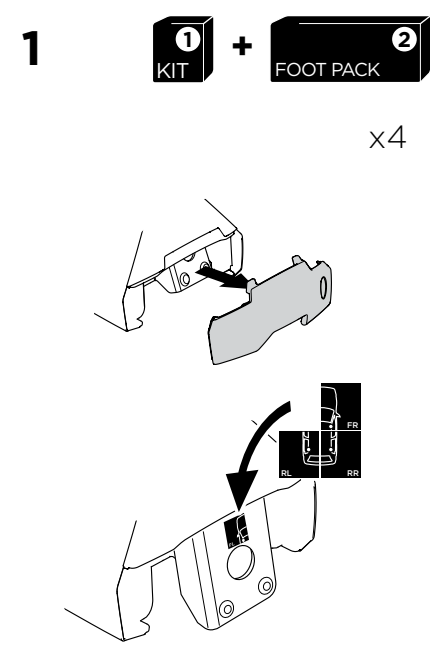
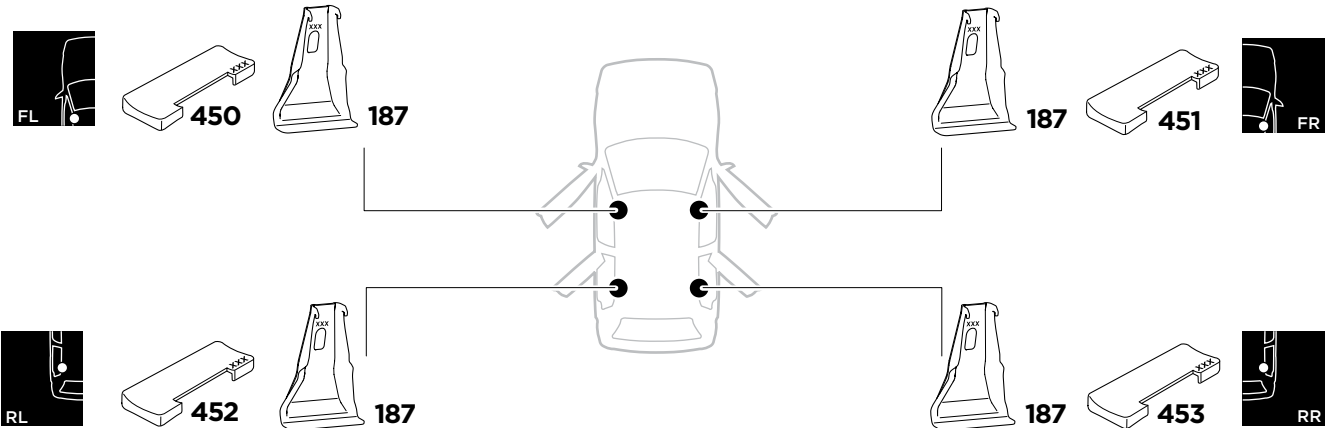
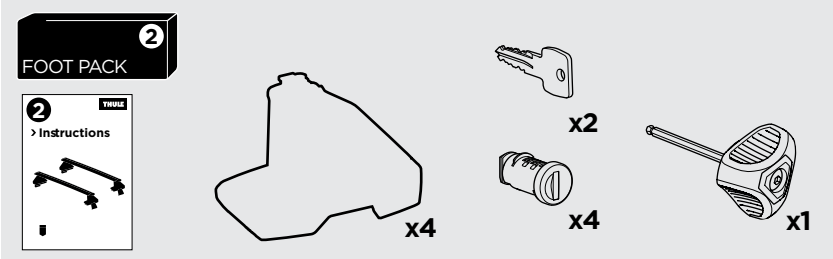
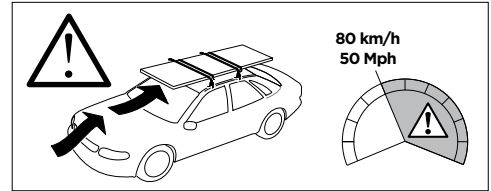
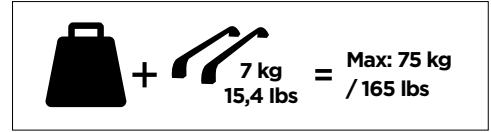
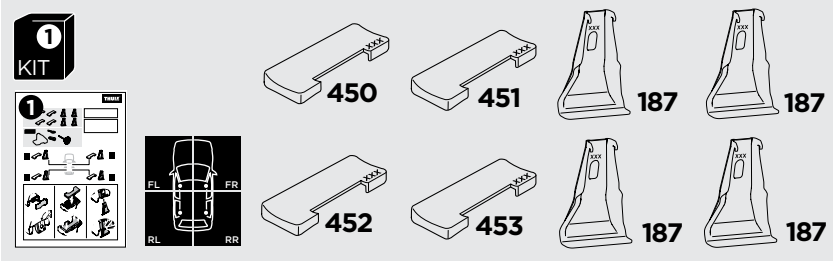


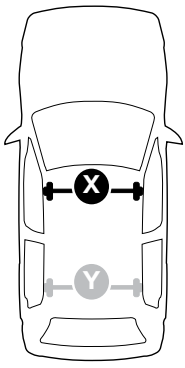
# 1

## Kit 5149

TOYOTA Camry, 4-dr Sedan, 12-17

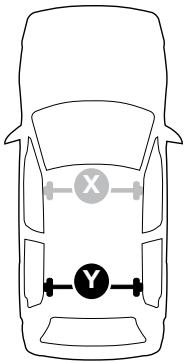
ISO 11154-E





THULE WingBar Evo	THULE WingBar Edge	THULE WingBar	THULE SquareBar	<b>Evo X (scale)</b>	<b>Edge X (scale)</b>
<b>TOYOTA Camry, 4-dr Sedan, 12-17</b>				<b>38</b>	<b>C</b>

THULE ProBar	THULE SlideBar	<b>X (mm/inch)</b>		
<b>TOYOTA Camry, 4-dr Sedan, 12-17</b>		<b>1031 mm / 40 5/8"</b>		



THULE WingBar Evo	THULE WingBar Edge	THULE WingBar	THULE SquareBar	<b>Evo Y (scale)</b>	<b>Edge Y (scale)</b>
<b>TOYOTA Camry, 4-dr Sedan, 12-17</b>				<b>35,5</b>	<b>H</b>

THULE ProBar	THULE SlideBar	<b>Y (mm/inch)</b>		
<b>TOYOTA Camry, 4-dr Sedan, 12-17</b>		<b>1006 mm / 39 5/8"</b>		

	<b>W (mm/inch)</b>	<b>Z (mm/inch)</b>
<b>TOYOTA Camry, 4-dr Sedan, 12-17</b>	<b>670 mm / 26 3/8"</b>	<b>225 mm / 8 7/8"</b>

