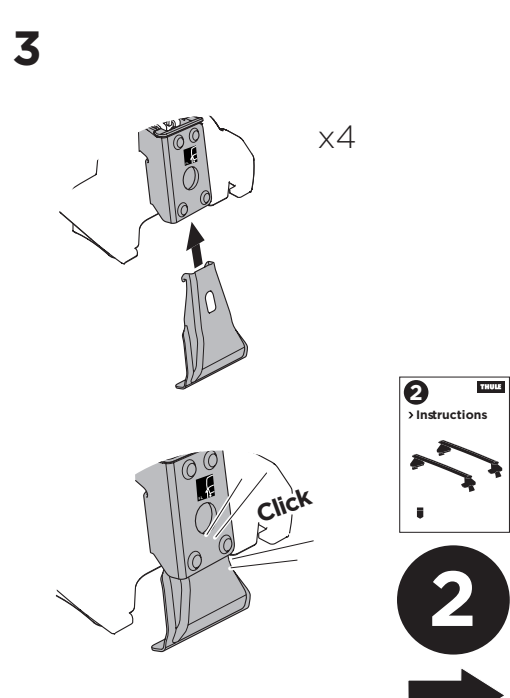
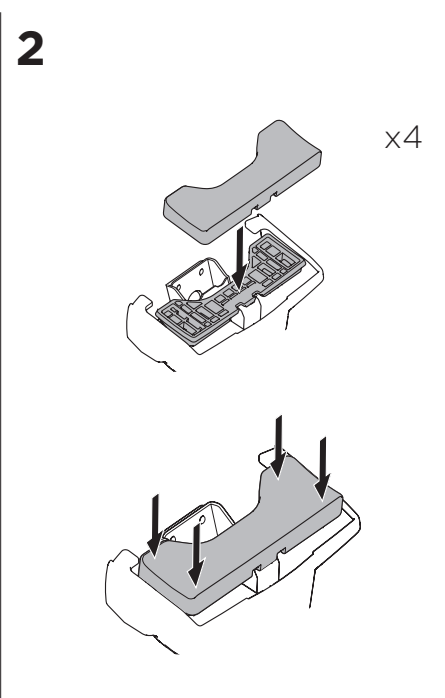
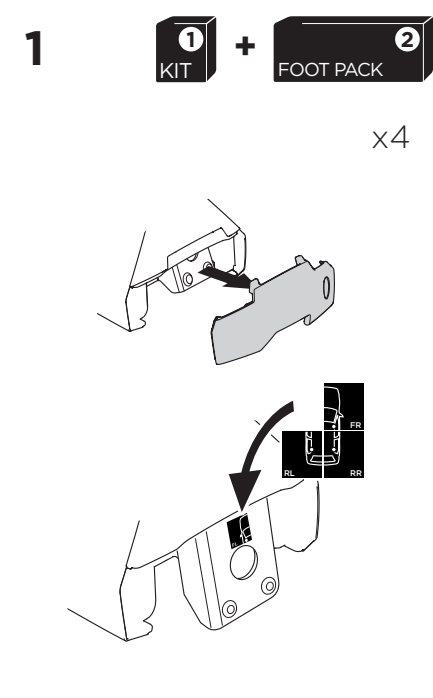
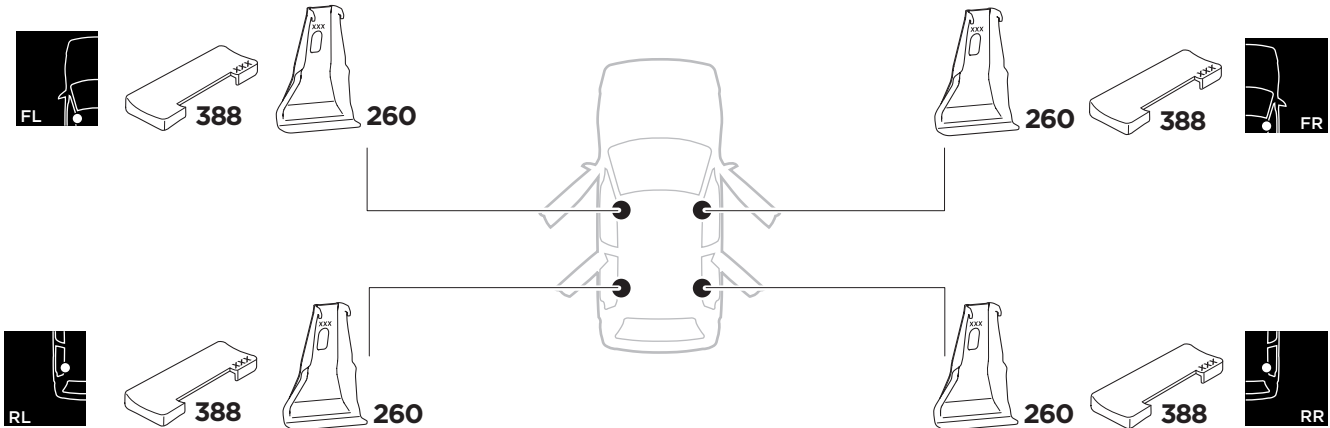
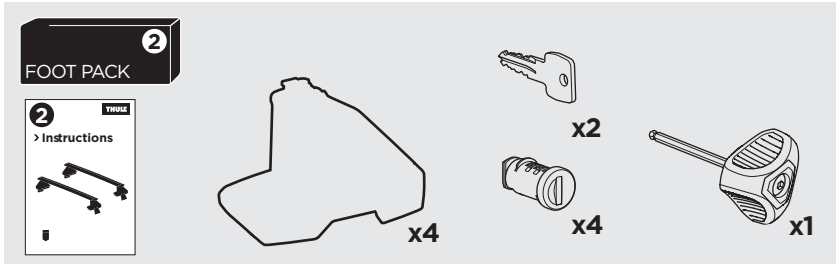
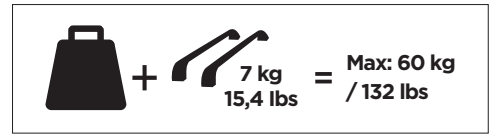
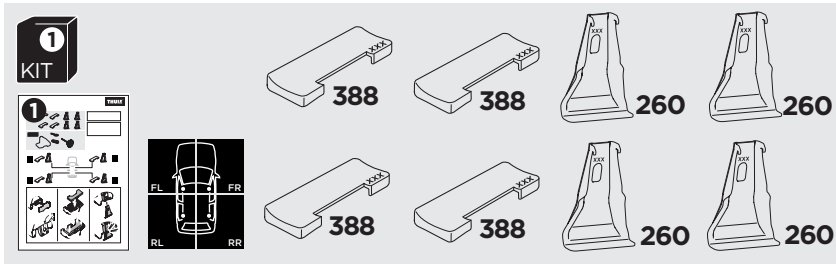


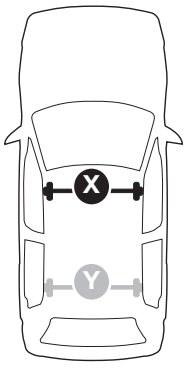
# 1

## Kit 5123

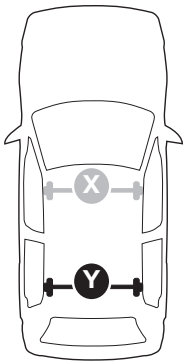
LAND ROVER Freelander 2, 5-dr SUV, 07-14

ISO 11154-E



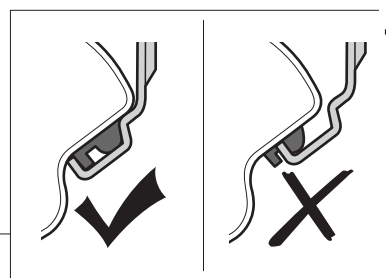
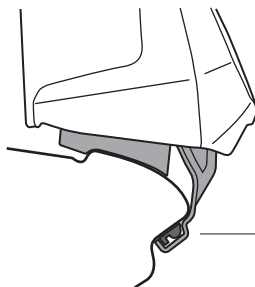
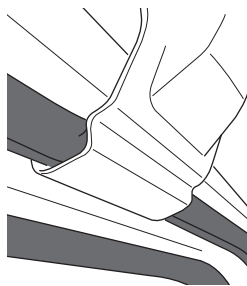
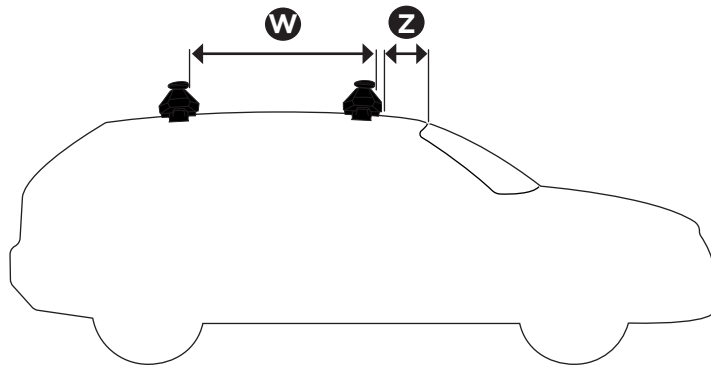


THULE WingBar Evo	THULE WingBar Edge	THULE WingBar	THULE SquareBar	<b>Evo X (scale)</b>	<b>Edge X (scale)</b>
<b>LAND ROVER Freelander 2, 5-dr SUV, 07-14</b>				<b>46</b>	<b>E</b>
THULE ProBar	THULE SlideBar				<b>X (mm/inch)</b>
<b>LAND ROVER Freelander 2, 5-dr SUV, 07-14</b>				<b>1111 mm / 43 3/4"</b>	



THULE WingBar Evo	THULE WingBar Edge	THULE WingBar	THULE SquareBar	<b>Evo Y (scale)</b>	<b>Edge Y (scale)</b>
<b>LAND ROVER Freelander 2, 5-dr SUV, 07-14</b>				<b>44</b>	<b>I</b>
THULE ProBar	THULE SlideBar				<b>Y (mm/inch)</b>
<b>LAND ROVER Freelander 2, 5-dr SUV, 07-14</b>				<b>1091 mm / 43"</b>	

	<b>W (mm/inch)</b>	<b>Z (mm/inch)</b>
<b>LAND ROVER Freelander 2, 5-dr SUV, 07-14</b>	<b>700 mm / 27 1/2"</b>	<b>310 mm / 12 1/4"</b>



**i**

