

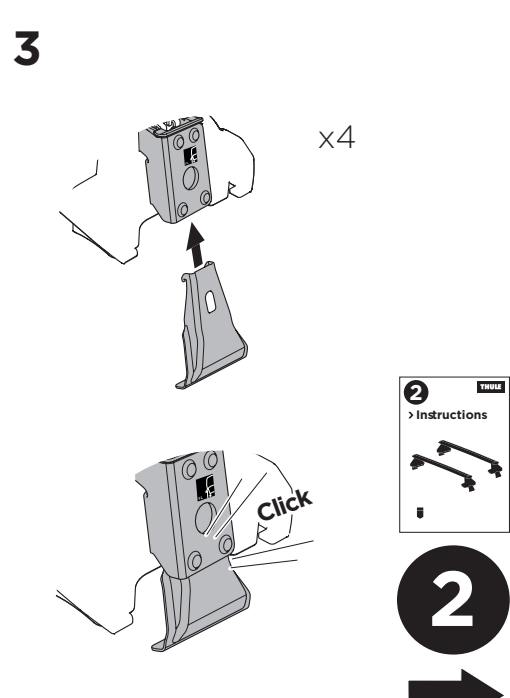
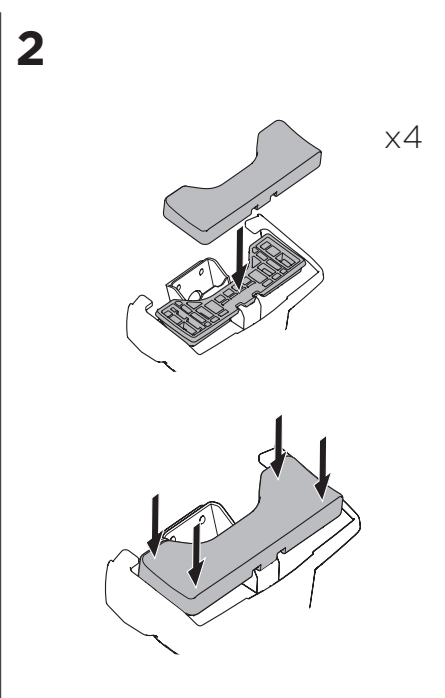
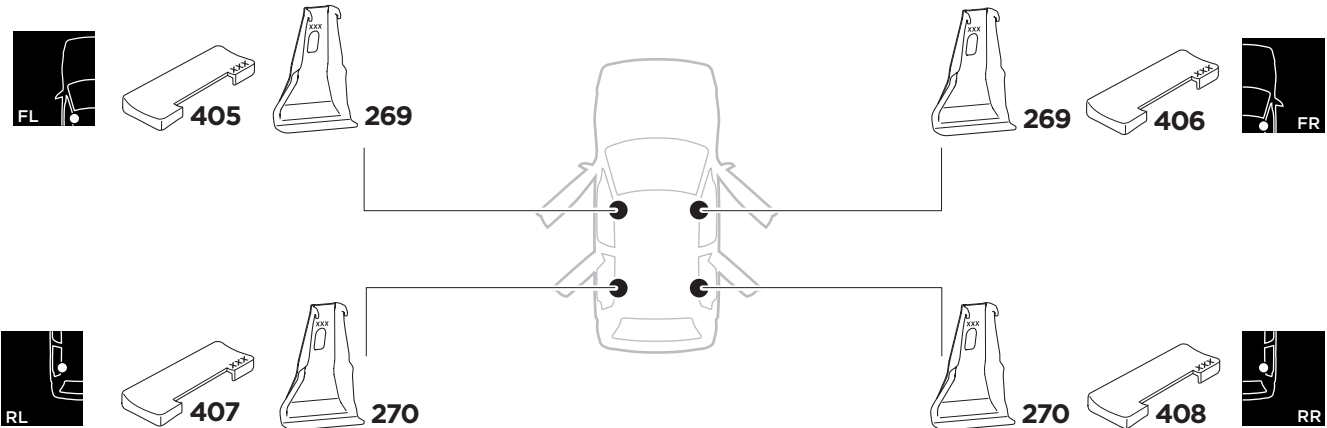
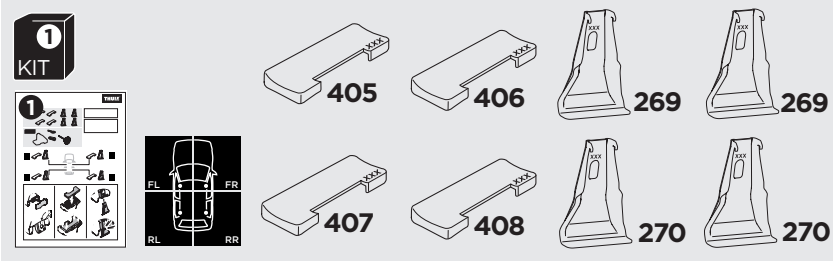
# 1

## Kit 5104

NISSAN Altima, 4-dr Sedan, 13-18



ISO 11154-E





THULE WingBar Evo	THULE WingBar Edge	THULE WingBar	THULE SquareBar	<b>Evo X (scale)</b>	<b>Edge X (scale)</b>
NISSAN Altima, 4-dr Sedan, 13-18				42,5	L

THULE ProBar	THULE SlideBar	<b>X (mm/inch)</b>		
NISSAN Altima, 4-dr Sedan, 13-18		1076 mm / 42 <sup>3</sup> / <sub>8</sub> "		



THULE WingBar Evo	THULE WingBar Edge	THULE WingBar	THULE SquareBar	<b>Evo Y (scale)</b>	<b>Edge Y (scale)</b>
NISSAN Altima, 4-dr Sedan, 13-18				38,5	B

THULE ProBar	THULE SlideBar	<b>Y (mm/inch)</b>		
NISSAN Altima, 4-dr Sedan, 13-18		1036 mm / 40 <sup>3</sup> / <sub>4</sub> "		

	<b>W (mm/inch)</b>	<b>Z (mm/inch)</b>
NISSAN Altima, 4-dr Sedan, 13-18	650 mm / 25 <sup>5</sup> / <sub>8</sub> "	265 mm / 10 <sup>3</sup> / <sub>8</sub> "

