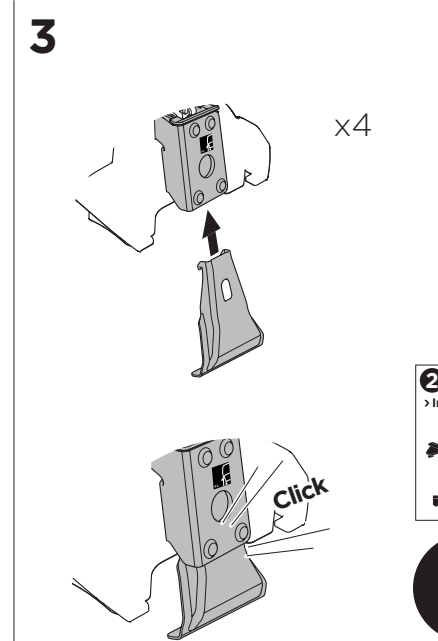
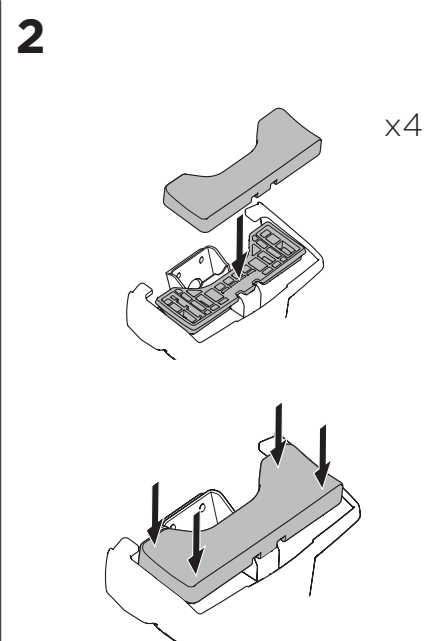
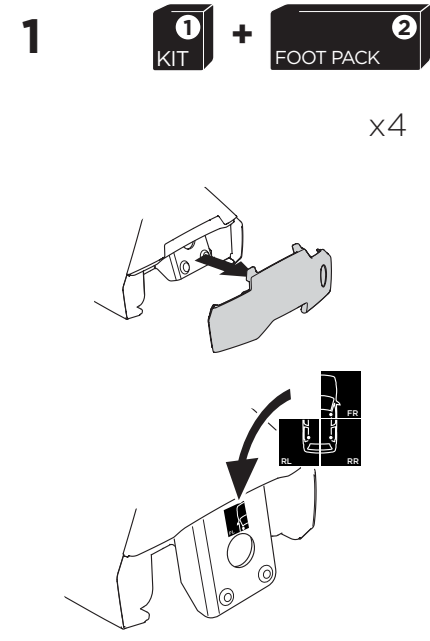
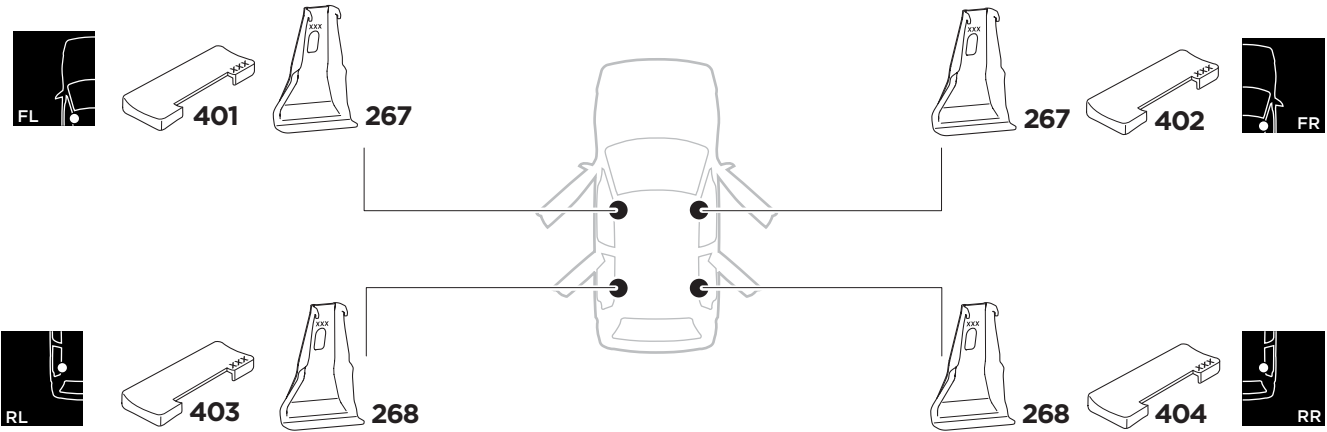
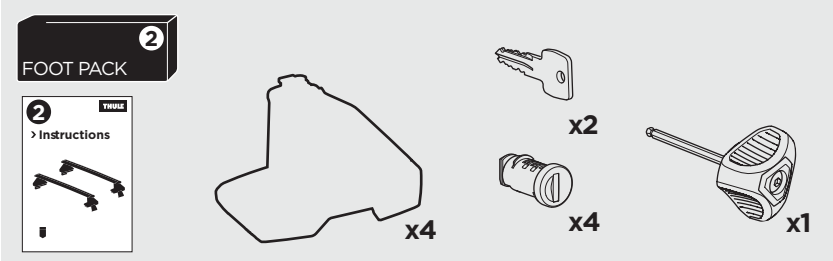
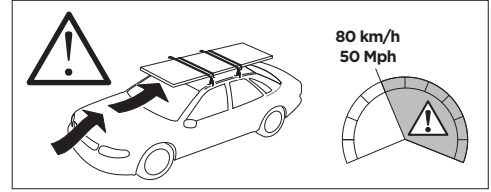
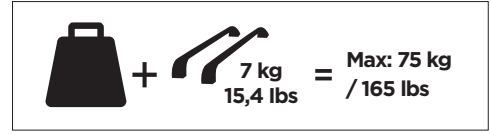
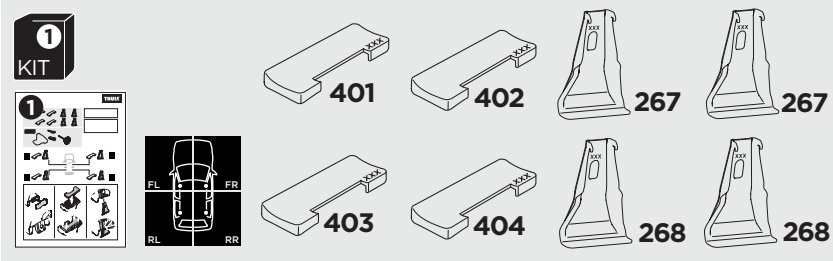


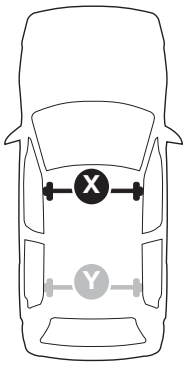
# 1

## Kit 5103

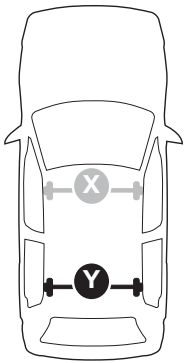
CHEVROLET Malibu, 4-dr Sedan, 16-

ISO 11154-E





THULE WingBar Evo	THULE WingBar Edge	THULE WingBar	THULE SquareBar	<b>Evo X (scale)</b>	<b>Edge X (scale)</b>
<b>CHEVROLET Malibu, 4-dr Sedan, 16-</b>				<b>49,5</b>	<b>P</b>
THULE ProBar	THULE SlideBar				<b>X (mm/inch)</b>
<b>CHEVROLET Malibu, 4-dr Sedan, 16-</b>				<b>1146 mm / 45 1/8"</b>	



THULE WingBar Evo	THULE WingBar Edge	THULE WingBar	THULE SquareBar	<b>Evo Y (scale)</b>	<b>Edge Y (scale)</b>
<b>CHEVROLET Malibu, 4-dr Sedan, 16-</b>				<b>46,5</b>	<b>D</b>
THULE ProBar	THULE SlideBar				<b>Y (mm/inch)</b>
<b>CHEVROLET Malibu, 4-dr Sedan, 16-</b>				<b>1116 mm / 43 7/8"</b>	

	<b>W (mm/inch)</b>	<b>Z (mm/inch)</b>
<b>CHEVROLET Malibu, 4-dr Sedan, 16-</b>	<b>720 mm / 28 3/8"</b>	<b>260 mm / 10 1/4"</b>

