

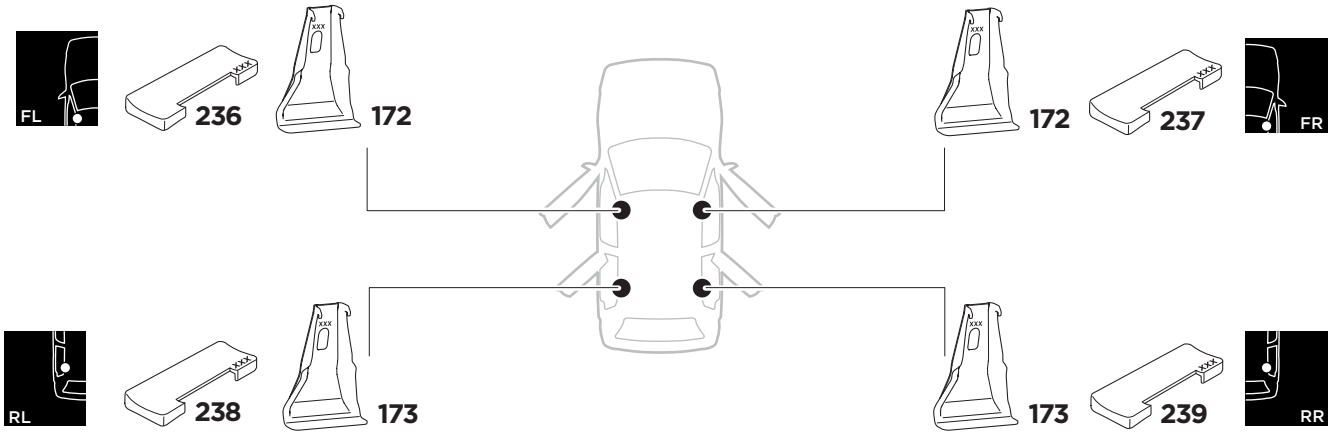
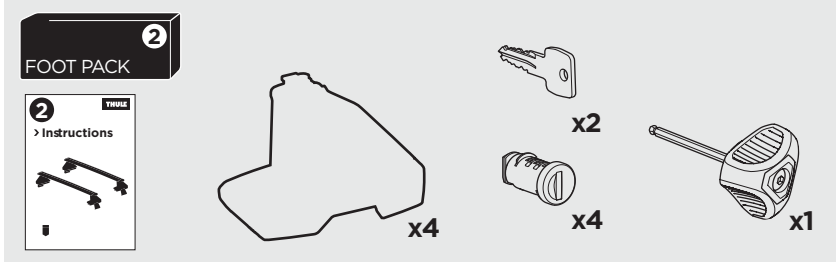
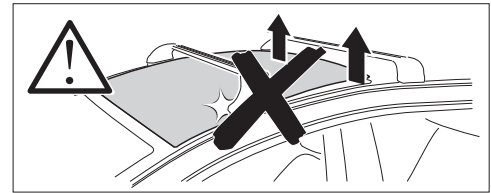
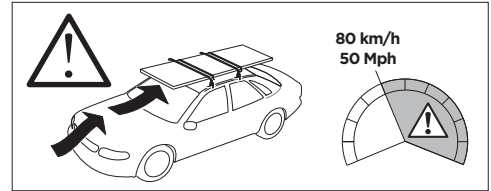
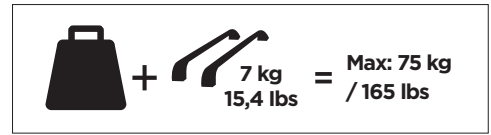
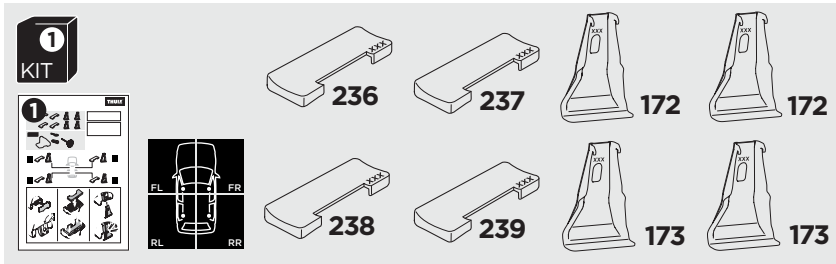
# 1

## Kit 5081 KIA Stinger, 5-dr Hatchback, 18-

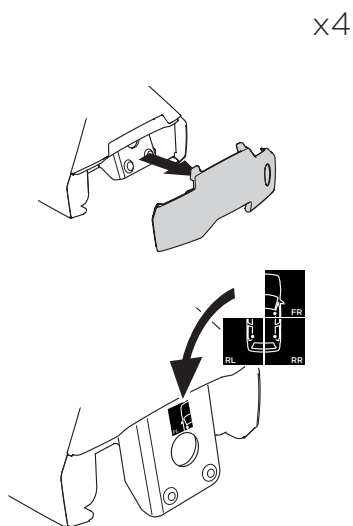
THULE  
GUARANTEE

ISO 11154-E

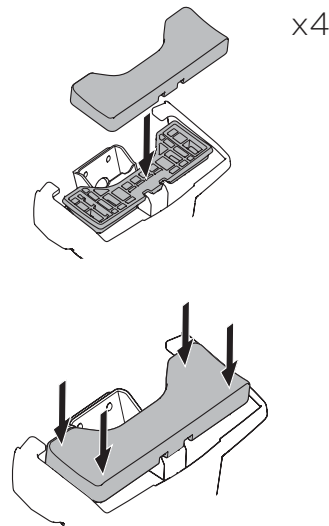
**THULE**  
SWEDEN



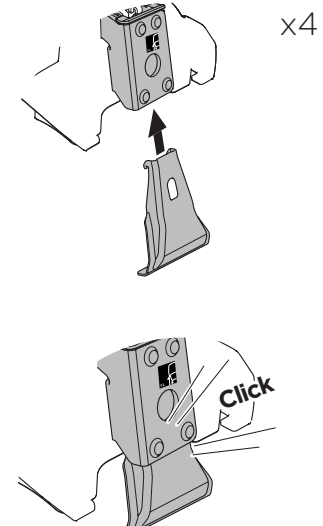
**1** **1** KIT + **2** FOOT PACK

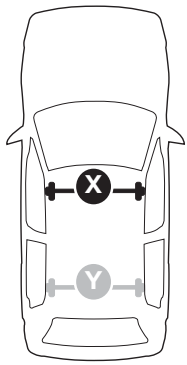


**2**



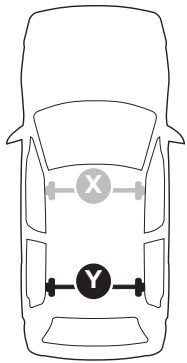
**3**





THULE WingBar Evo	THULE WingBar Edge	THULE WingBar	THULE SquareBar	<b>Evo X (scale)</b>	<b>Edge X (scale)</b>
<b>KIA Stinger, 5-dr Hatchback, 18-</b>				<b>44</b>	<b>I</b>

THULE ProBar	THULE SlideBar	<b>X (mm/inch)</b>		
<b>KIA Stinger, 5-dr Hatchback, 18-</b>		<b>1091 mm / 43"</b>		



THULE WingBar Evo	THULE WingBar Edge	THULE WingBar	THULE SquareBar	<b>Evo Y (scale)</b>	<b>Edge Y (scale)</b>
<b>KIA Stinger, 5-dr Hatchback, 18-</b>				<b>40</b>	<b>Q</b>

THULE ProBar	THULE SlideBar	<b>Y (mm/inch)</b>		
<b>KIA Stinger, 5-dr Hatchback, 18-</b>		<b>1051 mm / 41 3/8"</b>		

	<b>W (mm/inch)</b>	<b>Z (mm/inch)</b>
<b>KIA Stinger, 5-dr Hatchback, 18-</b>	<b>700 mm / 27 1/2"</b>	<b>230 mm / 9"</b>

