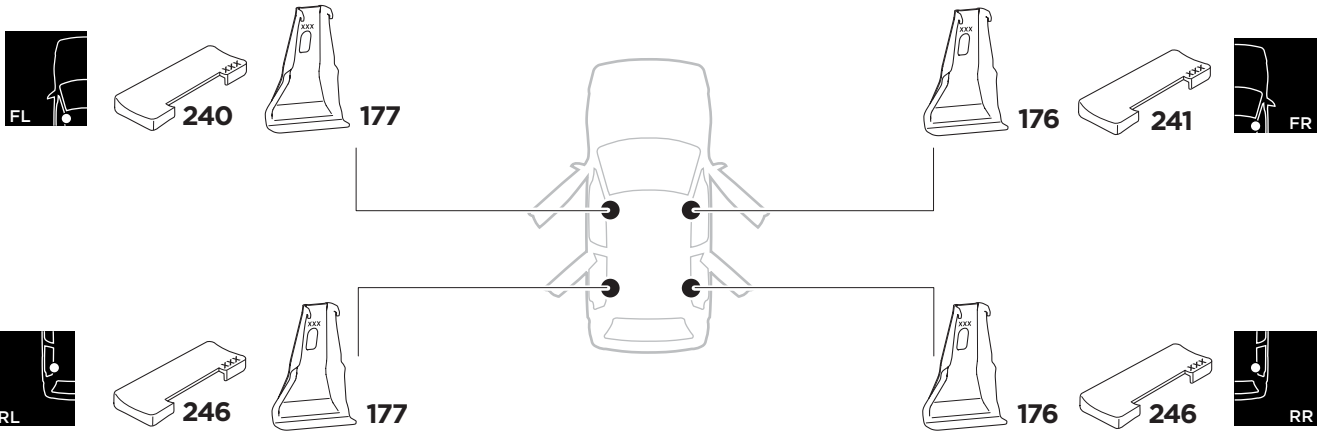
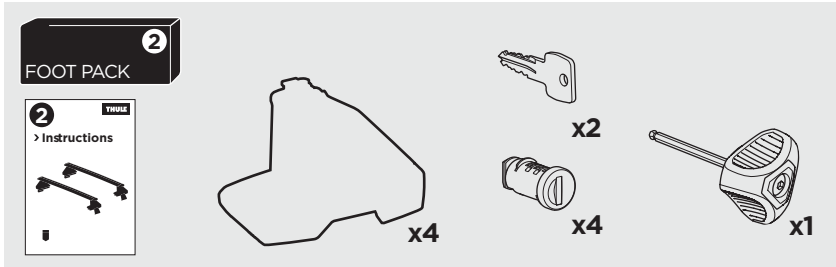
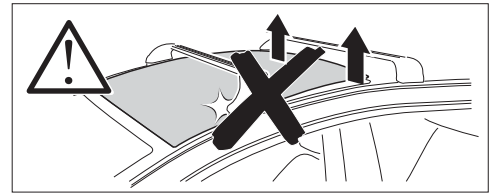
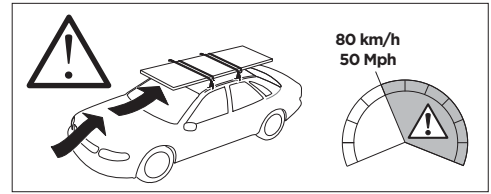
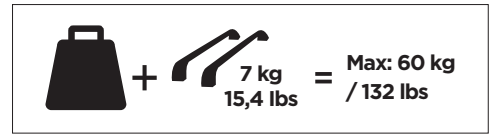
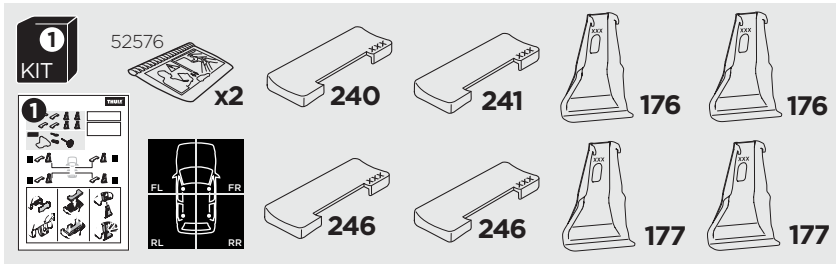


1

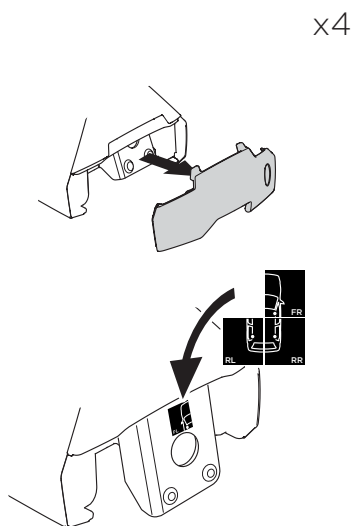
Kit 5075

VOLKSWAGEN Arteon, 5-dr Hatchback, 17-

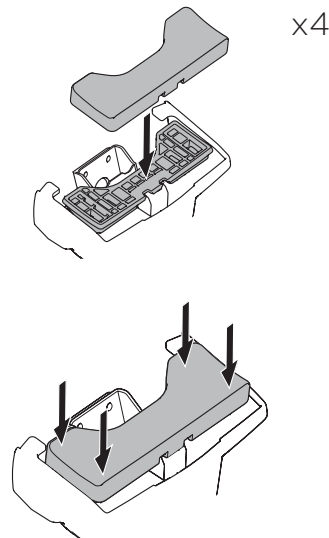
ISO 11154-E



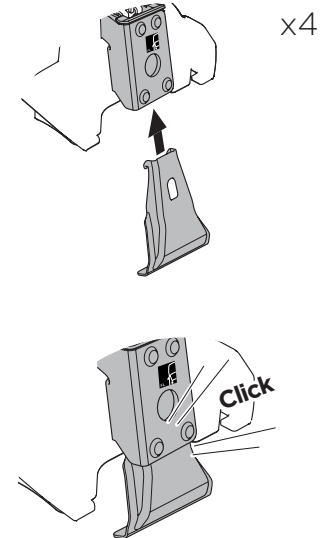
1 **1 KIT** + **2 FOOT PACK** **2**

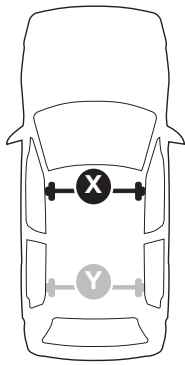


2



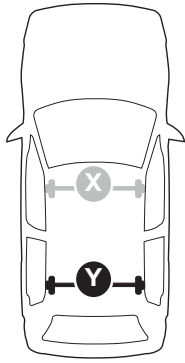
3





THULE WingBar Evo	THULE WingBar Edge	THULE WingBar	THULE SquareBar	Evo X (scale)	Edge X (scale)
VOLKSWAGEN Arton, 5-dr Hatchback, 17-				47,5	B

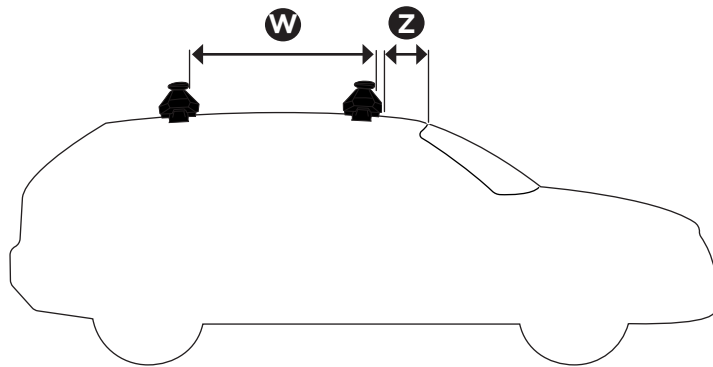
THULE ProBar	THULE SlideBar	X (mm/inch)		
VOLKSWAGEN Arton, 5-dr Hatchback, 17-		1126 mm / 44 3/8"		



THULE WingBar Evo	THULE WingBar Edge	THULE WingBar	THULE SquareBar	Evo Y (scale)	Edge Y (scale)
VOLKSWAGEN Arton, 5-dr Hatchback, 17-				44	I

THULE ProBar	THULE SlideBar	Y (mm/inch)		
VOLKSWAGEN Arton, 5-dr Hatchback, 17-		1091 mm / 43"		

	W (mm/inch)	Z (mm/inch)
VOLKSWAGEN Arton, 5-dr Hatchback, 17-	755 mm / 29 3/4"	150 mm / 5 7/8"



i

