

1

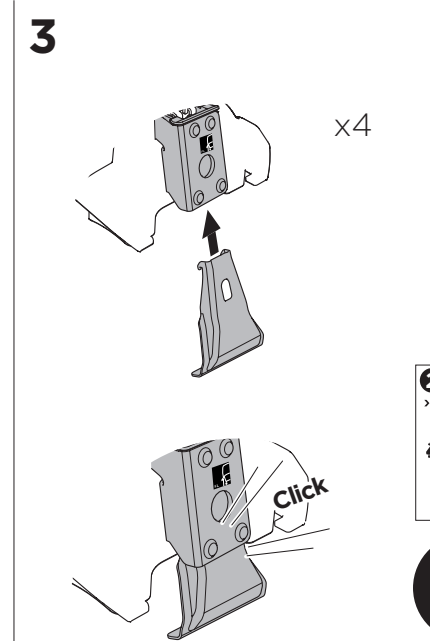
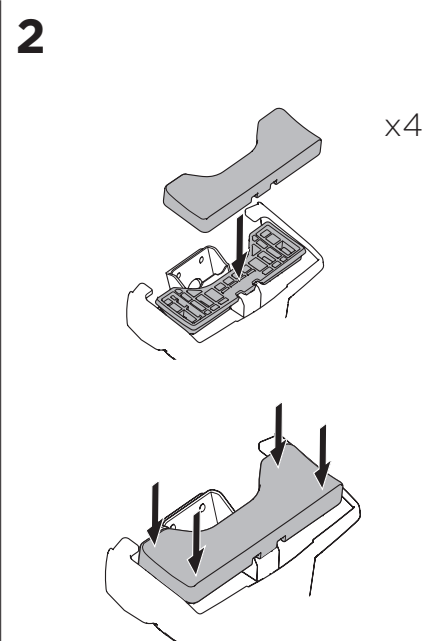
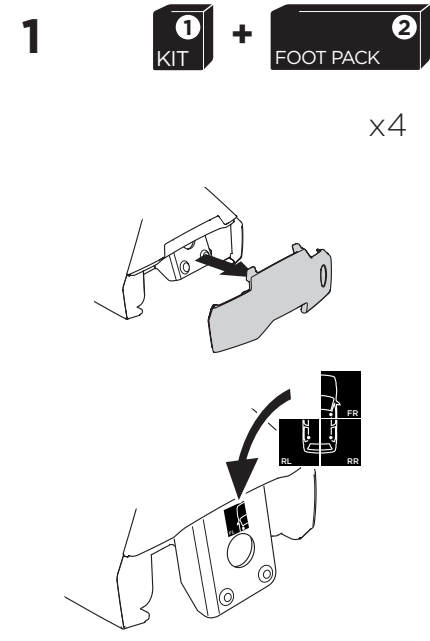
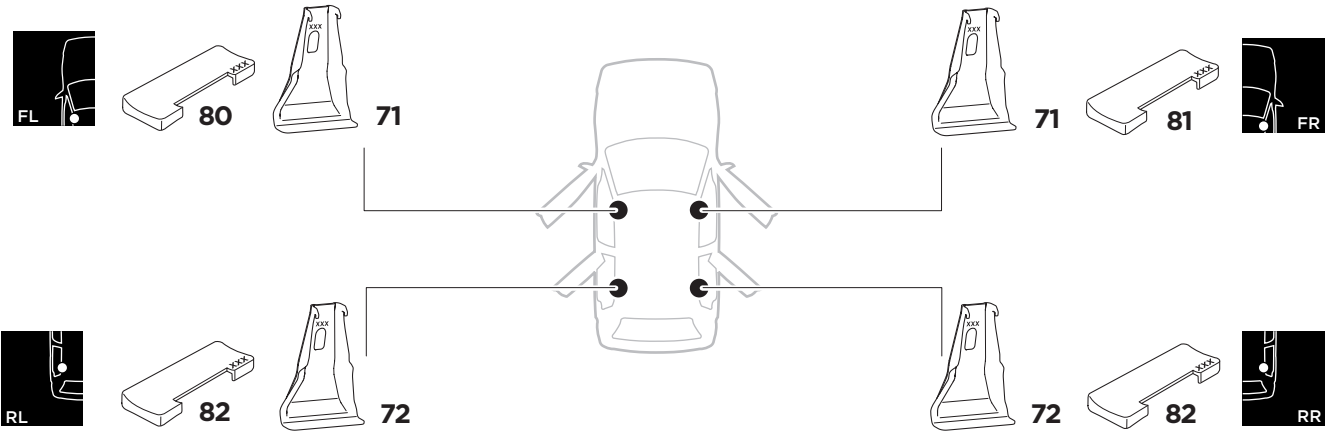
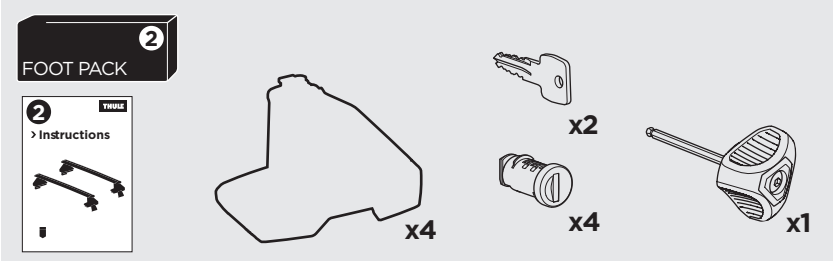
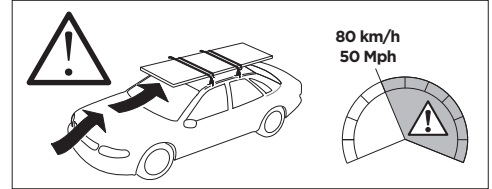
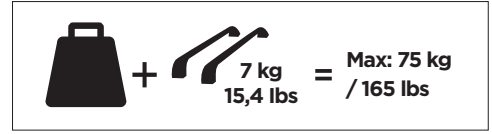
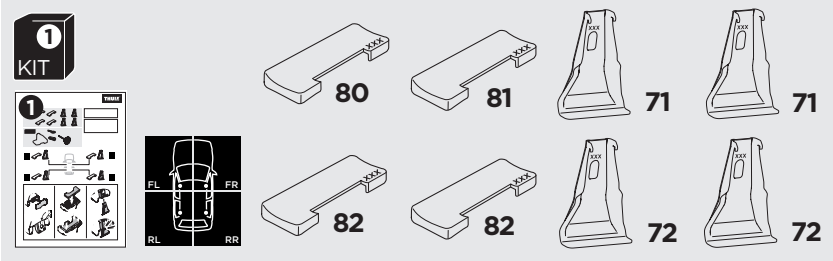
Kit 5001

TOYOTA Prius, 5-dr Hatchback, 09-15 / *10-15

*North America



ISO 11154-E





| | | | | | |
|---|--------------------|---------------|-----------------|--------------------------|-----------------------|
| THULE WingBar Evo | THULE WingBar Edge | THULE WingBar | THULE SquareBar | Evo X (scale) | Edge X (scale) |
| TOYOTA Prius, 5-dr Hatchback, 09-15 / *10-15 | | | | 40 | Q |
| THULE ProBar | THULE SlideBar | | | | X (mm/inch) |
| TOYOTA Prius, 5-dr Hatchback, 09-15 / *10-15 | | | | 1051 mm / 41 3/8" | |



| | | | | | |
|---|--------------------|---------------|-----------------|--------------------------|-----------------------|
| THULE WingBar Evo | THULE WingBar Edge | THULE WingBar | THULE SquareBar | Evo Y (scale) | Edge Y (scale) |
| TOYOTA Prius, 5-dr Hatchback, 09-15 / *10-15 | | | | 35,5 | H |
| THULE ProBar | THULE SlideBar | | | | Y (mm/inch) |
| TOYOTA Prius, 5-dr Hatchback, 09-15 / *10-15 | | | | 1006 mm / 39 5/8" | |

| | | |
|---|-------------------------|------------------------|
| | W (mm/inch) | Z (mm/inch) |
| TOYOTA Prius, 5-dr Hatchback, 09-15 / *10-15 | 720 mm / 27 1/2" | 250 mm / 9 7/8" |

