



> bring your life

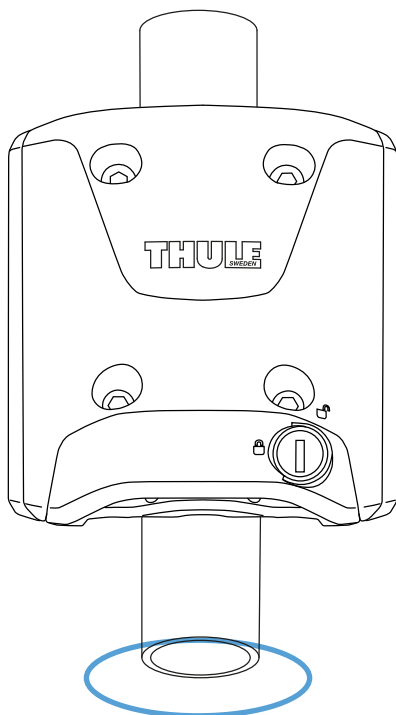
EN

Congratulations on your purchase of the Thule RideAlong rear bicycle child seat. This is a premium product with every detail carefully designed for high safety and easy use. We wish you and your child many enjoyable moments together, exploring the world by bicycle.

> product overview

EN The Thule RideAlong is an adjustable rear bicycle child seat, approved for children from 9 months to 6 years with a maximum weight of 22 kg (48.5 lbs). Please read this manual carefully before installing or using the bicycle seat to learn about its functions and operation.





Bicycle frame tube

COMPATIBLE FRAMES



diameter 27.2-40 mm
diameter 1.07-1.57"



max
40x55 mm
max
1.57x2.16"

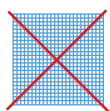
NON-COMPATIBLE FRAMES



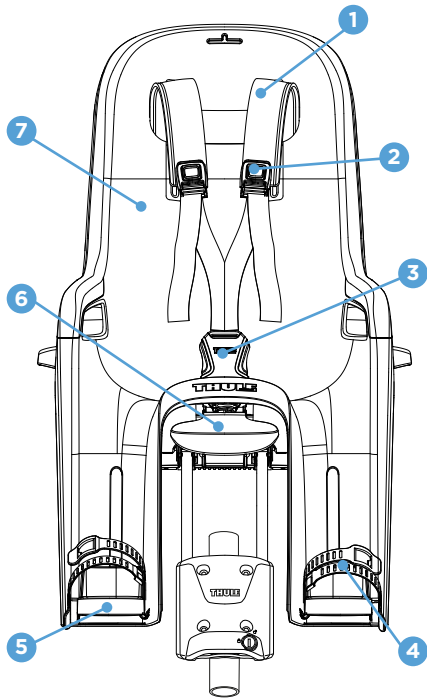
square
Vierkant



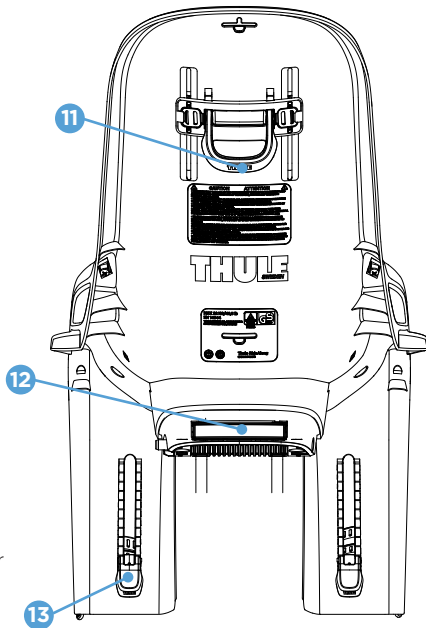
triangular
Dreieckig



carbon fibre
Carbon

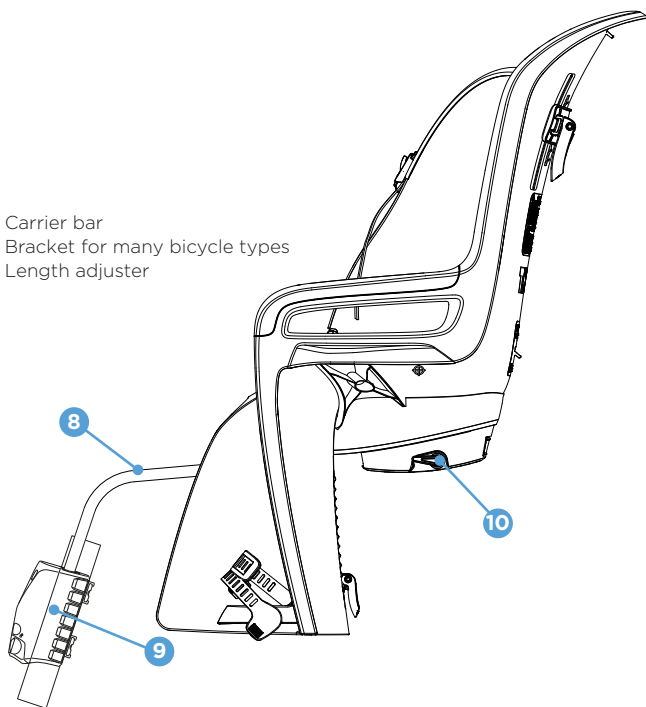


- 1 Comfortable harness
- 2 Harness length adjuster
- 3 Safety buckle
- 4 Fold-down footstraps
- 5 Footrest
- 6 Tilt adjuster
- 7 Washable padding

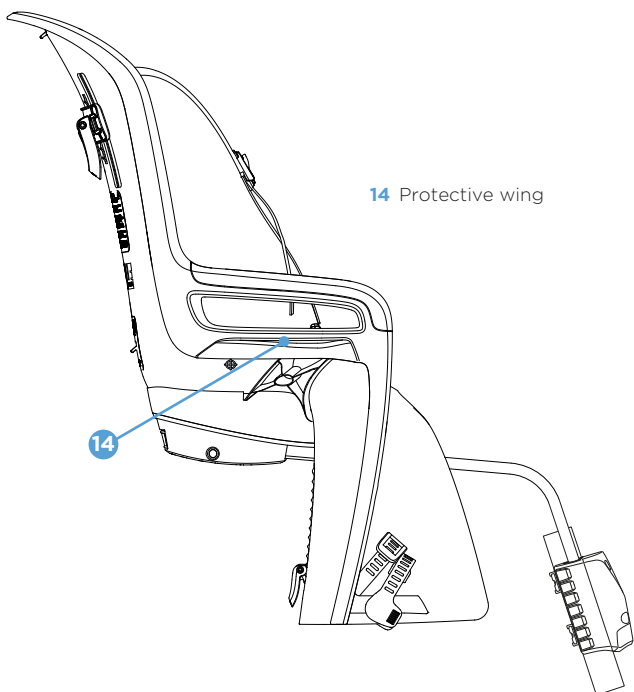


- 11 Harness height adjuster
- 12 Reflector
- 13 Footrest height adjuster

- 8 Carrier bar
- 9 Bracket for many bicycle types
- 10 Length adjuster



- 14 Protective wing



> caution

EN Please read the instructions carefully before mounting or using the Thule RideAlong rear bicycle child seat. We wish you and your child many pleasant experiences when you explore the world by bicycle.

EN CAUTION

INSTALLATION

Be sure to keep this manual in a safe place after you have mounted the bicycle seat. You or other users may need it for future reference.

Make sure your bicycle is compatible with this child seat. If you have any questions, please check the information supplied with the bicycle, or ask the bicycle dealer or manufacturer.

Only mount to the frame. This product fits round frames with a diameter of 27.2-40 mm (1.07-1.57") and elliptical frames max 40x55 mm (1.57x2.16").

Cannot be mounted on bicycles with square, triangular or carbon fibre frames.

Maximum width of the luggage carrier is 155 mm (6,10").

Identify the centre of gravity mark and mount the seat as far forward as possible. Preferably, have this mark in front of the rear wheel axle, but on no account more than 100 mm (3.94") behind a point vertically above the rear wheel axle.

Make sure the bracket screws

are fully tightened, and check them frequently.

This product is not suitable for use on a moped.

For the child's optimum comfort and safety, make sure the seat does not slope forwards, allowing the child to slide out of it. Preferably, the backrest should slope slightly backwards.

Check that all parts of the bicycle function correctly with the seat mounted.

USE

This product is approved for children from 9 months up to 6 years old, with a weight of 9-22 kg (20-48.5 lbs). Do not carry a child that is too young, and always consult a pediatrician before transporting a child younger than 1 year. Carry only children that are able to sit unaided for a longer period of time, at least as long as the intended cycle journey. Regardless of age, the child must be able to hold his/her head up while wearing a correctly sized bicycle helmet. Check regularly that the child does not exceed the maximum weight.

Before each use, check all

screws to verify that the child seat is securely fastened to the bicycle.

During the ride, make sure both you and your child wear an approved bicycle helmet.

Never ride the bicycle at night without adequate lighting. Do not cover the rear reflectors or rear light when using the child seat on a bicycle.

The presence of a child bicycle seat may require you to change the way you get on/off the bicycle. Please pay extra attention to this.

Before each ride, ensure the mounted bicycle seat does not interfere with braking, pedalling or steering.

Always use the harness, and make sure you fasten it correctly round the child. Ensure the harness and footstraps are not loose or could become trapped in moving parts such as wheels. This also applies when you are using the bicycle without a child in the seat.

Make sure the child's clothes, shoes, toys or body parts do not come into contact with any moving parts of the bicycle, such as wheels, wires and saddle springs. Check this regularly as the child grows. Saddle springs can be covered with a suitable spring guard.

Ensure there are no sharp objects within reach of the child, e.g. frayed cables.

The seated child often needs warmer clothes than the rider does. To protect you both from unexpected rain it is wise to carry waterproof clothing. Never ride in inclement or hazardous conditions, such as cold weather that could cause the child to suffer frostbite.

Check the temperature of the seat before seating the child, especially on hot, sunny days.

Remove the child seat when transporting the bicycle on a car. Air turbulence might damage the seat or loosen its fastening, which could result in an accident.

Before use, check whether there are any national laws and regulations specific to carrying a child in a bicycle child seat.

MAINTENANCE

To clean the child seat, only use lukewarm soapy water. To clean the padding, see the washing instructions on the padding.

If any part of the child seat is damaged or broken, please contact your closest Thule dealer.

WARNINGS

Do not attach extra luggage or equipment to the child seat. Any extra load is best attached to the front end of the bicycle.

Do not modify the product in any way.

The bicycle may behave differently with a child in the seat, particularly regarding balance, steering and braking.

Never leave the bicycle parked unattended with a child in the seat.

Never leave the child in the seat when the bicycle is parked and supported only by a kickstand.

Do not use the seat if any part is broken.

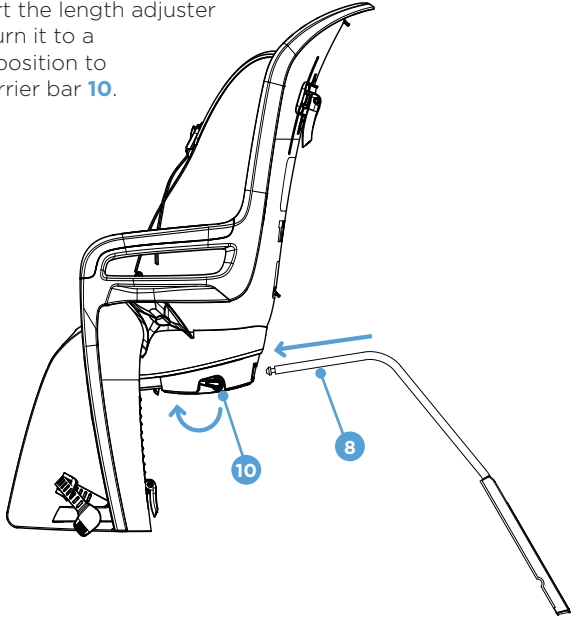
Failure to comply with the safety instructions can lead to serious injury or death of the child or rider.

› installation

- EN** Before installing the Thule RideAlong rear bicycle child seat, please read these instructions carefully. Check that your bicycle type is compatible with the Thule RideAlong, and make sure you follow the installation instructions to give your child a safe and comfortable ride.

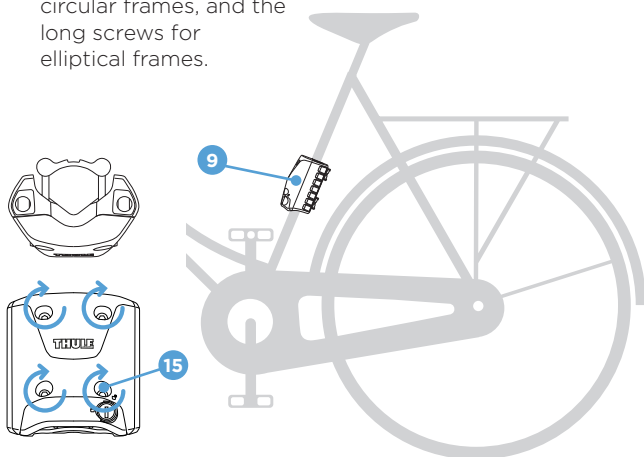
1 Mount carrier bar to seat

EN Remove the carrier bar **8** from the back of the seat. Turn the length adjuster **10** to a vertical position and remove it. Insert the carrier bar fully, with the tips pointing down. Insert the length adjuster fully, and turn it to a horizontal position to lock the carrier bar **10**.



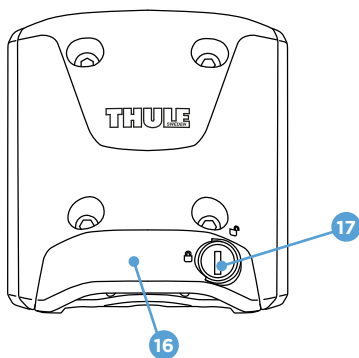
2 Fasten bracket to bicycle

- EN** Place the bracket against the bicycle frame with the blue release button facing down **9**. Fasten the bracket by screwing the four front-mounted screws **15**, but do not tighten them fully yet, to allow the height to be adjusted later. Use the short screws for circular frames, and the long screws for elliptical frames.



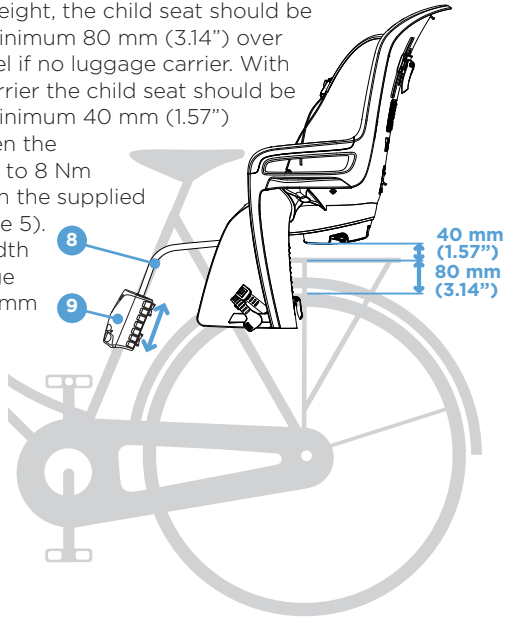
3 Bracket functionality

EN The bracket has a blue button to release the carrier bars **16**. The bracket includes a Thule One-Key system lock **17** to prevent theft.



4 Mount child seat to bracket

EN Insert the carrier bar **8** into the bracket **9** until you hear a click. Adjust the bracket to the correct height, the child seat should be positioned minimum 80 mm (3.14") over the rear wheel if no luggage carrier. With a luggage carrier the child seat should be positioned minimum 40 mm (1.57") above. Tighten the screws firmly to 8 Nm (5,9 lb-ft) with the supplied Allen key (size 5). Maximum width of the luggage carrier is 155 mm (6.10").

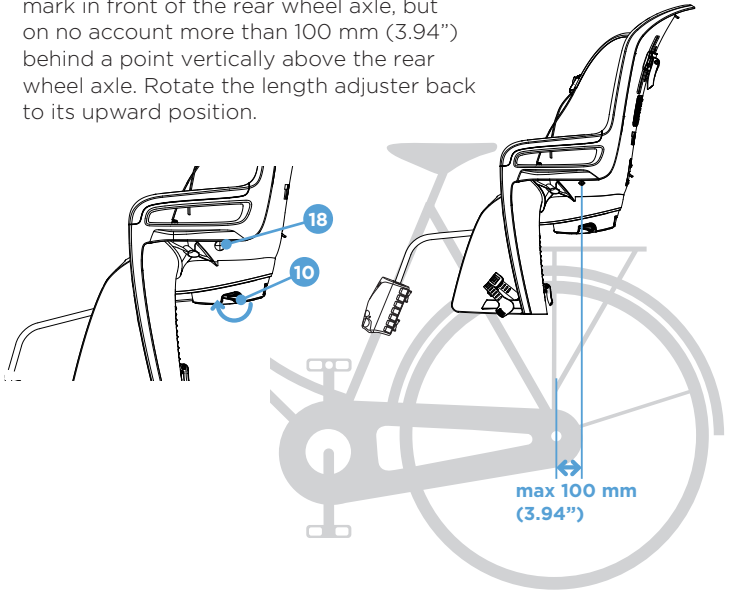


› functions

- EN** The Thule RideAlong is an adjustable, rear bicycle child seat that can grow with your child. The seat adjusts for children of different heights, and can also be equipped with optional accessories such as coloured paddings, an extra bracket and a low saddle adaptor.

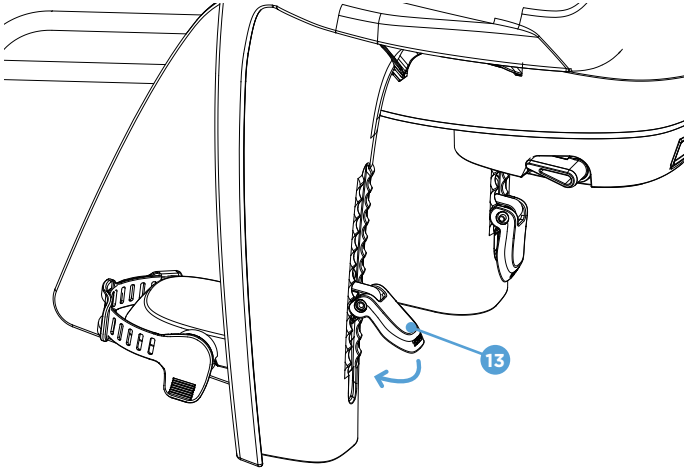
5 Seat length adjustment

EN Rotate the length adjuster 90 degrees downwards **10**. Identify the centre of the gravity mark **18** and mount the seat as far forward as possible. Preferably, have this mark in front of the rear wheel axle, but on no account more than 100 mm (3.94") behind a point vertically above the rear wheel axle. Rotate the length adjuster back to its upward position.



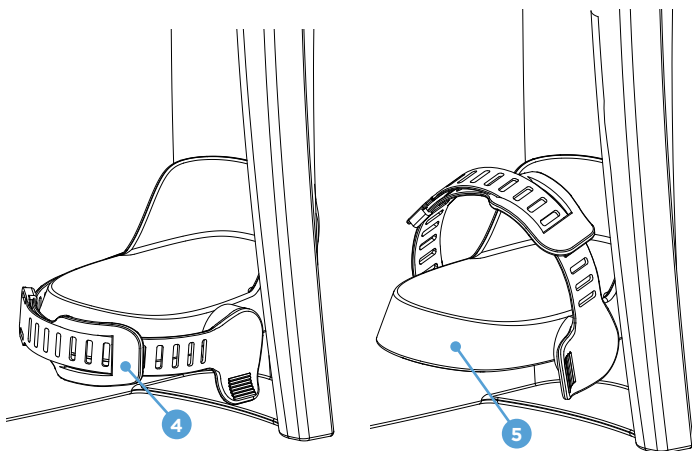
6 Footrest adjustment

- EN** Adjust the height of the footrest by turning the adjuster on the back upwards **13**. Position the footrest at the preferred height, and lock the adjuster by turning it downwards.



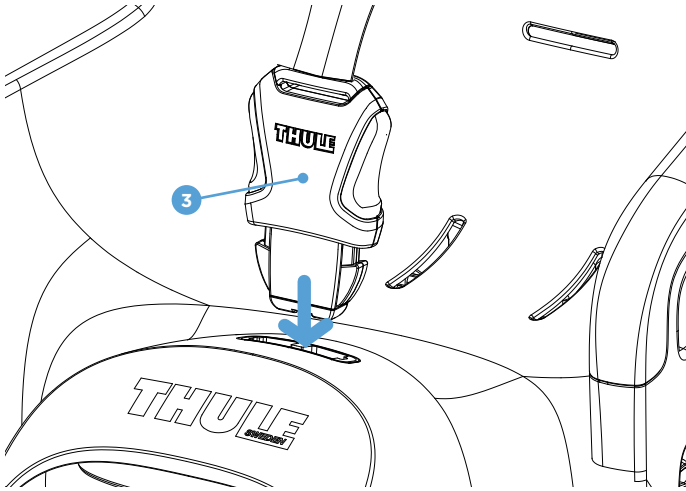
7 Footstrap adjustment

EN The footstraps **4** can be rotated down to be flush with the footrest **5**. To secure the foot, rotate the footstrap upwards over the foot and adjust it to fit the size of the foot.



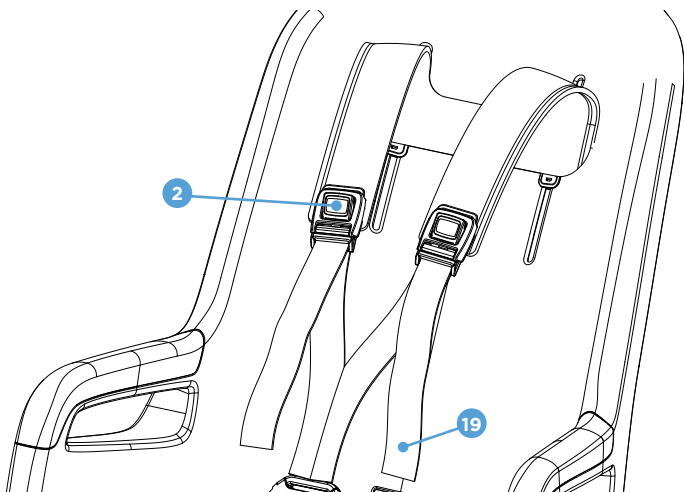
8 Harness fastening

- EN** Secure the harness by inserting the safety buckle **3** until you hear a click. To release the harness, press the two buttons simultaneously and pull the safety buckle upwards.



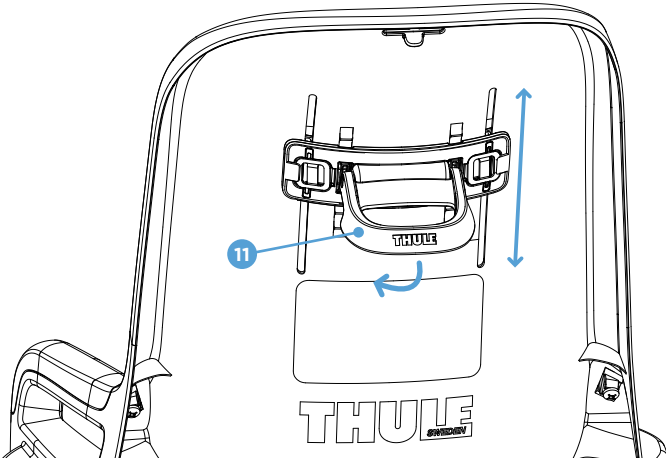
9 Harness adjustment

- EN** The length of the harness is easily adjustable. Shorten the straps with a one-handed pull on the end of the strap **19**. Lengthen the straps by pressing the blue button **2** and pulling the straps upwards.



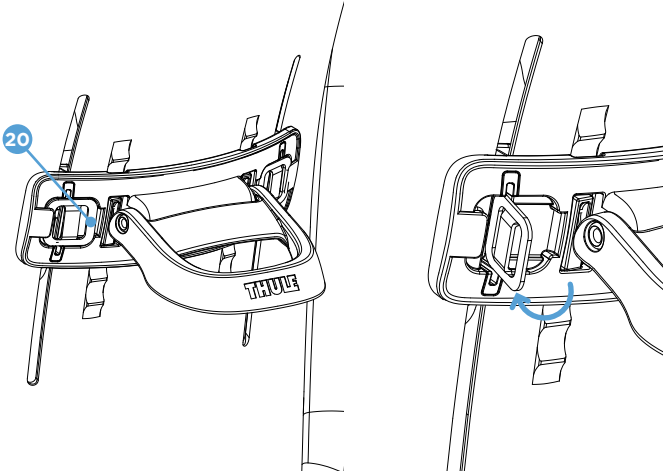
10 Harness height adjustment

EN Adjust the height of the harness to fit your child. For best security and comfort, the harness should be positioned in level with the child's shoulders. Turn the harness height adjuster **11** upwards. Adjust the harness to the appropriate height, and then turn the adjuster downwards to secure the harness.



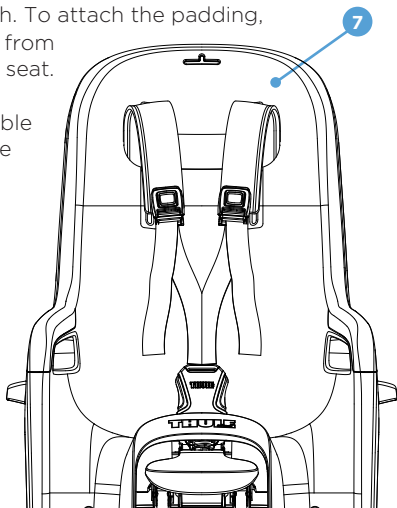
11 Harness removal

- EN** To remove the harness, insert the strap lock **20** from the back of the seat all the way through. Release the safety buckle, and the harness is disconnected from the seat. To fasten the harness, insert the strap lock from the front and secure it on the back plate.



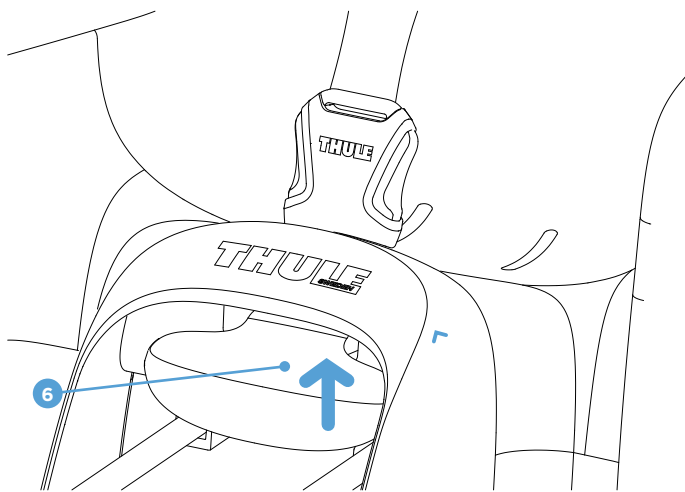
12 Padding

- EN** The child seat is equipped with reversible and washable padding **7** in two colours. To remove the padding, first release the harness from the seat, as described in step 11. Release the two locks on the backrest and bottom of the seat, and insert them all the way through. To attach the padding, insert the locks from the front of the seat. The padding is machine washable in 30 °C delicate wash. Wash separately.



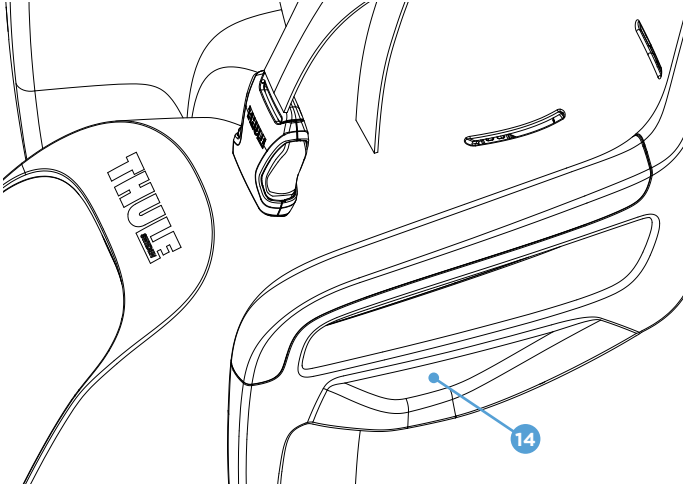
13 Tilt to rest

- EN** The child seat can be tilted backwards up to 20 degrees, to give a comfortable position for resting. Press the tilt adjuster **6**, and adjust the seat to one of five different angles.



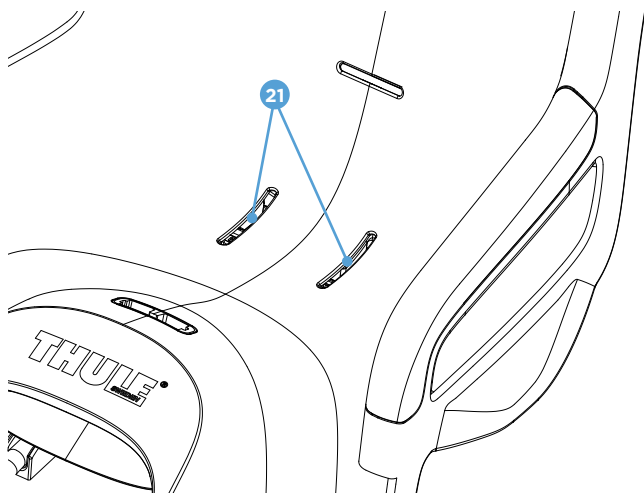
14 Protective wing

EN If the child seat is leant against a wall, the protective wing **14** maintains a safe distance between the wall and the child's hand to avoid trapping it. Never leave the bicycle parked unattended with a child in the seat.



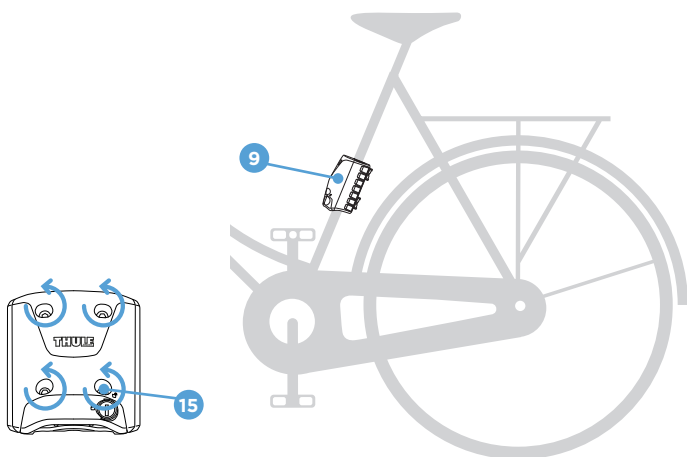
15 Drain holes

EN Practical drain holes **21** remove rainwater or any fluid spilled in the child seat. This lets the padding and seat dry out faster, for your child's comfort.

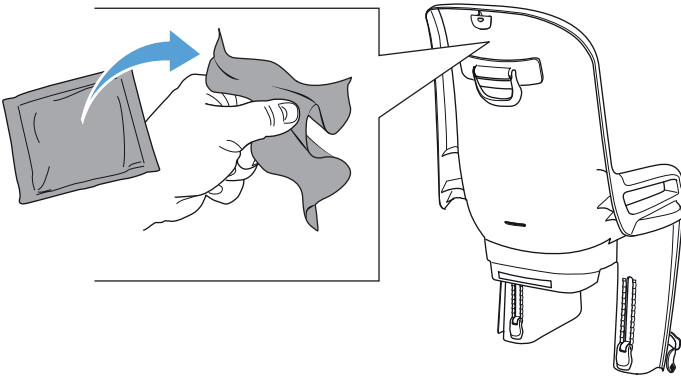
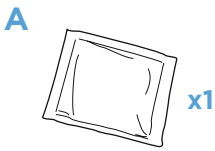
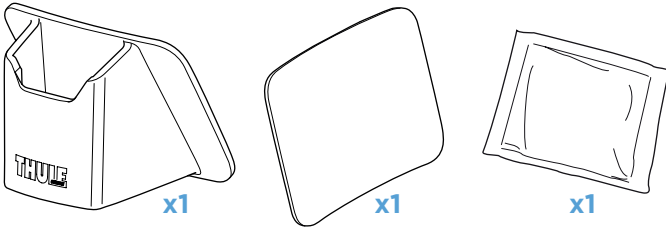


16 Removal of bracket from bicycle

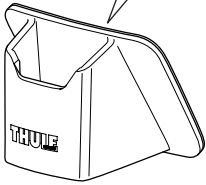
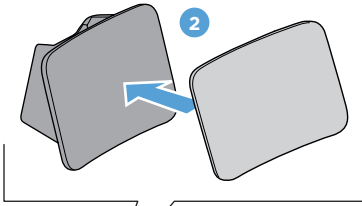
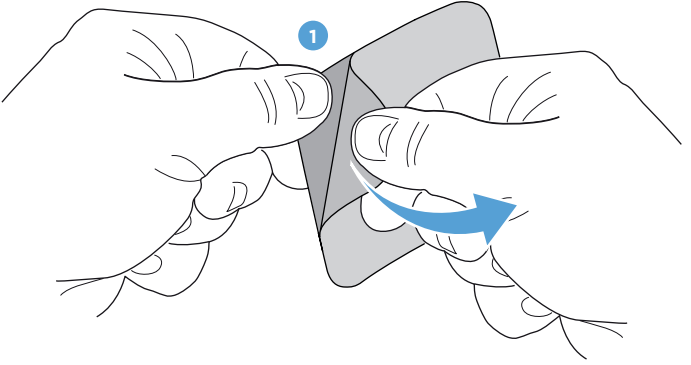
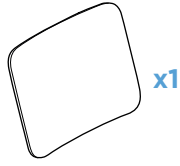
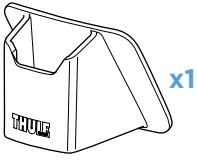
- EN** Remove the bracket **9** from the bicycle frame by unscrewing the four front-mounted screws **15**.



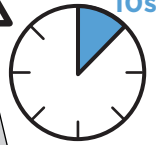
17 Rear Light Adapter



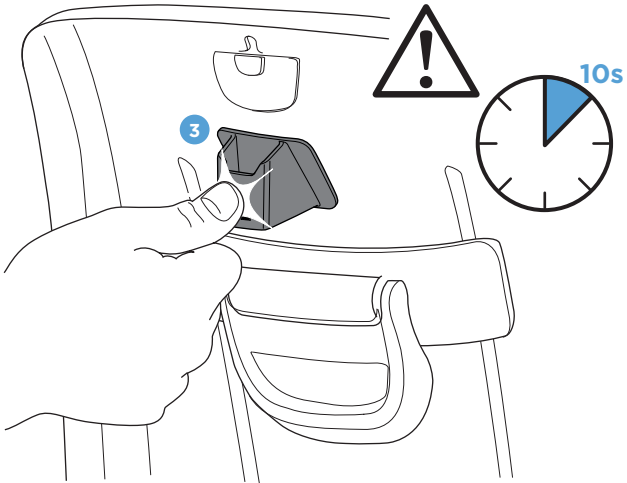
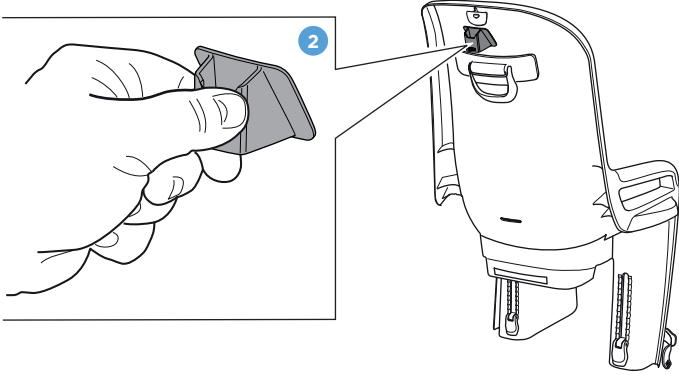
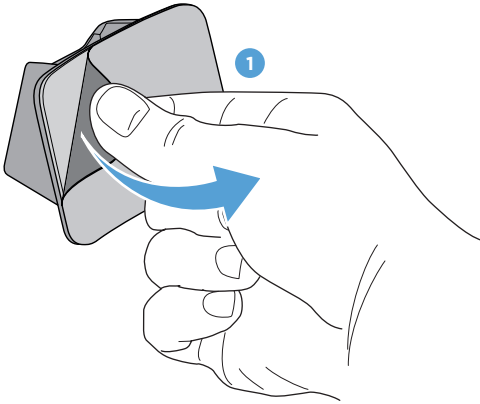
B



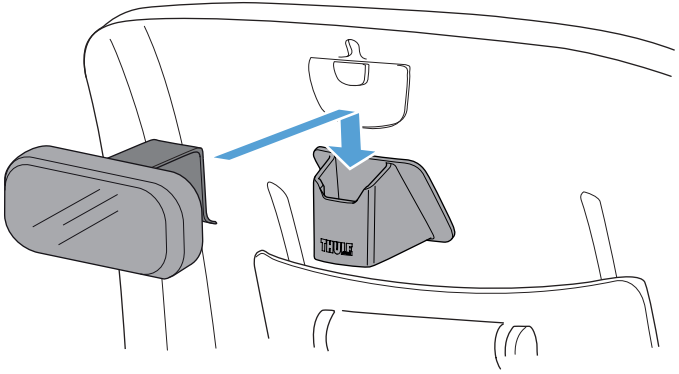
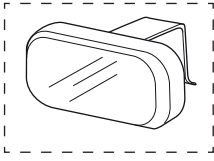
3



C

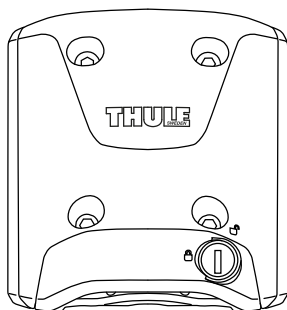


D



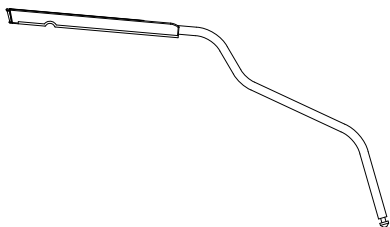
18 Extra bracket

EN Having an extra bracket makes it easy to move the child seat between two bicycles. This is the perfect solution for families where two people need to transport the child.



19 Low saddle adaptor

EN If your bicycle saddle is positioned too low to allow the child bicycle seat to be mounted safely, the low saddle adaptor is an optional accessory.



20 Extra padding

EN The padding **7** that comes with the bicycle seat is reversible, with different colours on each side. There is an optional extra padding if you need to replace the original padding, or if you would like to personalize the bicycle seat with a padding in another colour.

