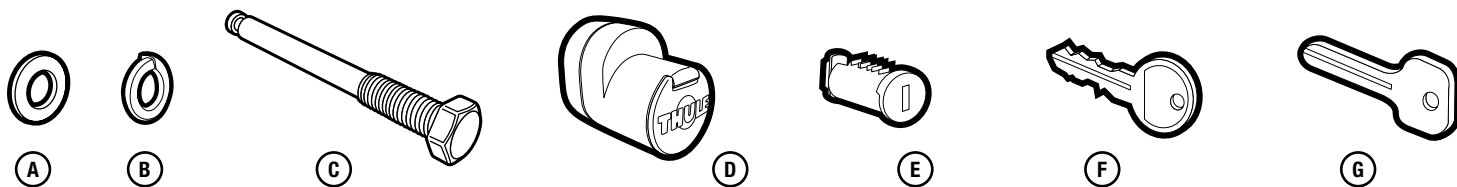


## PARTS INCLUDED



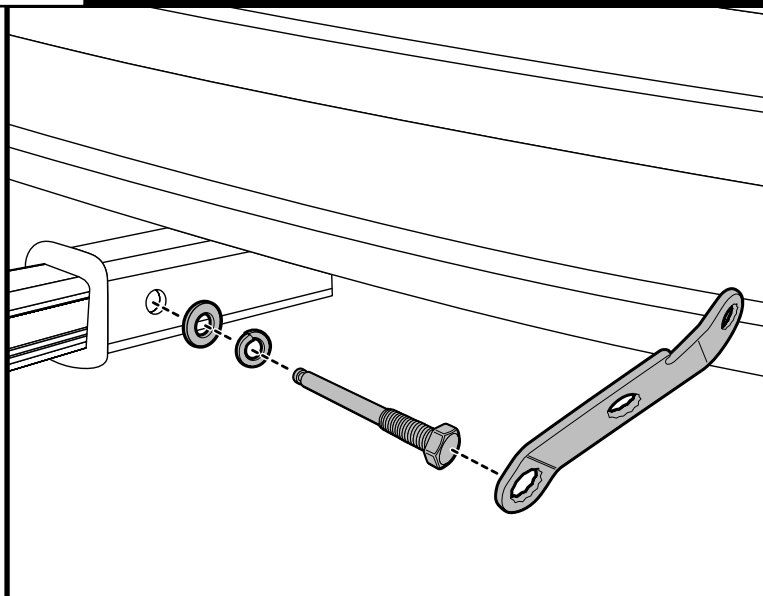
part	description	part number	qty.
A	washer 12mm id 24mm od /	951-1224-11	1
B	lockwasher 12mm id /	956-1221-11	1
C	hitch lock pin/	853-5917	1
D	hitch lock STL2 /	753-3725	1
E	lock cylinder /	-	1
F	locking key /	-	1
G	change key /	853-1251	1

## WARNINGS / LIMITATIONS

- Number of bicycles should not exceed designated carrying capacity for your specific model.
- Check tightness of all bolts and knobs periodically.
- Check straps for wear and replace if worn.
- Not intended for off-road use.
- Not intended for tandems or recumbents.
- Your vehicle must be equipped with a 2" or 1 1/4" receiver hitch.
- Do not install on a trailer or other towed vehicle.
- The maximum capacity for class 1 hitches is 2 bikes.

## 1

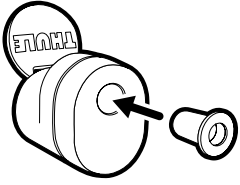
## INSTALLATION



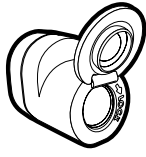
- Illustrations shows (2" receiver) application. Follow the same instructions for (1 1/4" receiver).
- Insert base into receiver.
- Assemble hitch pin (C), M12 lock washer (B), and M12 washer (A) as shown. Firmly tighten with hitch tool or adjustable wrench.

**2**

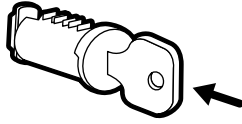
**LOCK CYLINDER INSTALLATION INTO STL2**



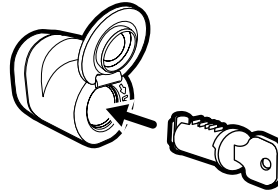
a. Remove and discard plug.



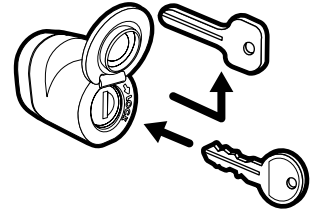
b. Open cover.



c. Insert change key (G) into lock cylinder (E).



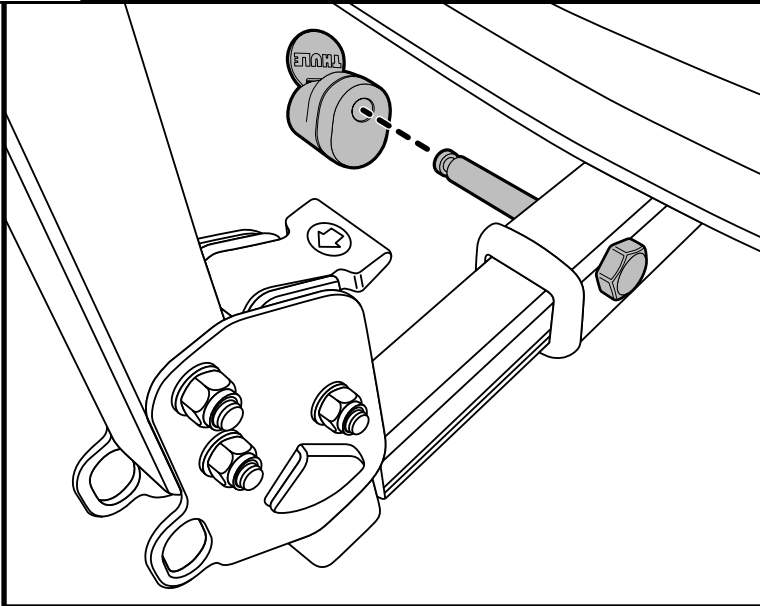
d. Insert cylinder into STL2 lock housing (D).



e. Remove change key. Insert locking key (F).

**3**

**SECURITY**



- Slide STL2 onto hitch pin, keeping key vertical.
- Turn key clock wise to lock, remove key.
- Close cover.