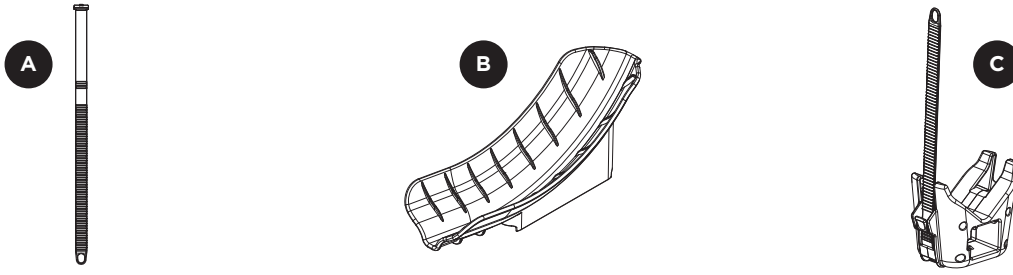
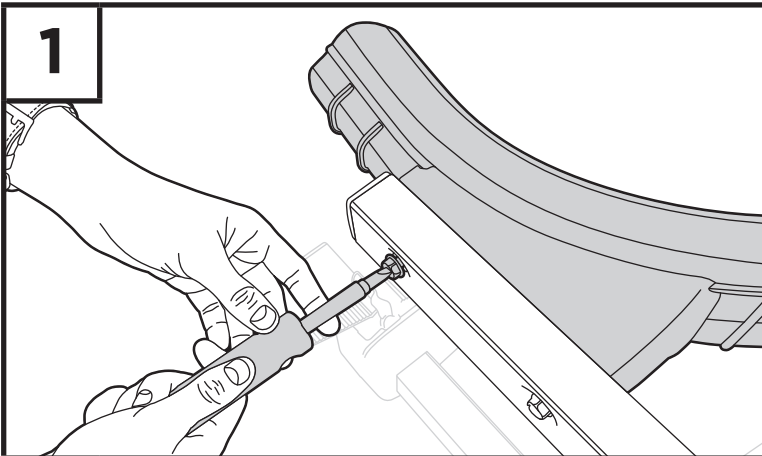


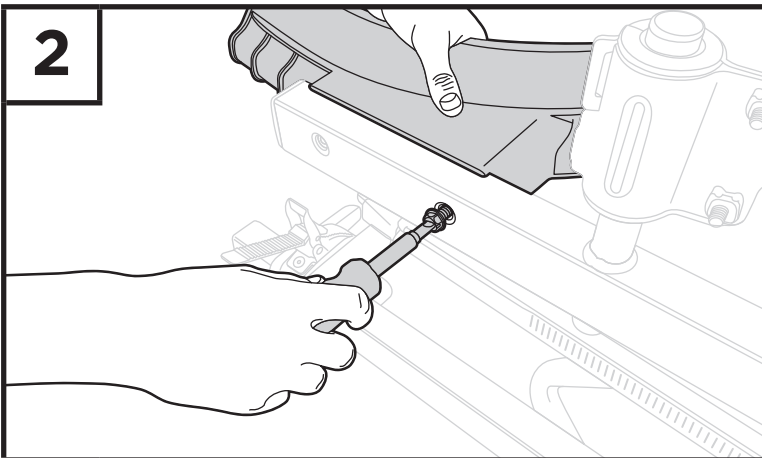
PARTS INCLUDED



part	description	part number	qty.
A	Wheel Strap, Fat Tire/	8527642001	1
B	Wheel Tray, Fat Tire	8523598001	1
C	Rear Wheel Holder, Fat Tire	7521568001	1

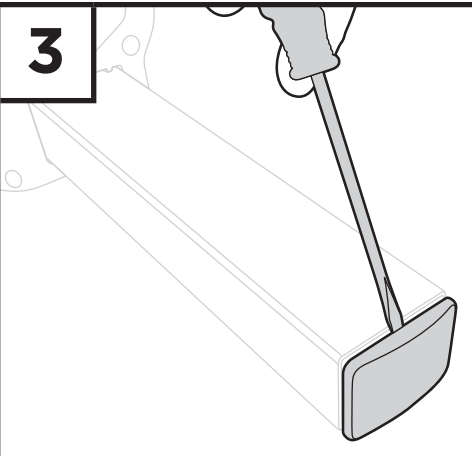


- Remove front wheel holder from T2.



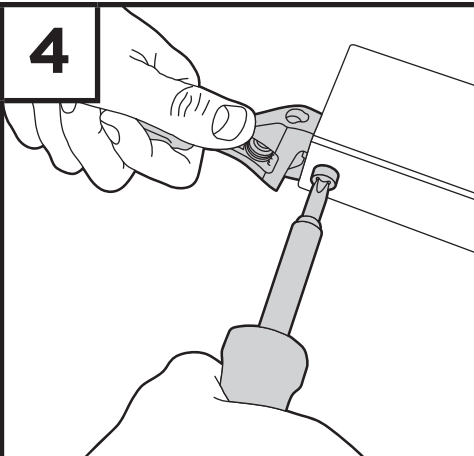
- Attach Fat Tire front wheel holder using same screws.

3



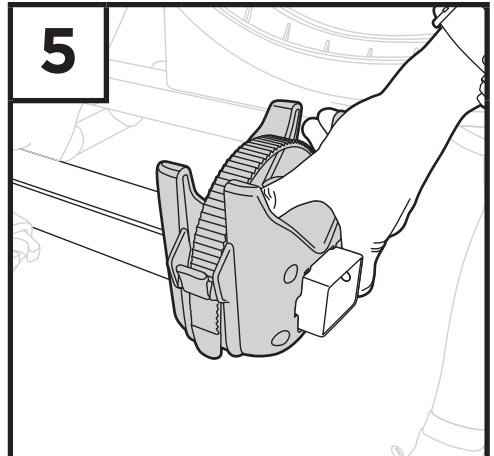
- Remove end cap from opposite end of tubing where rear wheel holder is located.

4



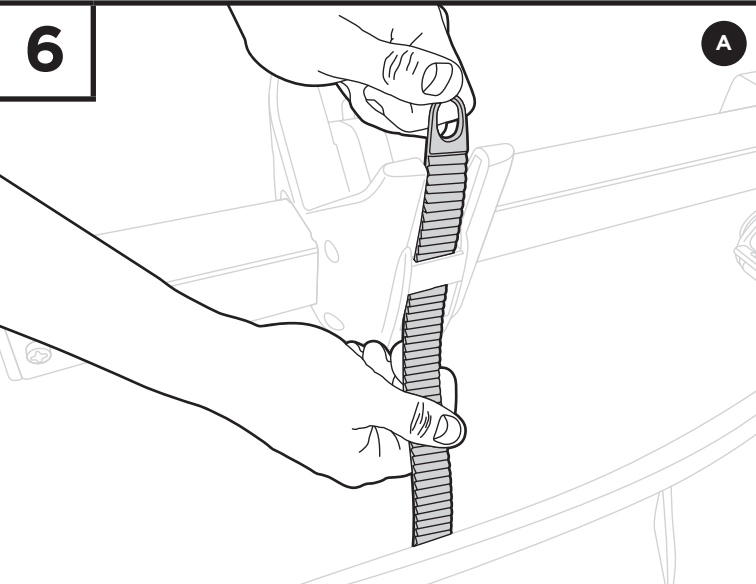
- With Phillips head screw driver and adjustable wrench, remove safety bolt.

5

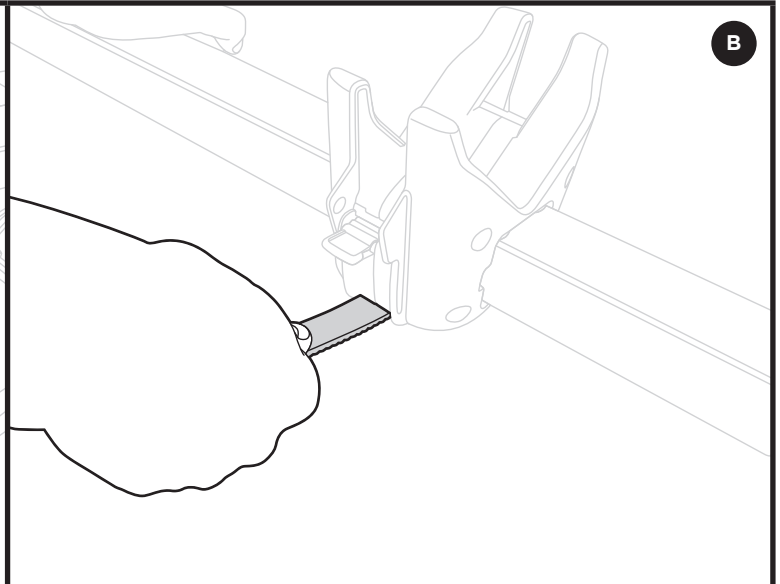


- Slide Fat Tire rear wheel holder onto tube. Make sure buckle is facing out, away from vehicle. Reattach safety bolt and end cap.

6



- For Fat Tires, route strap through slot in back of rear wheel holder.



- For regular size tires route strap through slot on bottom of rear wheel holder.