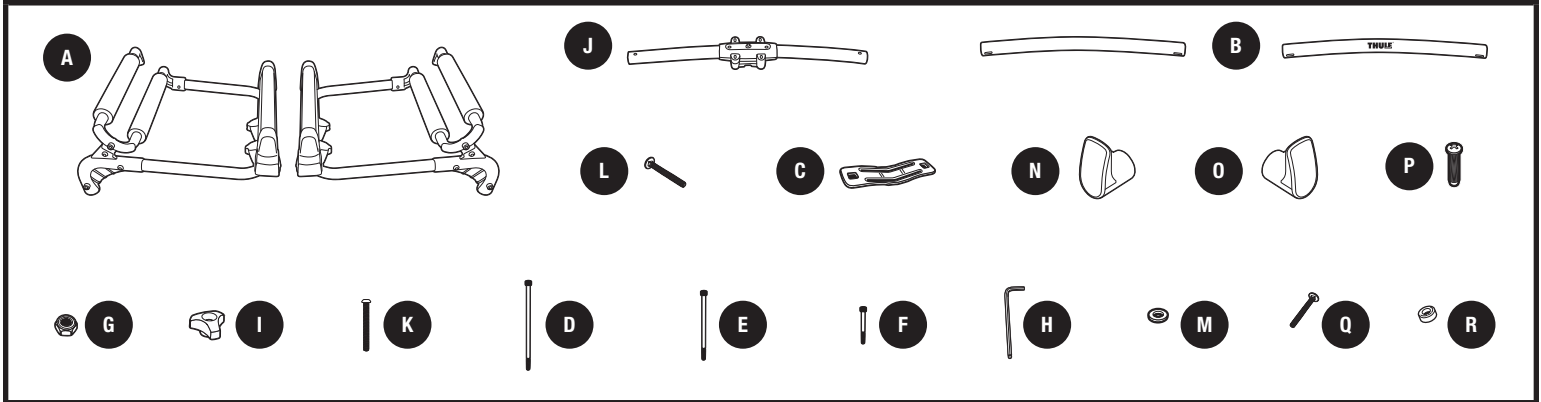
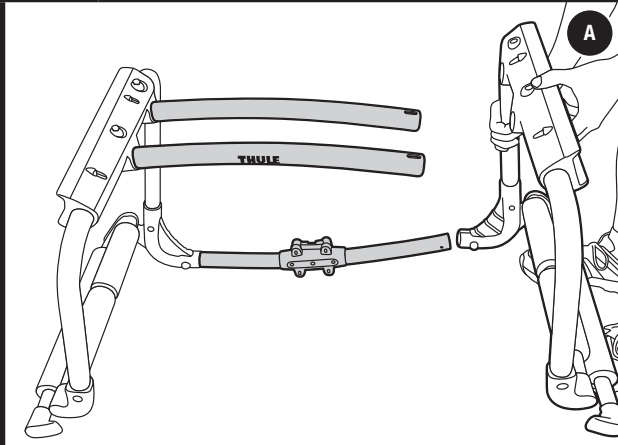


PARTS INCLUDED


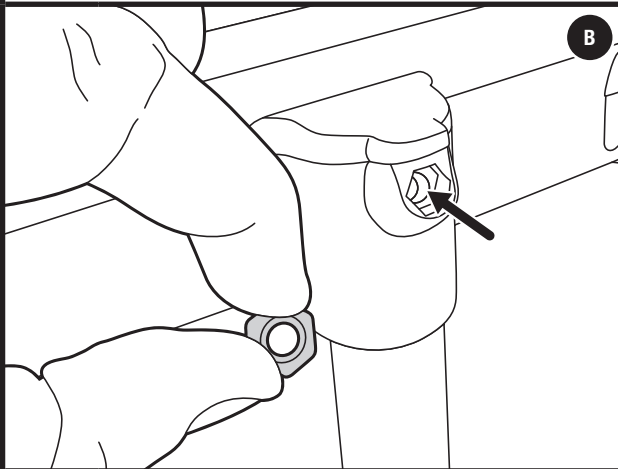
part	description	part number	qty.
A	rubber foam pads /	853301903	8
B	upper cross tubes /	8523205001	2
C	metal bracket /	8535513	1
D	M6 x 110 socket head cap screw /	919611054	2
E	M6 x 85 allen bolt /	919068559	4
F	M6 x 30 socket head cap screw /	919063054	2
G	M6 locking nut /	938060054	6
H	hex key M5 /	8530930	1
I	3-wing knobs /	7530783	4
J	bottom cross tube /	—	1
K	Spare Me plate bolt /	924088754	1
L	carriage bolt M6 x 65 /	915066554	2
M	washer /	951081654	1
N	end cap left /	8523201001	1
O	end cap right /	8523201002	1
P	sheet metal screw /	8535753	2
Q	carriage bolt M6 x 45 /	915064554	2
R	plastic spacer /	8531881	2

WARNINGS / LIMITATIONS

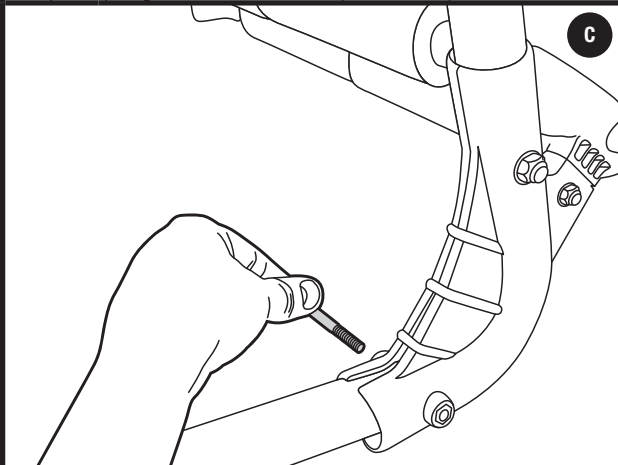
- Not intended for off-road use.
- Check cradle straps that came with hitch rack for wear and replace if worn.
- The maximum capacity for class 1 hitches is 4 pair of skis or 2 snowboards. The maximum capacity for class 2 hitches is 6 pair of skis or 4 snowboards.
- Fits most Thule hitch racks including Apex/Vertex™ and Spare Me™. Will not fit on Thule Helium hitch racks.



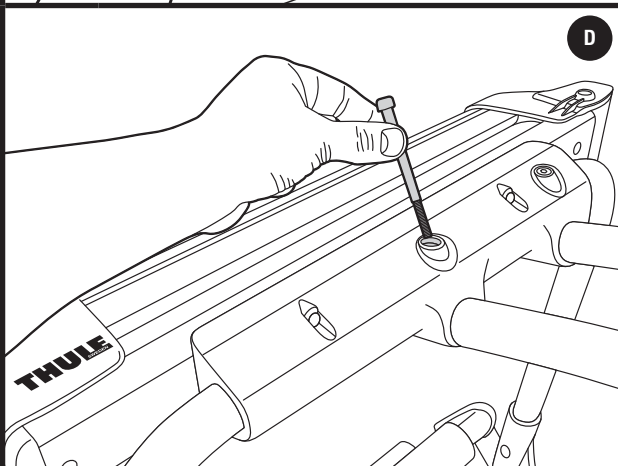
- Insert two upper cross tubes and one bottom cross tube into one side of hitch ski carrier. The tube with the Thule logo should be furthest from bottom cross tube and Thule logo should face outwards away from vehicle.



- Insert locking nuts into all three hexagon-shaped holes where the tubes are inserted into the plastic.



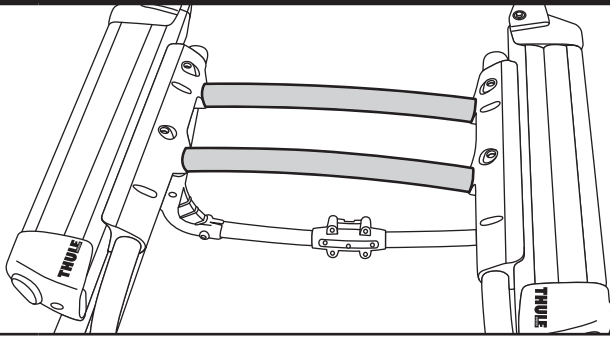
- To attach bottom cross tube, twist tubing so there is an open hole through plastic corner brackets and steel tubing. Insert M6x 30 socket head cap screw through hole into locking nut. Do not tighten completely yet.



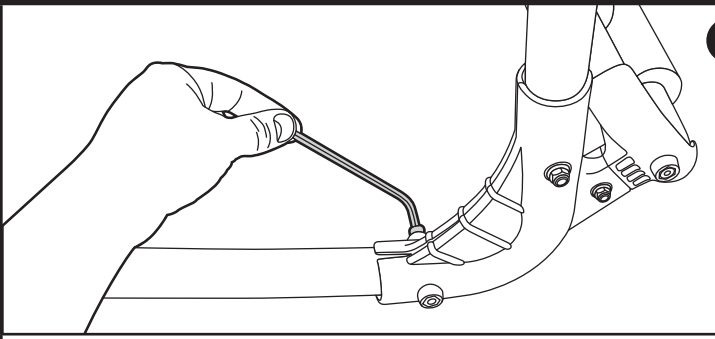
- To attach two upper cross tubes, twist tubing so there is an open hole through plastic brackets and steel tubing. Insert M6 x 85 allen bolts through hole into locking nut. Do not tighten completely yet.

2

ASSEMBLY



A



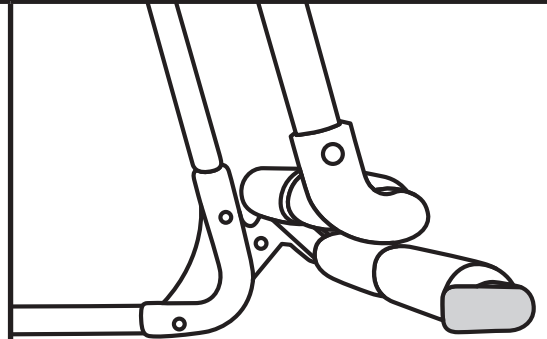
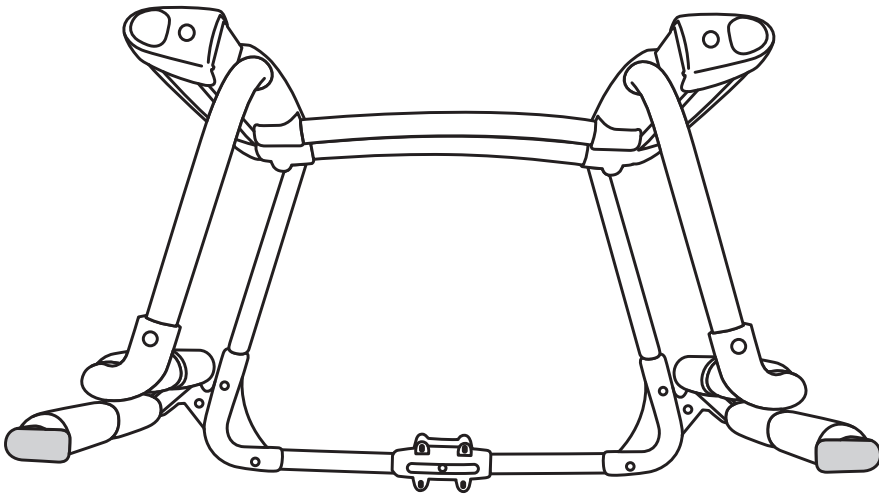
B

- Insert two upper cross tubes and bottom cross tube into other side of snowsport carrier. Repeat process for inserting hex nuts and bolts in STEP 1 for the other half of the snowsport carrier.

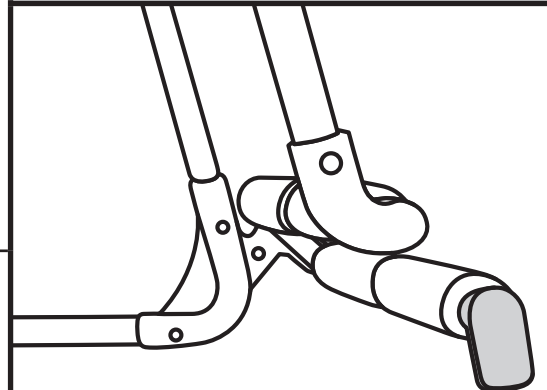
- Tighten all 6 bolts attaching cross tubes.

3

ATTACHING END CAPS

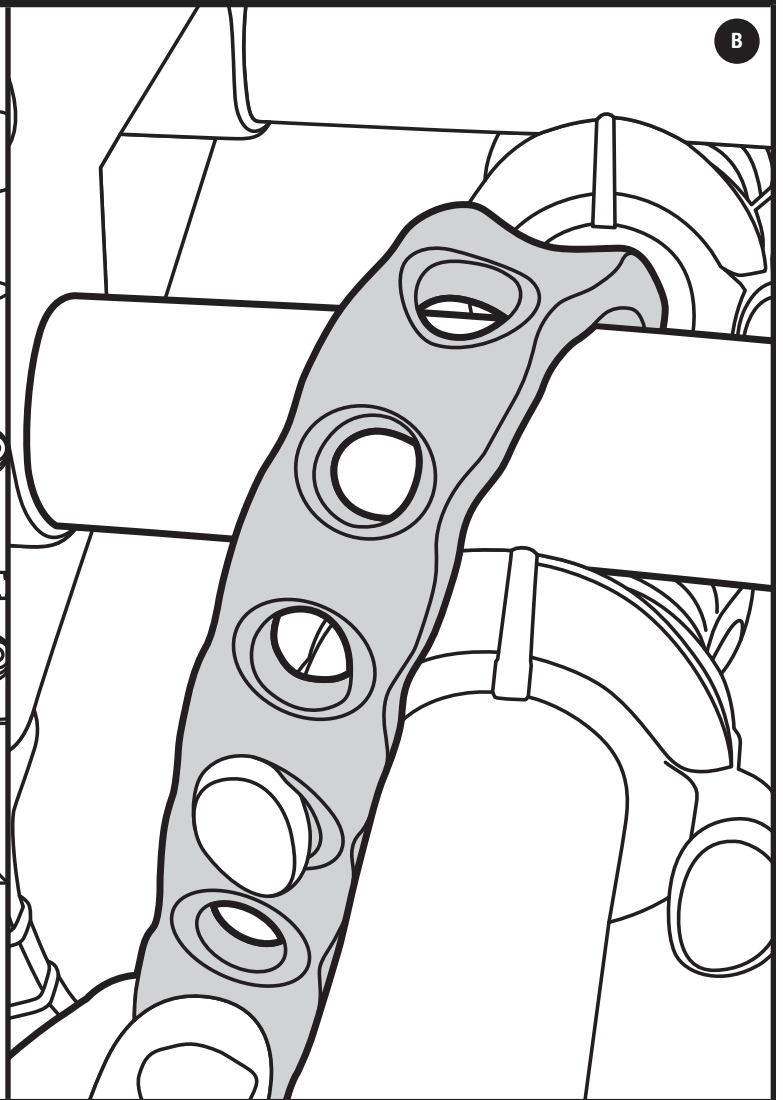
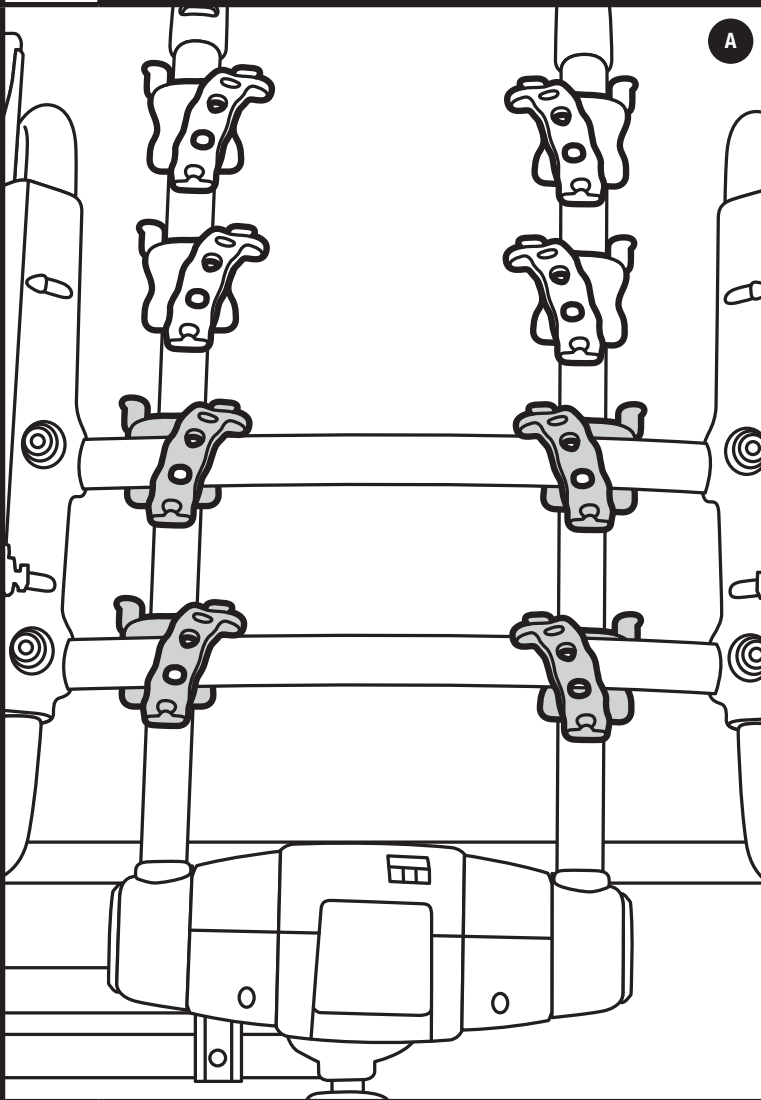


CORRECT



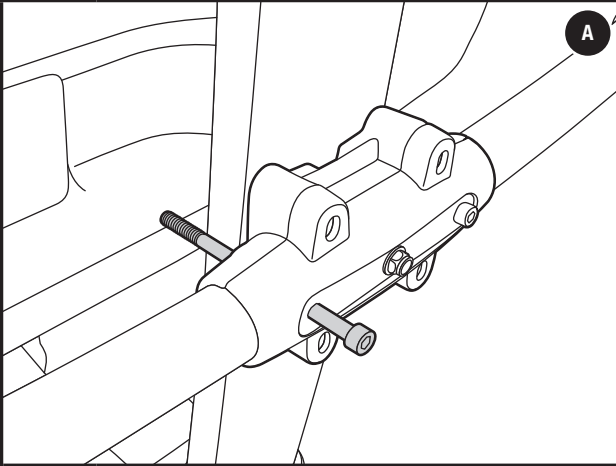
INCORRECT

- Attach end caps to end of U-tube with self-tapping screws. Be sure not to over tighten screws.

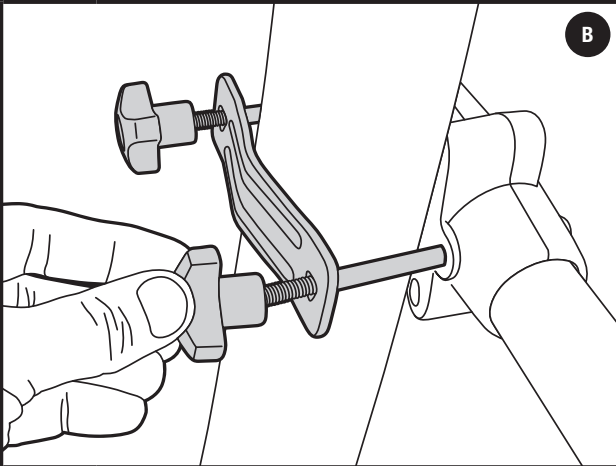


- Lift and place hitch snowsport carrier onto hitch or spare tire bike rack. Cross tubes should rest on two cradles closest to vehicle and tube with Thule logo should face away from vehicle. The bike cradles may need to be moved forward or backward to the cross tubes are aligned over the cradles. The back cross tube closest to the vehicle may not rest down completely in the bottom center of the cradles.

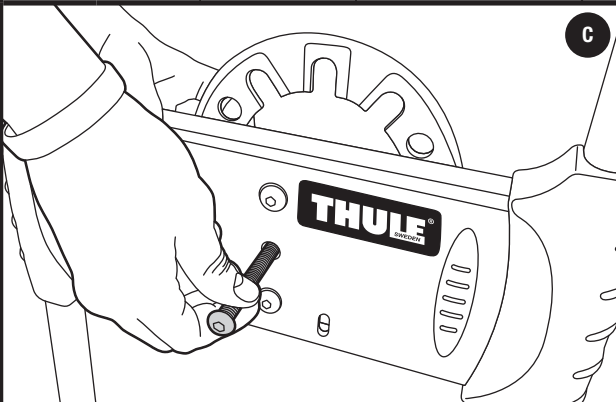
- Tighten all 4 cradle straps across cross tubes.



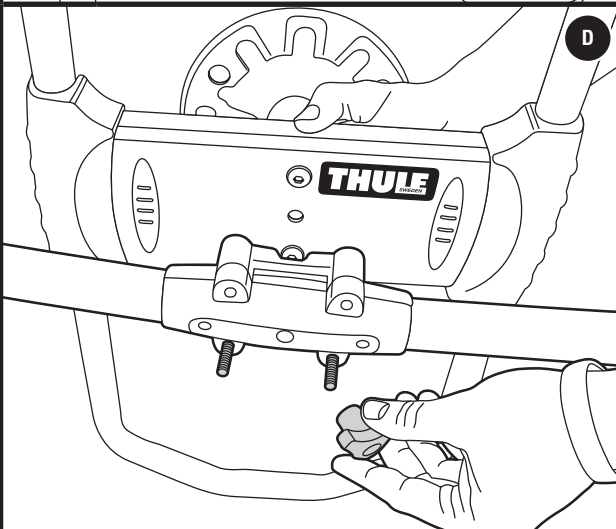
- When attaching snowsport carrier to bike hitch rack, insert M6 x 110 socket head cap screw through 2 wider-spaced holes in middle of plastic.



- Attach metal bracket and 3 wing knobs to other end of socket head cap screws so bracket is held firmly against bike carrier.



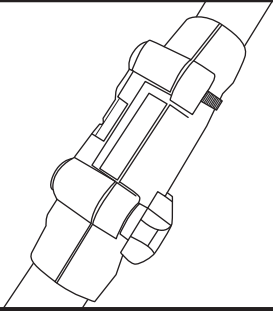
- When attaching Tram to 963PRO Spare Me bike carrier, remove knob and insert spare me plate bolt and washer into center of plate and into spare me mounting bracket. Tighten firmly.



- When attaching snowsport carrier to 963PRO, follow step 6a through 6f. When attaching snowsport carrier to 963XTR, 963XT or older version Spare Me, insert M6 x 65 socket head screws through top holes. Attach 3-wing knobs to other end of socket head cap screws and tighten firmly.

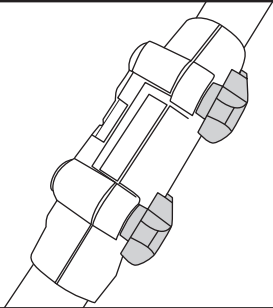
6

INSTALLATION



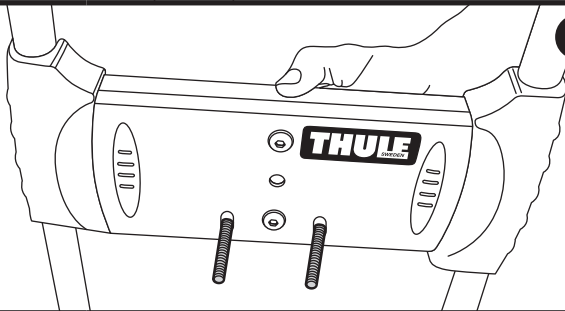
A

- Install 45 mm carriage bolts in upper holes of bracket.



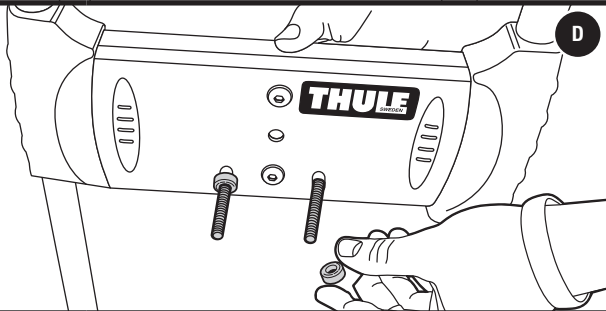
B

- Tighten 3 wing knobs to close bracket opening.



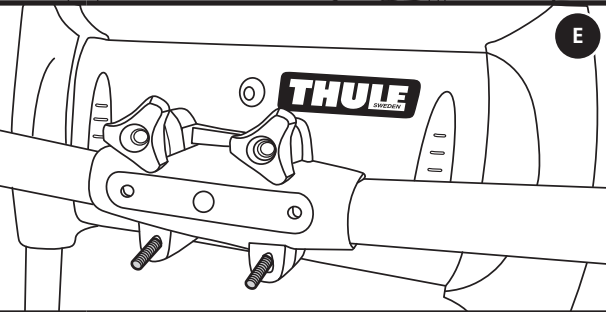
C

- Install 65 mm carriage bolts through the back of the plate on 963PRO spare tire bike carrier-lower holes.



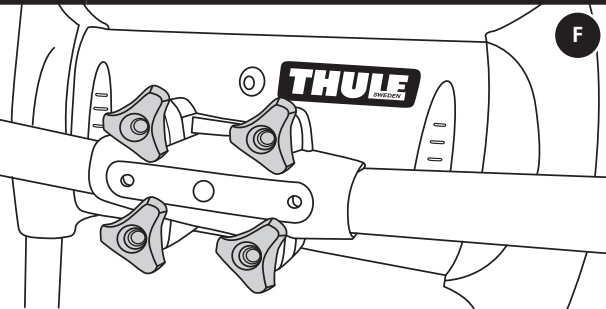
D

- Place plastic spacers on bolts.



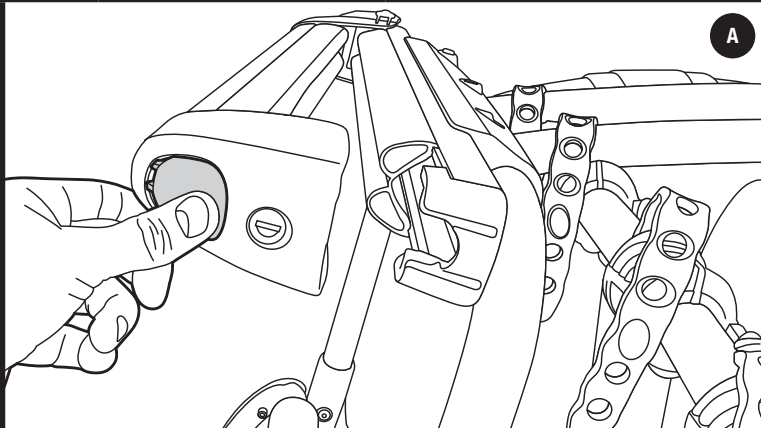
E

- Set 9033 Tram ski carrier on upper arms - allowing bolts to pass through the bottom holes of the bracket.

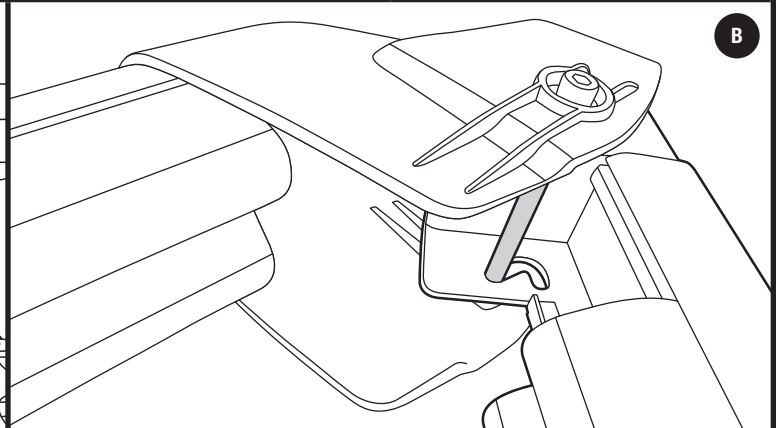


F

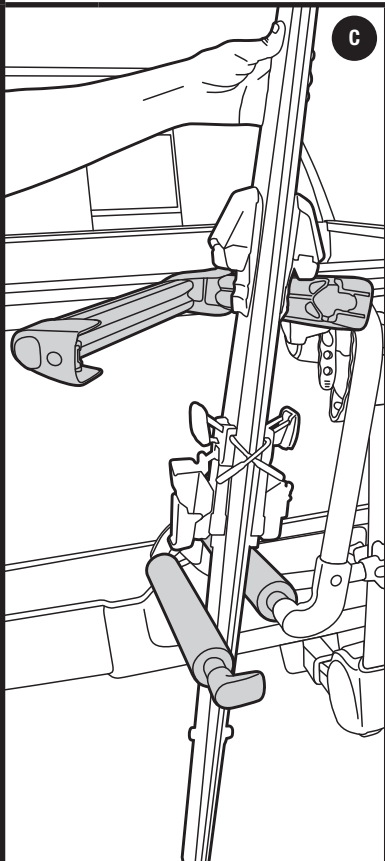
- Install 3 wing knobs and tighten.



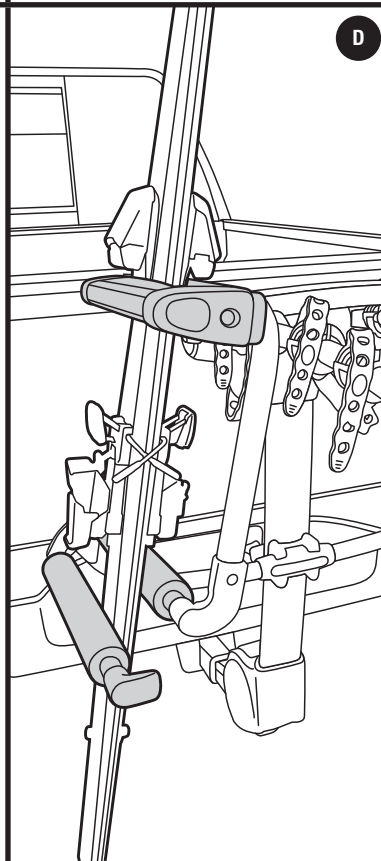
- To load skis and/or boards, push button and swing open top mounting arm.



- The back clip may have to be slid to the outside setting to accommodate thicker ski bindings.



- Slide bottom of skis or boards between foam pads on bottom and lean top part of skis or boards against top mounting arm. Bindings may rest on top of arm.



- Close top mounting arm until it "clicks". Insert key and lock top mounting arm.

NOTE: Thule cable lock (538XT) may be used to lock Tram to bike hitch rack. (Cable lock sold separately)