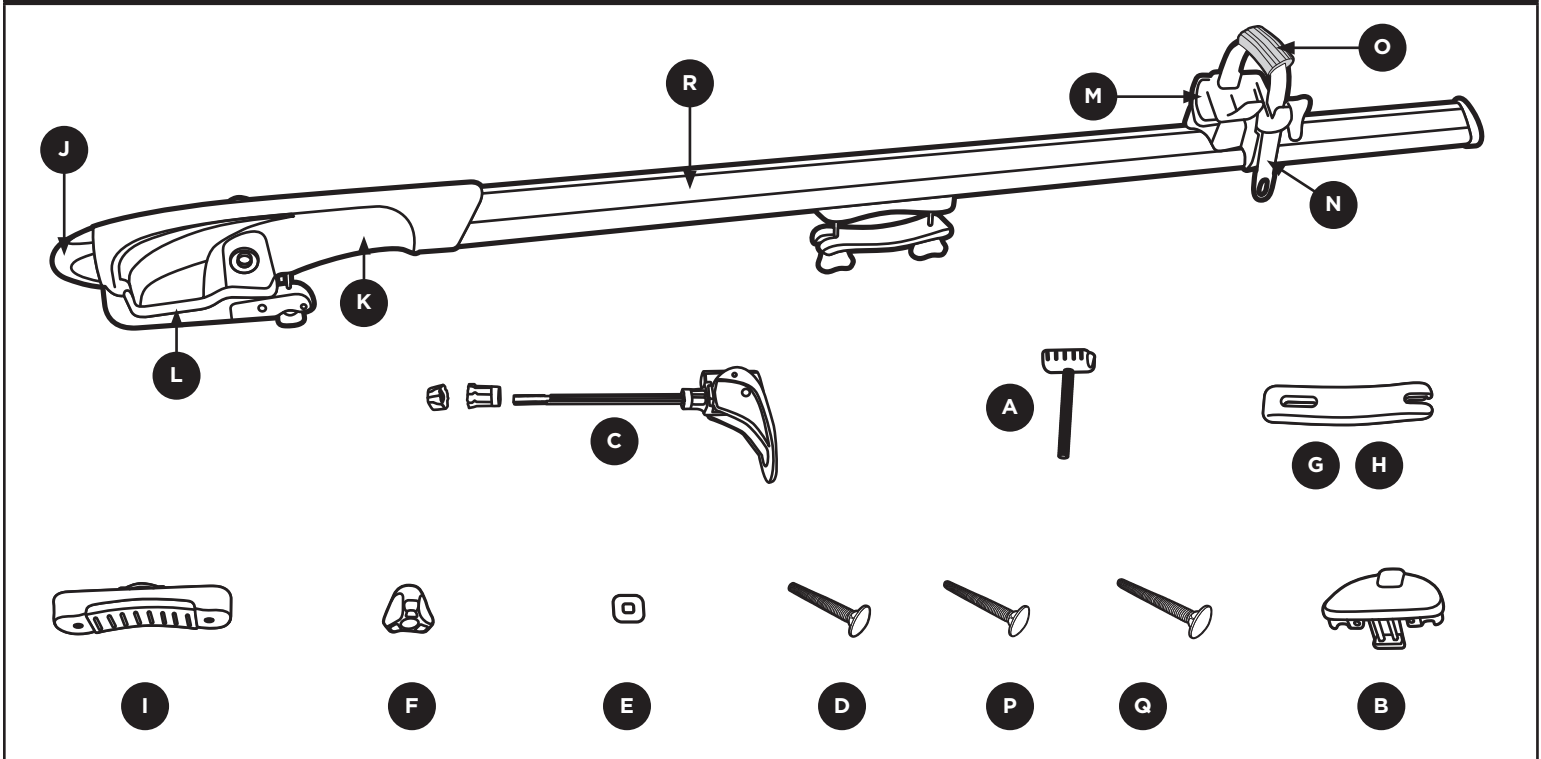


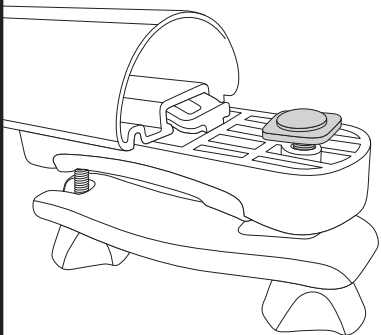
PARTS INCLUDED •



part	description	part number	qty.
A	front knob/bolt assembly	7521470001	1
B	extrusion end cap	8523306001	1
C	skewer assembly	7520943001	1
D	carriage bolt M6 x 65	915066554	2
E	bolt plate	8523278001	2
F	knob with M6 x 1.0 nut	8523476001	2
G	back clamp pad	8523346001	1
H	bottom back bracket	8523347001	1
I	rear clamp with pad	7521550001	1
J	front nose lever	7521449001	1
K	Circuit head assembly	7521544001	1
L	Circuit pad	8523272001	1
M	wheel chock assembly	7521453001	1
N	chock wheel strap	8523285001	1
O	rim protector	8524274001	1
P	M6 x 80mm carriage	8523490001	2
Q	M6 x 55mm carriage	8523489001	2
R	spine tube	8523315001	1

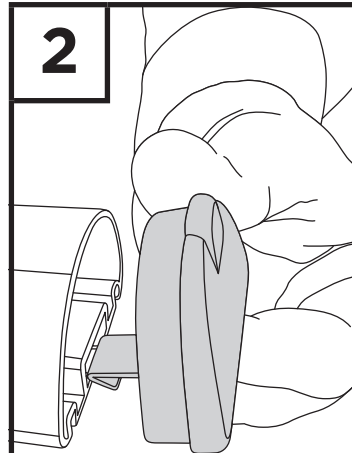
Rear mounting hardware is preconfigured for Thule square and Yakima load bars. If mounting to another type of bar refer to fit guide at the back of these instructions to determine correct length bolt.

1



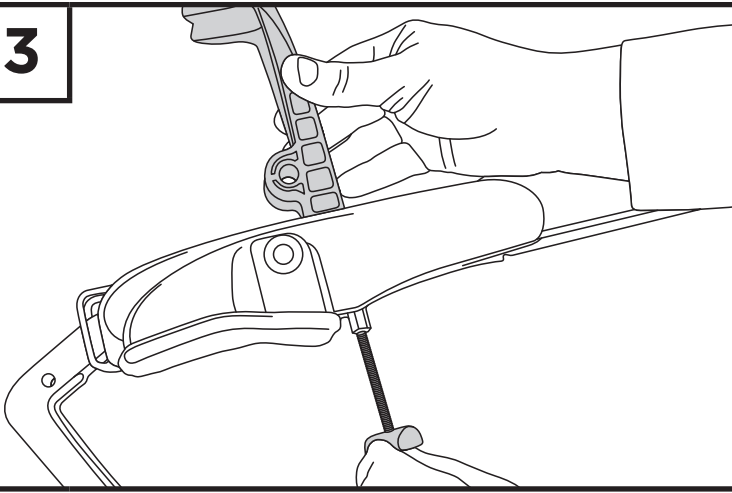
- Attach rear mounting assembly onto Spine Tube by inserting bolt plate / carriage bolt assembly and rear clamp friction tab into Spine Tube's slot.

2



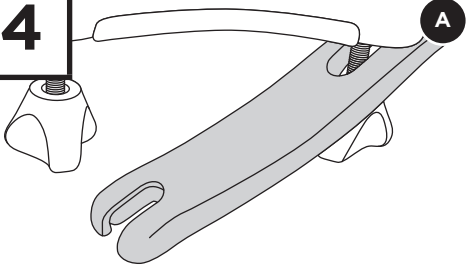
- Firmly push End Cap onto Spine Tube.

3



- Lift Front Nose assembly and thread Front Knob assembly onto post.

4

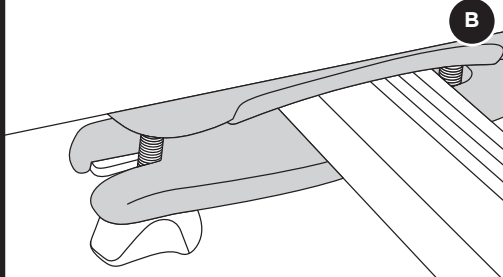


- Attach rear of carrier to load bar by loosely separating Bottom Back Bracket as illustrated.

NOTE:

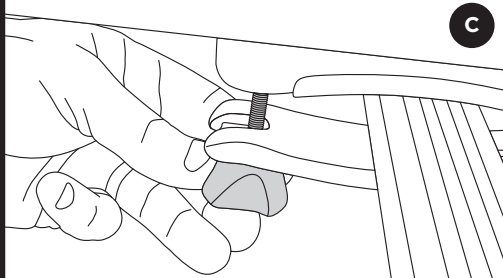
Knobs do not need to be fully removed.

B



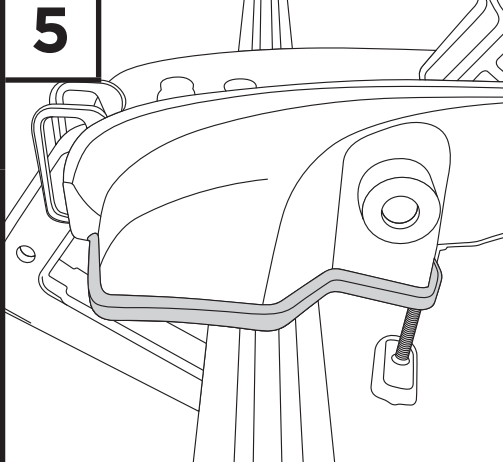
- Position Clamp Pad on top of bar and Bottom Back Bracket under bar.

C



- Tighten firmly and evenly.

5

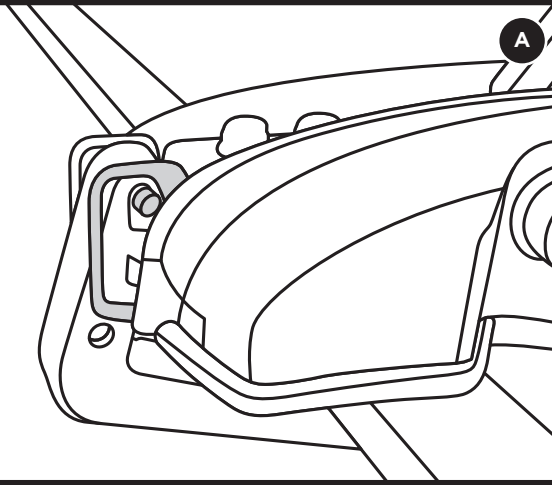


- Position Circuit Head on front load bar.

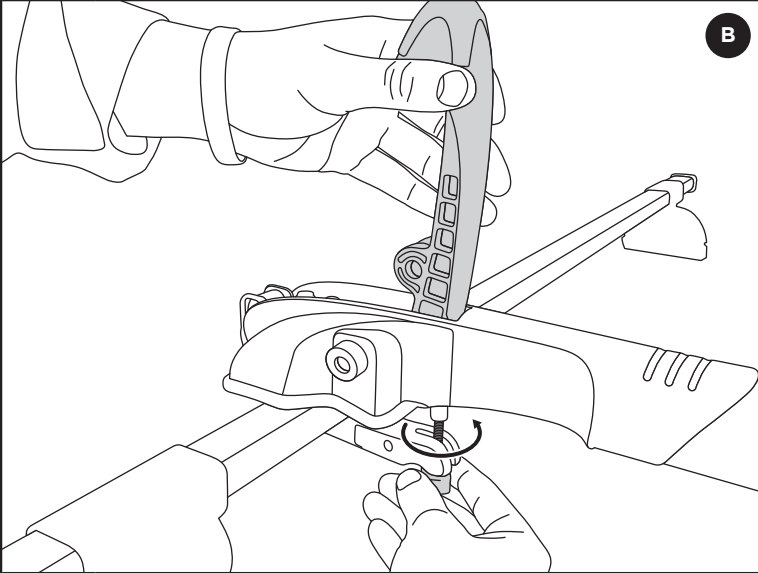
NOTE:

When mounting onto Thule's square bar be sure shoulder of head is centered on the load bar as illustrated.

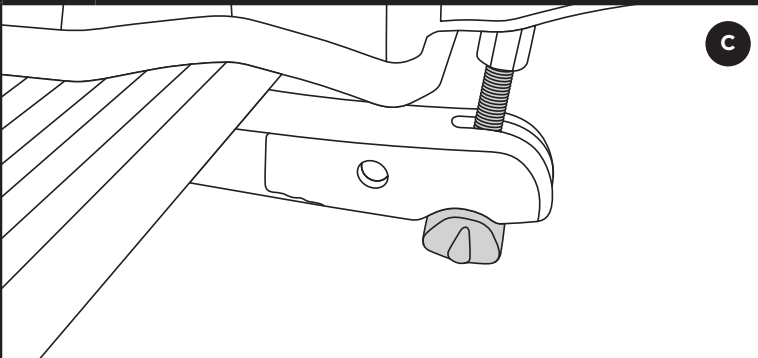
6



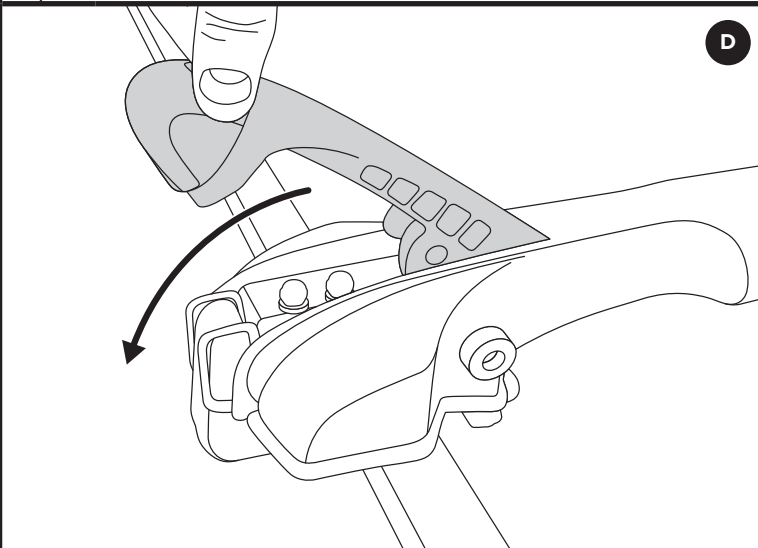
- For Thule square bars set the clamp in the highest slot as shown. For Thule Aeroblades set the clamp in the middle slot. To accommodate for larger diameter bars simply set the clamp in the middle or bottom slot.



- Holding the Front Nose Lever in the upright position, tighten the Front Knob/Bolt Assembly underneath the Clamp until it feels snug.

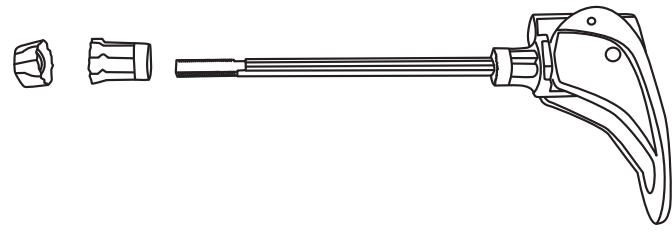


- Make sure knob is seated properly in the clamp's curved notch.



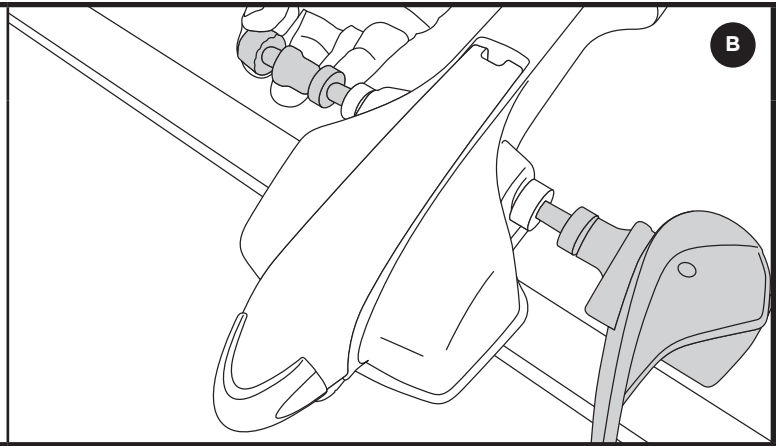
- Close Lever to fully tighten Circuit head to bar. There should be firm pressure when closing. If too loose or too tight adjust Front Knob/Bolt Assembly accordingly. Check for secure fit on bar by pushing / pulling head on load bar. If it feels loose, lift Lever and tighten Front Knob/Bolt assembly a couple of turns.

7



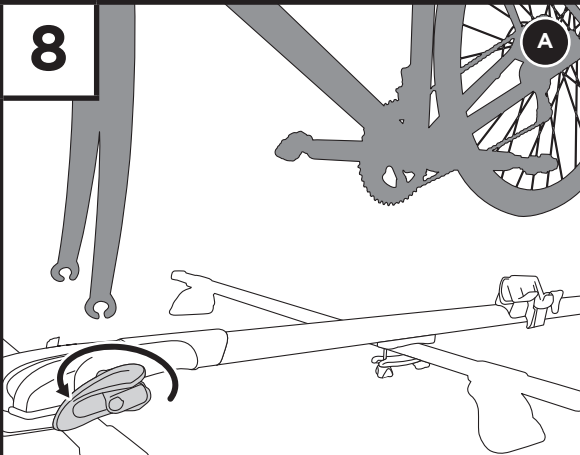
A

B



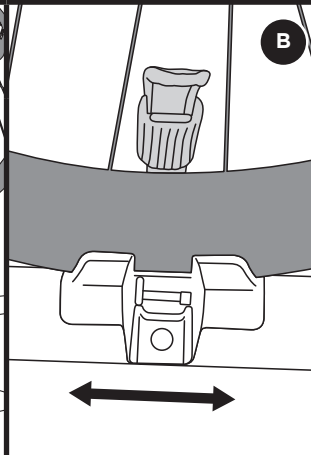
- Unscrew the ratcheting nut and nut body off end of Skewer as shown. Slide Skewer rod through channel in Circuit head. Lever should face the side of vehicle that bike is loaded from. Re-attach Skewer ratcheting nut and body. The Skewer rod and ratcheting nut have a rectangular slot that must be aligned.

8

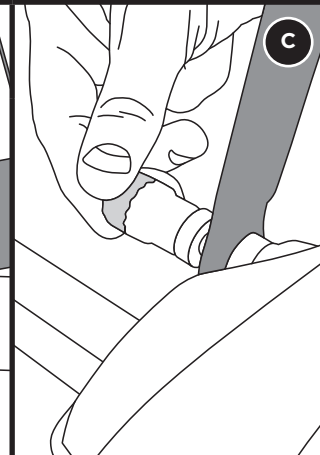


A

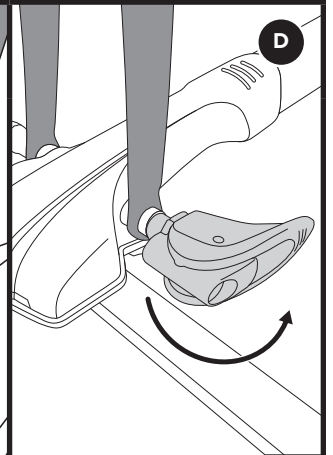
B



C



D



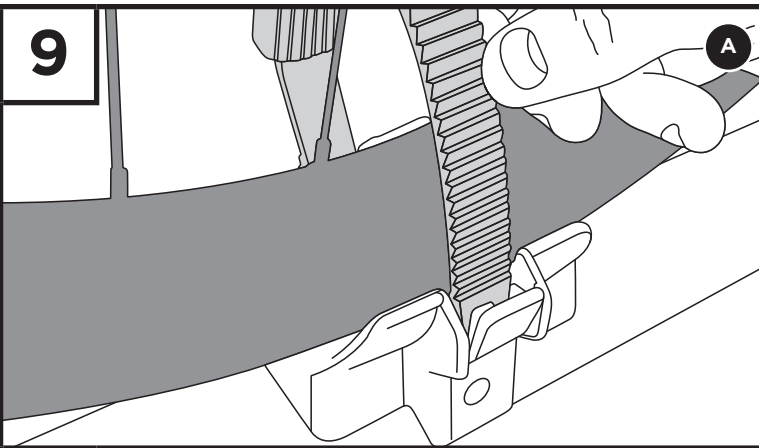
- Before loading bike, open Skewer lever and unscrew ratcheting nut to the end of the Skewer rod. Remove front wheel from bike and place bike fork drop-outs onto Skewer straight down on either side of fork mount head as shown. Fork should NOT be loaded at an angle.

- Position Wheel Check underneath wheel.

- With Skewer lever open, tighten ratcheting nut until lever closes with some resistance.

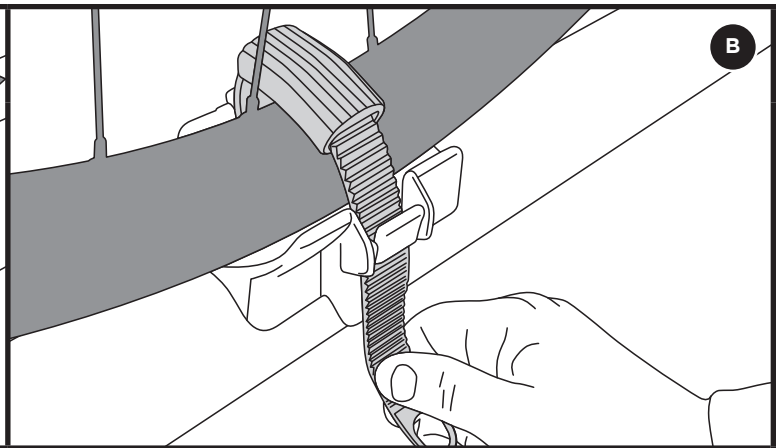
- Tug upwards on fork to test security. Do not over-tighten.

9



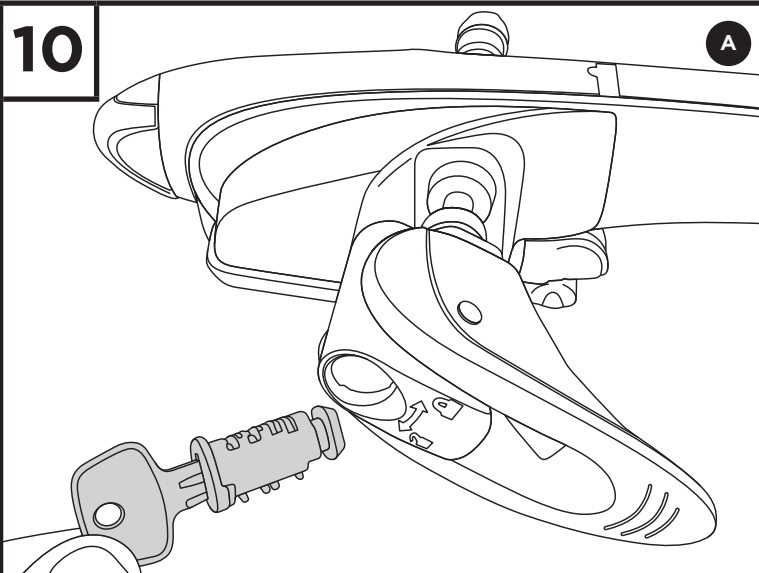
- Pull Wheel Strap over rim and position Rim Protector directly over rim.

B



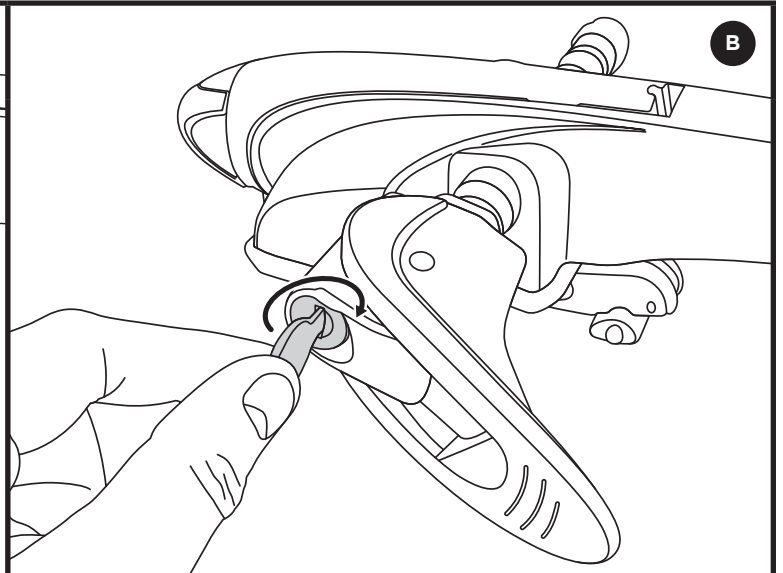
- Insert Strap through buckle and pull firmly.

10



- Lock cylinder (Sold Separately) will lock bike to carrier and carrier to vehicle. To install lock cylinders, remove circular black plastic plug from skewer. Insert change key into lock cylinder and insert lock cylinder into skewer. To lock, insert locking key and turn clockwise.

B





2014 ACCESSORY TO FACTORY RACK FIT GUIDE

Circuit™ 526, Paceline™ 527 and Sidearm™ 594XT

NOTE: If your vehicle is not listed below, it may be a no fit. Please refer to www.thule.com for the most up-to-date fit information.

LOAD BARS	RECOMMENDED BOLT SIZE (mm)		
	55	65	80

THULE

AEROBLADE (ARB) BARS			✓
RAPID AERO (RB) BARS		✓	
STEEL (LB) BARS	✓		
422 XSPORTER BARS			✓
500 XSPORTER PRO BARS			✓
PRO BARS			✓

INNO

LOAD BAR	✓		
----------	---	--	--

SPORTRACK

LOAD BAR	✓		
----------	---	--	--

YAKIMA

ROUND BAR	✓		
WHISPBAR		✓	

VEHICLE MAKE, MODEL, AND YEAR	RECOMMENDED BOLT SIZE (mm)		
	55	65	80

ACURA

MDX	'07-14	✓	
RDX	'07-14	✓	
TSX Sport Wagon	'11-14	✓	
ZDX	'10-13	✓	

AUDI

Allroad	'13-14	✓	
A4 (Avant) Wagon	'02-12	✓	
A6 Wagon	'06-11	✓	
Q5	'09-14		✓
Q7	'07-14		✓
S4 Wagon	'01-08	✓	

BMW

X6	'09-14		✓
----	--------	--	---

BUICK

Enclave	'08-14		✓
Encore	'13-14		✓
Ranier	'04-07	✓	
Rendezvous	'02-07		✓

CADILLAC

CTS Sport Wagon 5DR	'10-14	✓	
Escalade / Escalade ESV	'99-15	✓	
Escalade EXT Pickup	'02-15	✓	
SRX (Except "Sport Models")	'04-14	✓	

CHEVROLET

Astro Van (Cargo & Passenger)	'94-05	✓	
Avalanche	'02-13		✓
Blazer	'95-05	✓	
Captiva	'11-14		✓
Equinox	'05-14		✓

VEHICLE MAKE, MODEL, AND YEAR	RECOMMENDED BOLT SIZE (mm)		
	55	65	80

CHEVROLET (continued)

HHR	'06-11		✓
Spark 5DR	'13-14	✓	
Suburban / Suburban Z71	'92-15	✓	
Tahoe / Tahoe Z71	'95-15	✓	
Tracker	'02-04		✓
Trax	'13-14	✓	
Traverse	'09-14		✓
Venture	'97-04	✓	

CHRYSLER

Pacifica	'04-08	✓	
PT Cruiser	'01-10		✓
Town & Country	'96-14	✓	
Voyager / Grand Voyager	'01-03	✓	

DODGE

Caliber / SRT4 / SXT	'07-12	✓	
Caravan / Grand Caravan	'96-14	✓	
Durango / Durango Sport	'98-14	✓	
Journey	'08-14	✓	
Nitro	'07-11	✓	

FORD

Edge / Edge Sport	'07-14	✓	
Escape	'01-14	✓	
Escape (Glass Roof)	'13-14	✓	
Expedition / Expedition EL	'97-14		✓
Explorer	'91-14		✓
Explorer Sport	'01-03		✓
Explorer Sport Trac	'01-10		✓
Flex	'08-14	✓	
Freestar	'04-07	✓	
Taurus Wagon	'96-06	✓	
Windstar	'98-03	✓	

GMC

Acadia	'07-14		✓
Denali	'98-06		✓
Denali XL	'00-06		✓
Envoy	'98-01	✓	
Jimmy	'95-01	✓	
Safari Van (Cargo & Passenger)	'90-05	✓	
Suburban	'92-99	✓	
Terrain	'10-14	✓	
Terrain Denali	'12-14	✓	
Yukon / Yukon XL	'92-15	✓	
Yukon Denali / Yukon Denali XL	'07-15	✓	

HONDA

Crosstour	'10-14		✓
CR-V	'02-14		✓
Element / Element SC	'03-11	✓	
Odyssey	'01-14		✓
Passport	'98-02	✓	
Pilot	'03-14	✓	
Ridgeline / Ridgeline Sport	'06-14		✓



2014 ACCESSORY TO FACTORY RACK FIT GUIDE

Circuit™ 526, Paceline™ 527 and Sidearm™ 594XT

VEHICLE MAKE, MODEL, AND YEAR	RECOMMENDED BOLT SIZE (mm)		
	55	65	80

HUMMER

H3	'05-10		✓	
H3T	'09-10		✓	

HYUNDAI

Elantra GT 5DR	'13-14		✓	
Entourage	'07-10	✓		
Santa Fe	'01-14	✓		
Santa Fe Sport	'13-14	✓		
Tucson	'05-14			✓

INFINITI

EX 35	'08-12		✓	
EX 37	'13		✓	
FX 35	'03-13		✓	
FX 45	'03-08		✓	
FX 50	'09-13		✓	
QX4	'97-03		✓	
QX50	'14		✓	
QX56	'04-13		✓	
QX60	'14		✓	
QX70	'14		✓	
QX80	'14		✓	

ISUZU

Ascender	'03-10	✓		
Rodeo	'98-04	✓		

JEEP

Cherokee	'14	✓		
Commander (Standard Crossbars)	'06-10		✓	
Compass / Rallye	'07-14	✓		
Grand Cherokee	'93-14	✓		
Liberty	'02-12	✓		
Patriot	'07-14	✓		

KIA

Borrego	'09-12		✓	
Carens	'07-14	✓		
Rondo	'07-14	✓		
Sedona	'02-14	✓		
Sorento	'03-14		✓	
Soul	'10-14		✓	
Sportage	'11-14	✓		

LAND ROVER

Evoque SDR	'12-14			✓
LR2	'07-14		✓	
LR3	'05-09			✓
LR4	'10-14			✓
Range Rover / Range Rover Sport	'98-14			✓

LEXUS

GX	'03-14	✓		
LX	'99-14		✓	
RX	'04-14	✓		

VEHICLE MAKE, MODEL, AND YEAR	RECOMMENDED BOLT SIZE (mm)		
	55	65	80

LINCOLN

Aviator	'03-05		✓	
MKX	'07-14		✓	
Navigator	'98-14		✓	

MAZDA

CX-5	'12-14		✓	
CX-9	'07-14		✓	
MPV	'00-06		✓	
Protégé 5 Wagon	'02-03		✓	
Tribute	'01-11		✓	

MERCURY

Mariner	'05-10	✓		
Monterey	'04-07		✓	
Mountaineer	'96-10		✓	
Sable Wagon	'96-05		✓	
Villager	'93-02	✓		

MINI

Clubman	'08-14		✓	
---------	--------	--	---	--

MITSUBISHI

Endeavor	'04-11		✓	
Montero Sport	'97-00		✓	

NISSAN

Armada	'04-14			✓
Frontier 4DR Crew Cab	'00-14		✓	
Murano	'03-14		✓	
Pathfinder	'96-14		✓	
Quest	'99-14		✓	
Rogue	'08-13		✓	
Xterra	'00-14			✓

OLDSMOBILE

Bravada	'91-04	✓		
Silhouette	'97-04	✓		

PONTIAC

Aztek	'01-05	✓		
Montana	'99-05		✓	
Torrent	'06-09	✓		
Trans Sport	'97-98	✓		
Vibe	'03-10	✓		

PORSCHE

Cayman	'06-13		✓	
--------	--------	--	---	--

SATURN

Outlook	'07-10		✓	
Vue	'02-05		✓	



2014 ACCESSORY TO FACTORY RACK FIT GUIDE

Circuit™ 526, Paceline™ 527 and Sidearm™ 594XT

VEHICLE MAKE, MODEL, AND YEAR	RECOMMENDED BOLT SIZE (mm)		
	55	65	80

SUBARU

Baja 4DR	'03-07	✓		
Forester	'98-14		✓	
Impreza 5DR	'12-14		✓	
Impreza WRX / WRX STI 4DR	'02-14		✓	
Impreza WRX / WRX STI 5DR	'02-14		✓	
Legacy Wagon	'95-99		✓	
Outback Sport	'02-11	✓		
Outback Sport / WRX / STI Wagon	'02-11		✓	
Outback Wagon	'00-14		✓	
Tribeca	'06-14		✓	
XV Crosstrek	'12-14		✓	

SUZUKI

Grand Vitara	'06-13	✓		
XL-7	'07-09	✓		

TOYOTA

4Runner	'90-14	✓		
FJ Cruiser	'07-14		✓	
Highlander	'01-14		✓	
Land Cruiser	'98-14		✓	
Matrix	'03-14	✓		
RAV4	'01-12		✓	
Sequoia	'01-14		✓	
Sienna	'98-14	✓		
Tacoma 4DR Quad Cab	'05-14	✓		
Venza	'09-14	✓		

VOLKSWAGEN

Golf Wagon (Canada)	'10-14	✓		
Jetta SportWagen	'09-14	✓		
Routan	'09-14	✓		
Tiguan	'08-14		✓	
Touareg	'04-14			✓

VOLVO

V50	'05-11		✓	
V70	'98-10		✓	
V70 XC	'98-10		✓	
XC60	'09-14		✓	
XC70	'01-14		✓	
XC90	'03-14		✓	