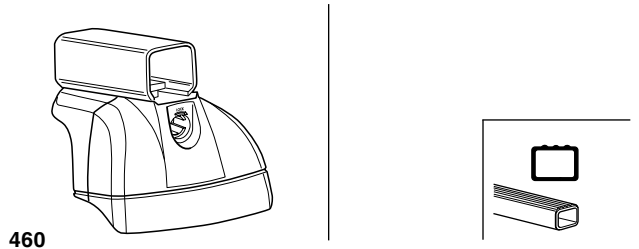
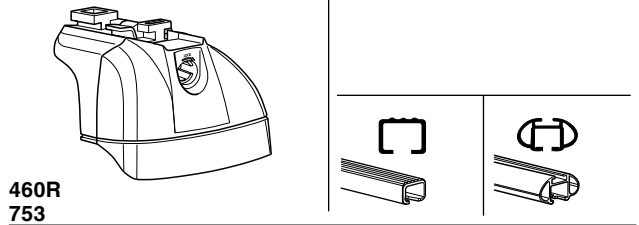



Kit 3069


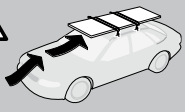
- FORD Mondeo (Mk.II.), 4-dr Sedan, 01-07
- FORD Mondeo (Mk.II.), 5-dr Hatchback, 01-07
- MAZDA Atenza (Mk.I.), 4-dr Sedan, 02-07
- MAZDA Atenza (Mk.I.), 5-dr Hatchback, 02-07
- MAZDA Atenza (Mk.II.), 4-dr Sedan, 08-
- MAZDA Atenza (Mk.II.), 5-dr Hatchback, 08-
- MAZDA Axela, 4-dr Sedan, 04-08
- MAZDA Axela, 5-dr Hatchback, 04-08, 09-
- MAZDA CX-7, 5-dr SUV, 07-
- MAZDA CX-9, 5-dr SUV, 07-
- MAZDA Demio, 5-dr Hatchback, 07-
- MAZDA 2, 5-dr Hatchback 07-
- MAZDA 3, 4-dr Sedan, 04-08 / *04-09, 10-
- MAZDA 3, 5-dr Hatchback, 04-08, 09- / *04-09, 10-
- MAZDA 6 (Mk.I.), 4-dr Sedan, 02-07 / *03-08
- MAZDA 6 (Mk.I.), 5-dr Hatchback, 02-07 / *02-04, 05-07
- MAZDA 6 (Mk.II.), 4-dr Sedan, 08-
- MAZDA 6 (Mk.II.), 5-dr Hatchback, 08-

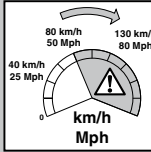
This Kit is only for vehicles with fixpoint mounting.



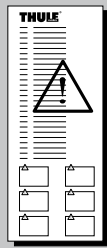
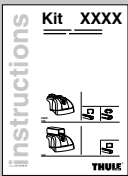


 $xx \text{ kg} + 5 \text{ kg} =$
 $xx \text{ lbs} + 11 \text{ lbs} =$

Max. 75kg
Max. 165 lbs





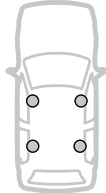



80 km/h 130 km/h
 50 Mph 80 Mph
 40 km/h 25 Mph
km/h Mph






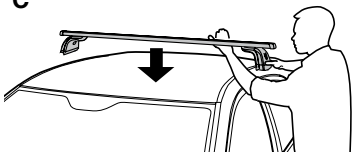
THULE Kit **XXXX**
instructions

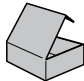


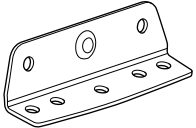


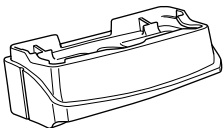
A 

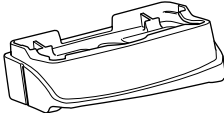
B 


C 



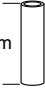
 **04 x 4**


 **03 x 2**


 **04 x 2**


 **x 1**

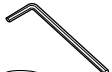
50962

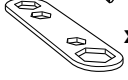
 **x 4**
 27 mm

 **x 4**

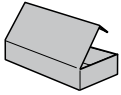
 **x 4**

 **x 4**

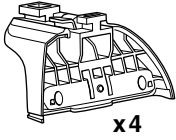
 **x 1**
 3 mm

 **x 1**

Kit



753



x4



x4



x4



x8



x1

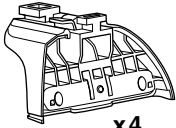


x4



x1

460R



x4



x4



x4



x8

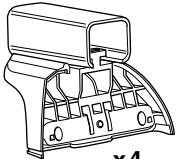


x1



x4

460



x4



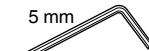
x4



x4



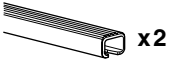
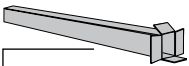
x8



x1



x4

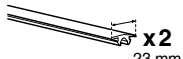


x2



x2

17 mm



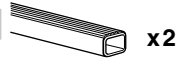
x2

23 mm

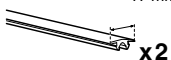


x2

23 mm

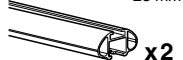


x2

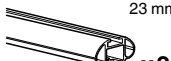


x2

23 mm



x2



x2



x4

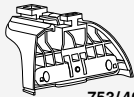


x4

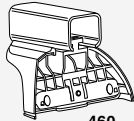


x4

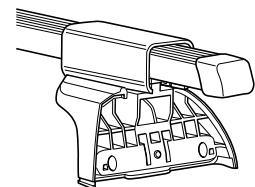
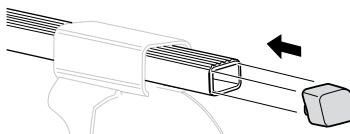
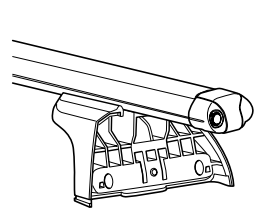
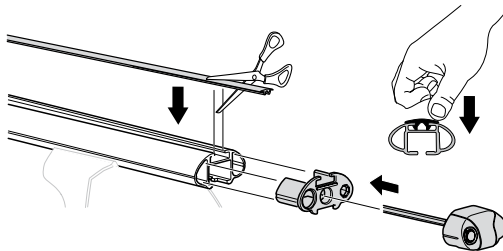
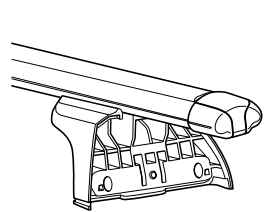
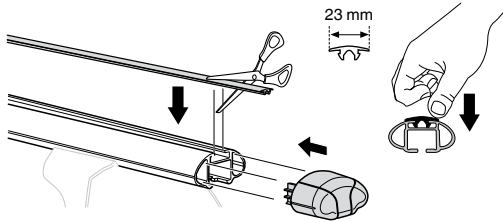
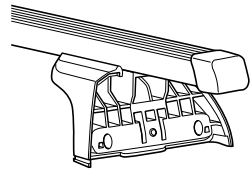
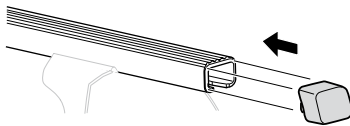
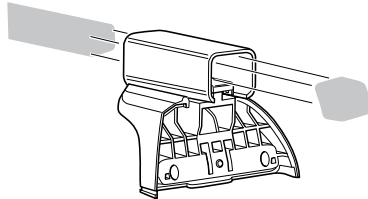
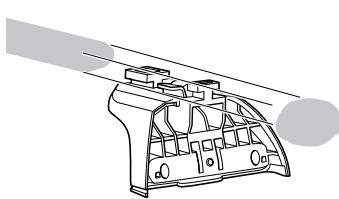
1

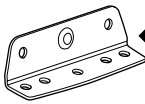


753/460R

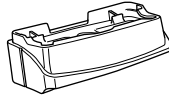


460


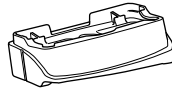


2

◀ 04 x 4



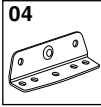
◀ 03 x 2

16 mm  x 8

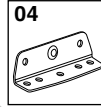
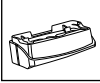
◀ 04 x 2



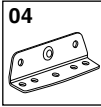
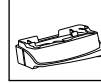
x 1



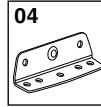
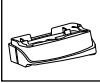
03



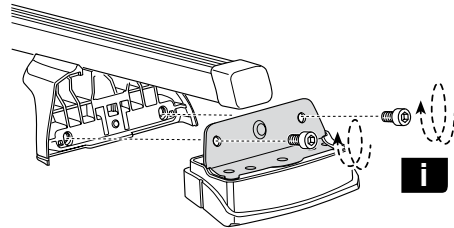
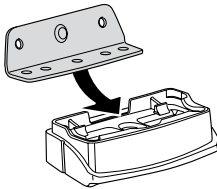
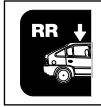
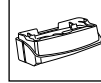
04



04



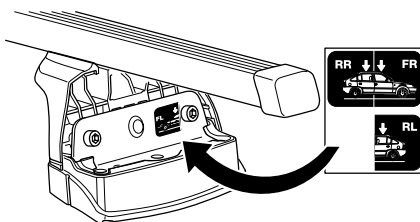
03

**i**

GB Only a few turns
D Nur wenige Umdrehungen
F Quelques tours uniquement
NL Slechts enkele slagen
I Solo qualche giro
E Sólo algunas vueltas
PT Noções básicas
S Endast några varv
FIN Vain muutama kierros

EST Ainult mõni pööre
LAT Tikai dažī apgriezieni
LIT Tik keli pasukimai
PL Wystarczy kilka obrotów
RU Достаточно нескольких оборотов
CZ Pouze několik otáček
SK Len niekoľko otáčok
SLO Le nekaj obratov

HR Samo nekoliko okreta
HU Csak néhány fordítás
GR Μόνο μερικές στροφές
TR Yalnız birkaç kez çevirm
中文 只有几个转向
한국어 두 세번만
日本語 数回転のみ
ไทย หมุนเพียงไม่กี่รอบ



3



x 4



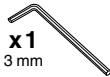
x 4



x 4

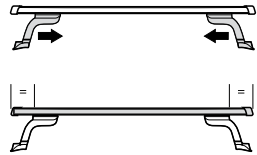


x 4



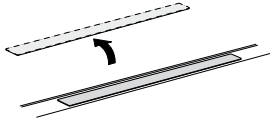
x 1

3 mm

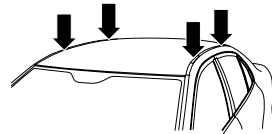
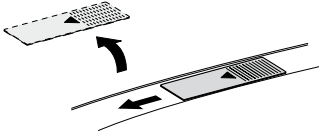


A

FORD

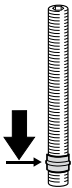


MAZDA

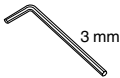


B

FORD



2 Nm

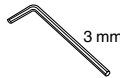


3 mm

MAZDA



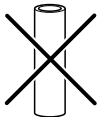
2 Nm



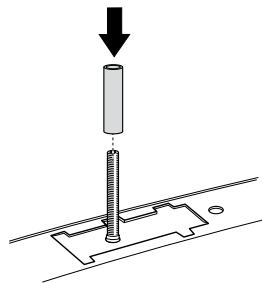
3 mm

C

FORD

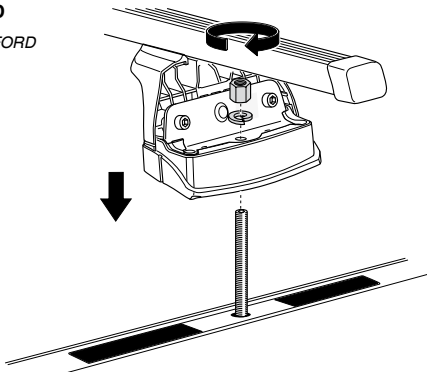


MAZDA

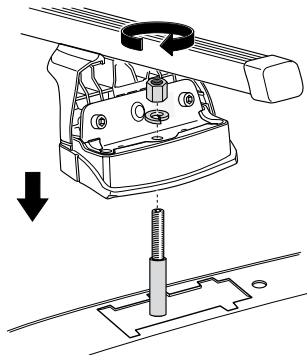


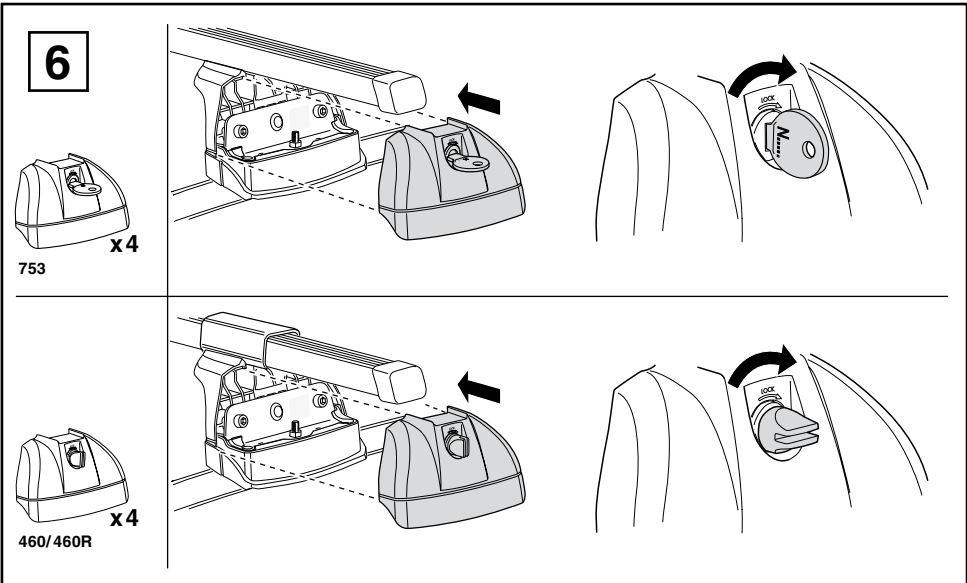
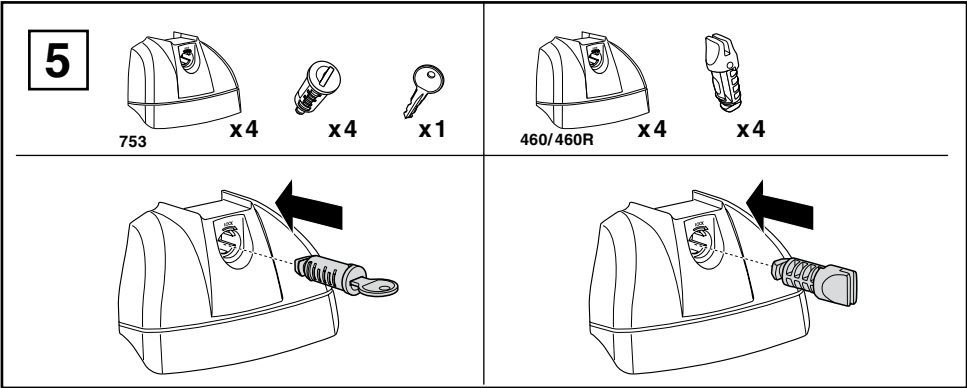
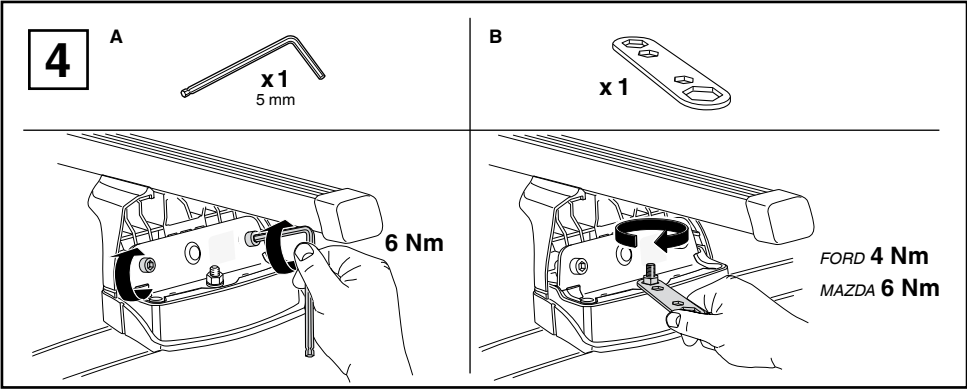
D

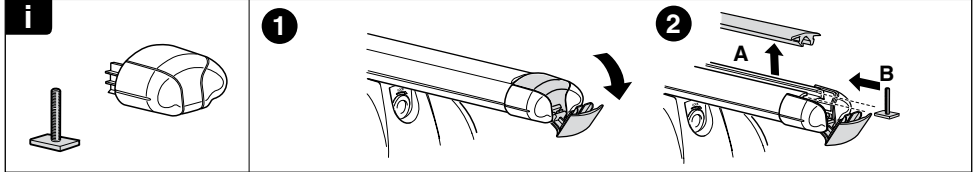
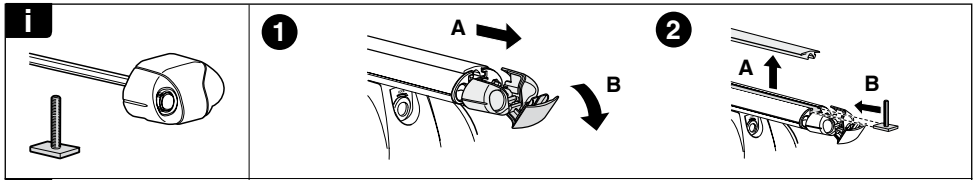
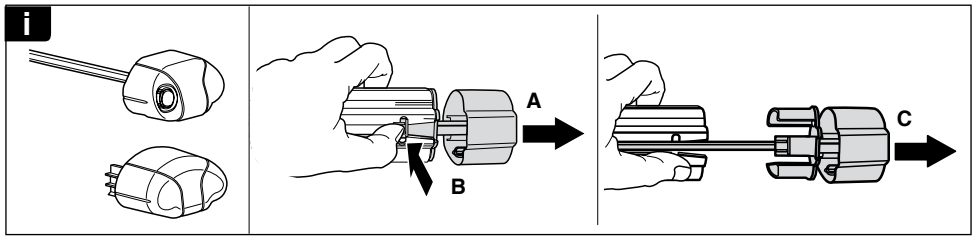
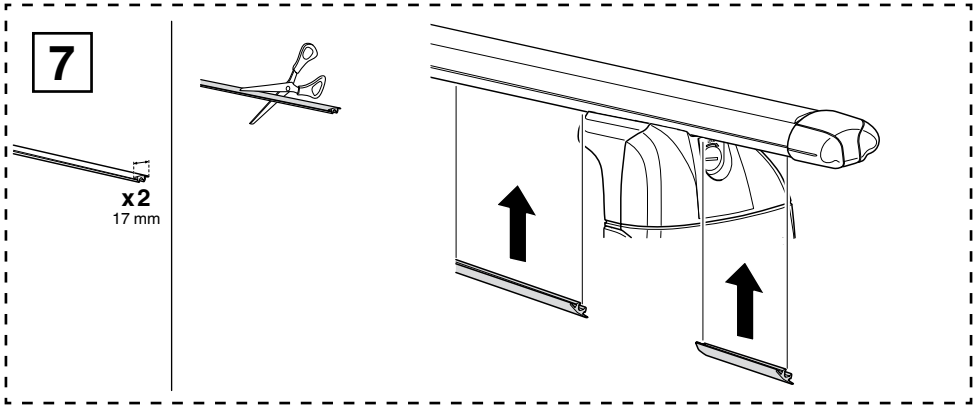
FORD



MAZDA

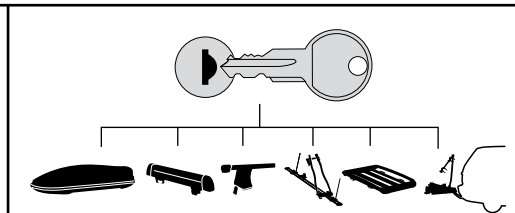






THULE
SWEDEN

**ONE
KEY
SYSTEM**



- 544** (x4)
- 596** (x6)
- 588** (x8)
- NA 510** (x10)
- EUR 452** (x12)