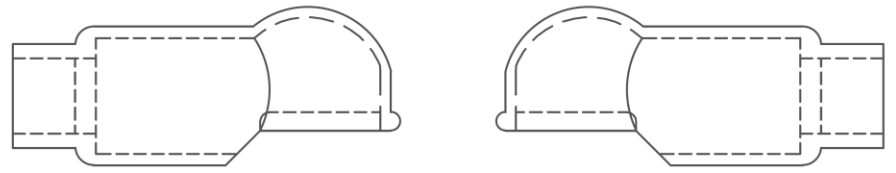
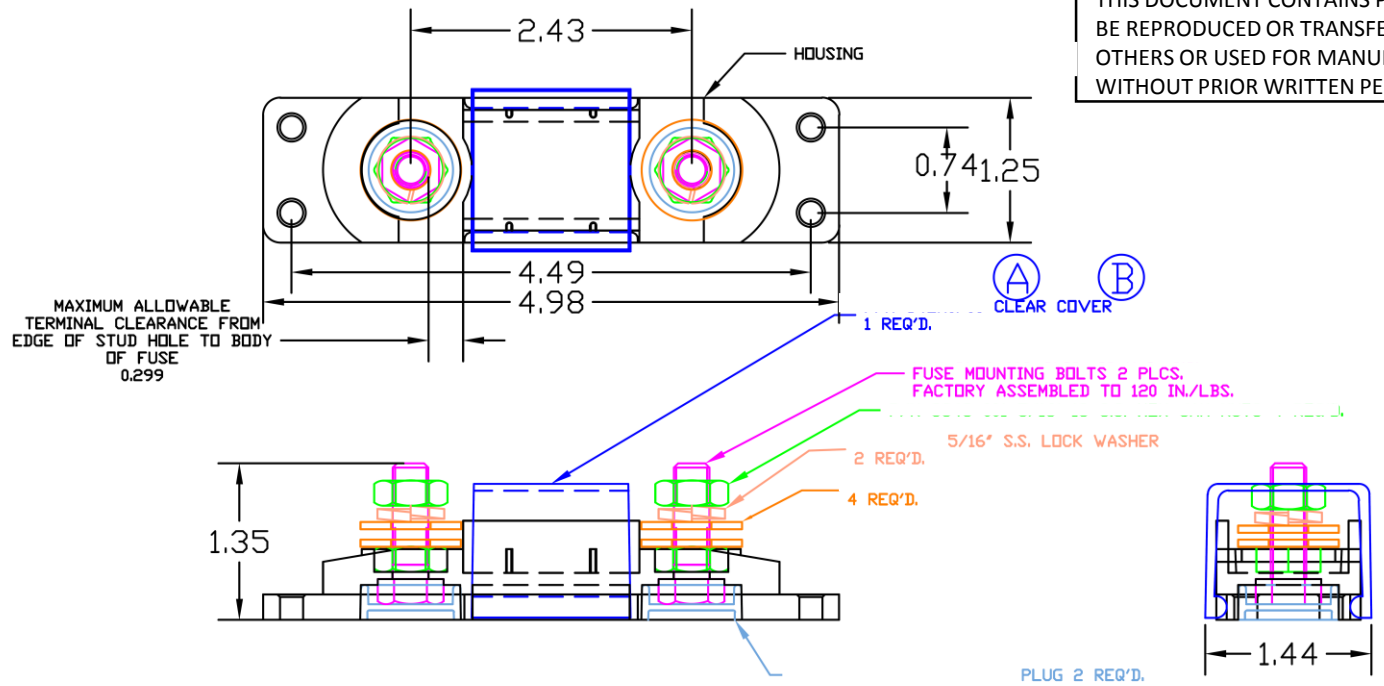



**NOTICE OF PROPRIETARY RIGHTS**  
 THIS DOCUMENT CONTAINS PROPRIETARY INFORMATION. IT MAY NOT BE REPRODUCED OR TRANSFERRED TO DOCUMENTS OR DISCLOSED TO OTHERS OR USED FOR MANUFACTURING OR ANY OTHER PURPOSE WITHOUT PRIOR WRITTEN PERMISSION



DO NOT SCALE

FUSE NOT INCLUDED  
 ASSEMBLY INCLUDES:  
 INSULATORS  
 MAXIMUM RECOMMENDED AMPERAGE: 300 AMPS @ 12 VDC

BASE MATERIAL: GLASS-REINFORCED NYLON  
 BASE MATERIAL U.L. RATING: 94 HB  
 BASE COLOR: RED

DATE: 5-11-2015	PREPARED BY: <i>Jose Illidge</i>	UNIT OF MEASUREMENT Inch	 MODEL # THANLFB 80-300