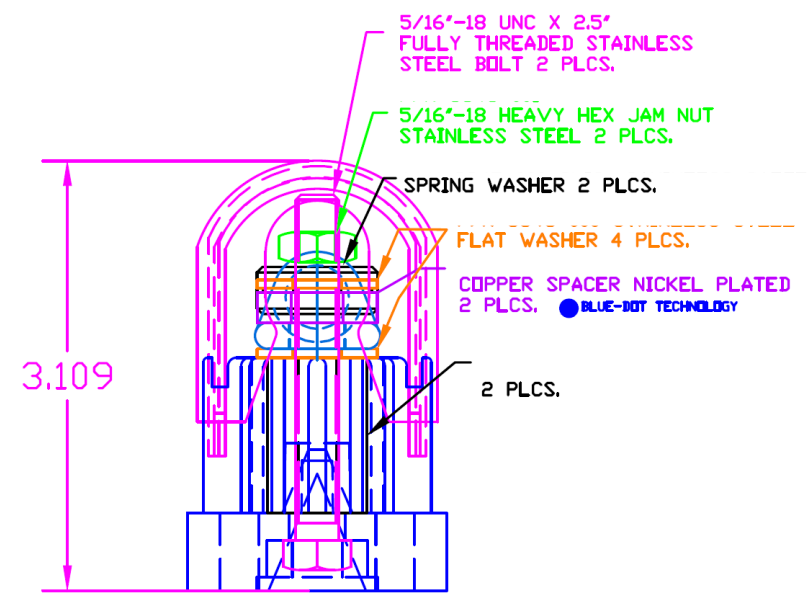
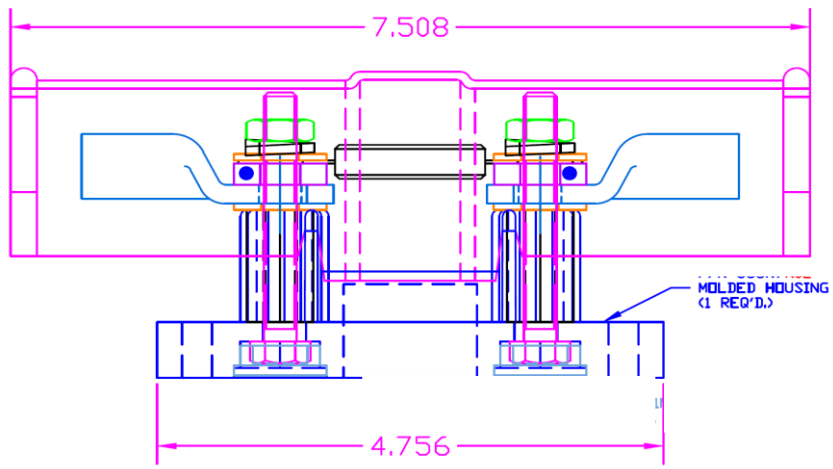
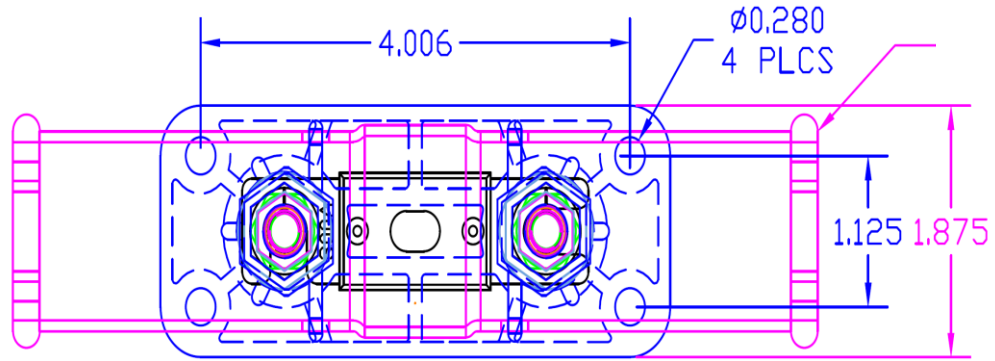


**NOTICE OF PROPRIETARY RIGHTS**  
 THIS DOCUMENT CONTAINS PROPRIETARY INFORMATION. IT MAY NOT BE REPRODUCED OR TRANSFERRED TO DOCUMENTS OR DISCLOSED TO OTHERS OR USED FOR MANUFACTURING OR ANY OTHER PURPOSE WITHOUT PRIOR WRITTEN PERMISSION



DATE: 5-11-2015	PREPARED BY: <i>Jose Illidge</i>	UNIT OF MEASUREMENT Inch	<b>THOR</b> MANUFACTURING
			MODEL # THANLFB 400-500