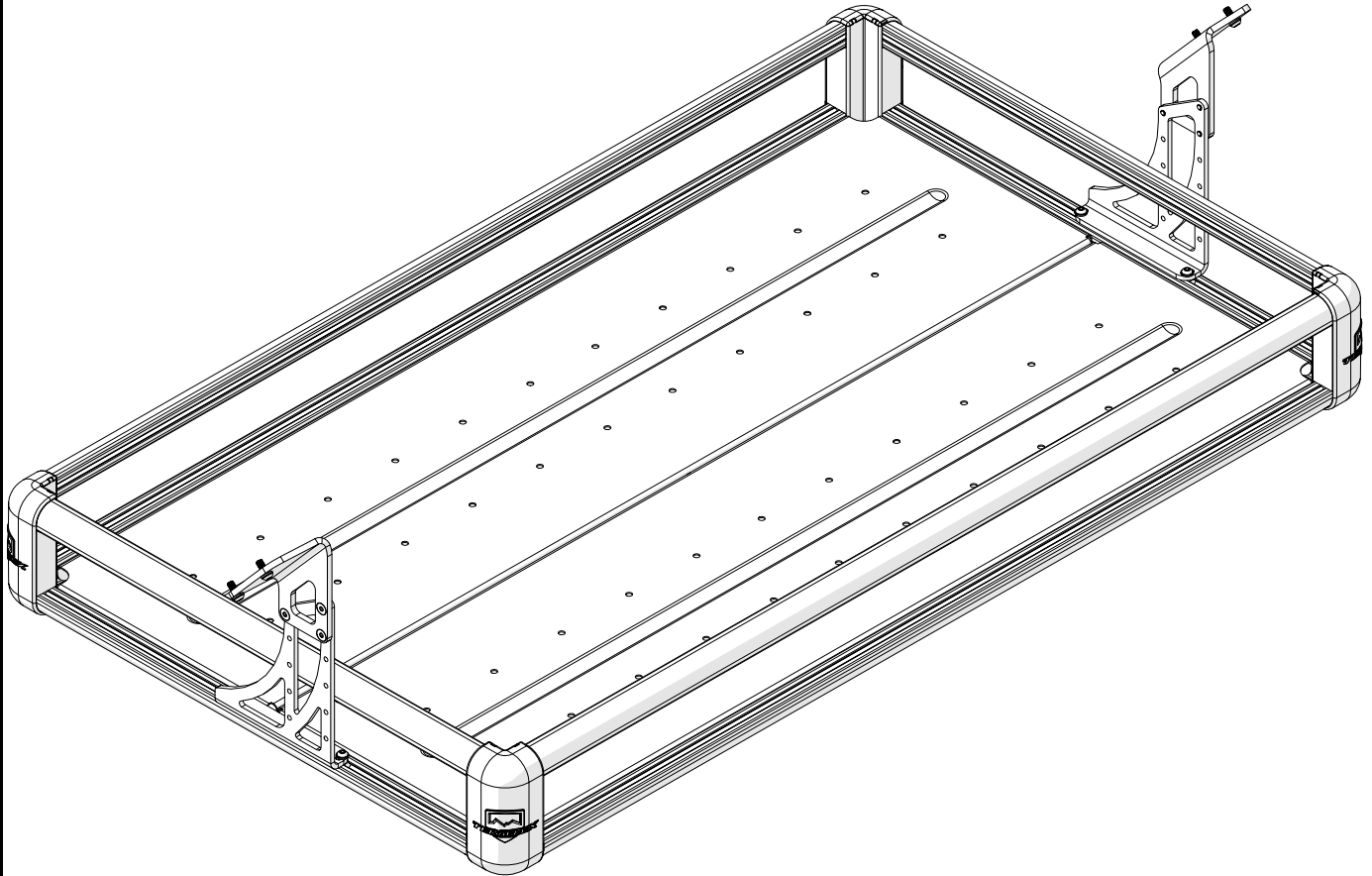




# **JK CARGO STORAGE RACK**

#4820000

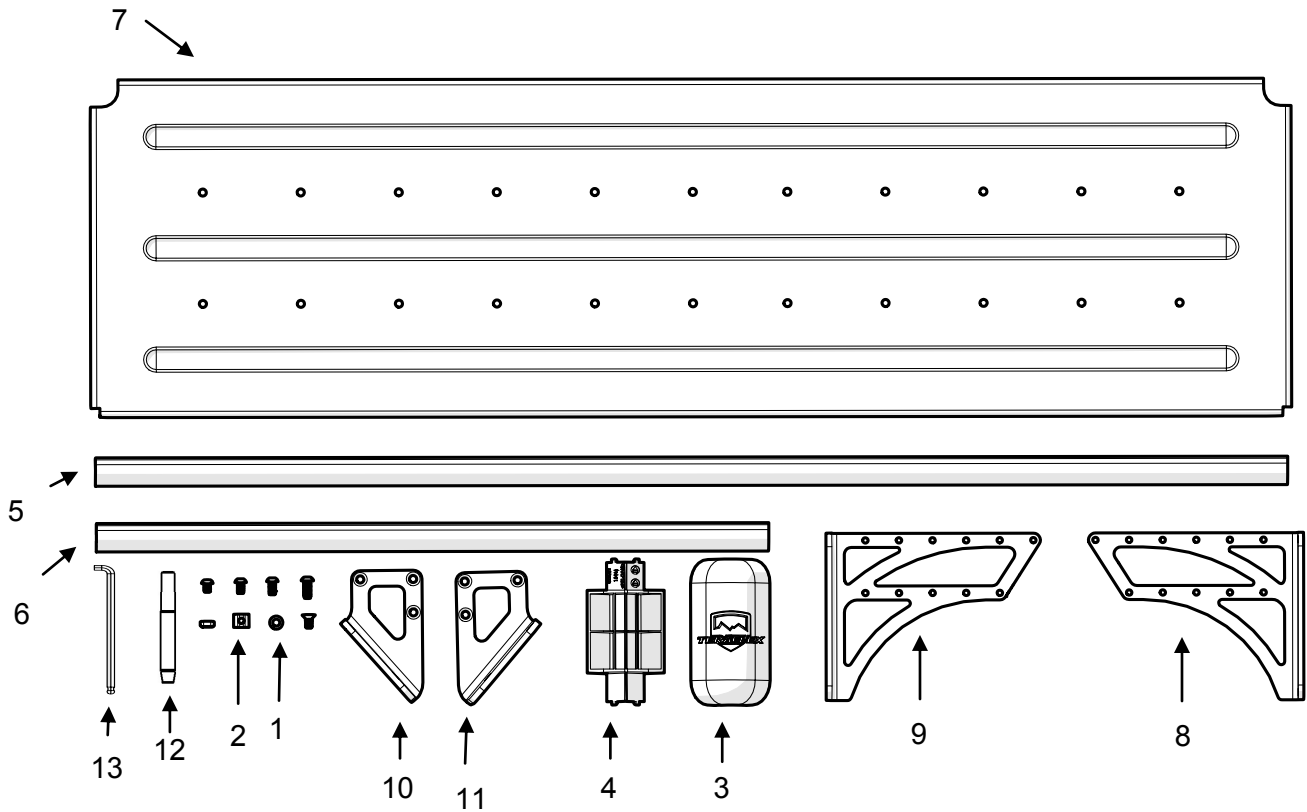


## **Important Notes:**

Prior to beginning this or any installation read these instructions to familiarize yourself with the required steps and evaluate if you are experienced and capable to personally perform these modifications. A factory service manual should be used in conjunction with these installation instructions.

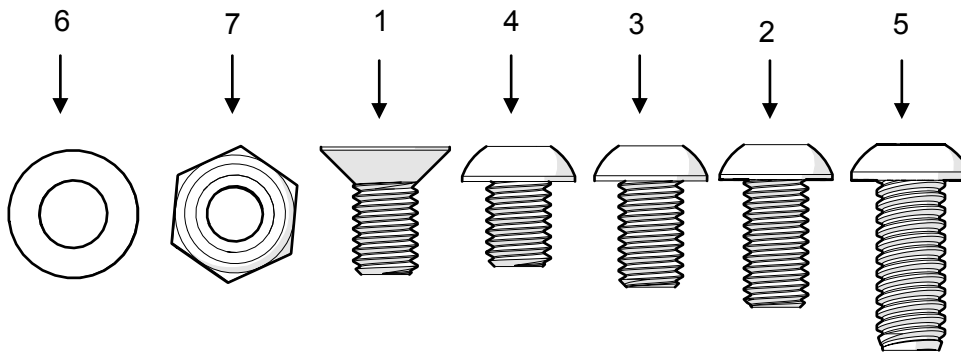
## **Tools needed:**

- This installation guide



Parts List- Kit #4820000

Item Number	Part Number	Description	Quantity
1	5049	Hardware Pack for JK Rear Cargo Rack	1
2	651390	M6 x 1.0 P T-Nut for 10 Series Extrusions	40
3	820001	JK Rear Storage Rack Corner Outer Cap	4
4	820002	JK Rear Storage Rack Corner Inner Support	4
5	820003	JK Rear Storage Rack Aluminum Rail Long Side	4
6	820004	JK Rear Storage Rack Aluminum Rail Short Side	4
7	820027	JK Rear Storage Rack Bottom Panel	2
8	820028	JK Rear Storage Rack Driver Side Bracket	1
9	820029	JK Rear Storage Rack Passenger Side Bracket	1
10	820030	JK Rear Storage Rack Driver Roll Cage Bracket	1
11	820031	JK Rear Storage Rack Passenger Roll Cage Bracket	1
12	242001	Turbo-Lock Blue Thread Locker	1
13	392	4mm Stubby Hex L-Key Allen Wrench	1

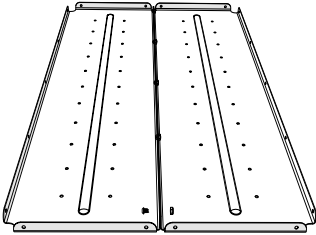


Parts List- Kit #5049			
Item Number	Part Number	Description	Quantity
1	330	Bolt M6 x 1.0 x 12mm Long Stainless Flat Socket Head Cap Screw	6
2	331	Bolt M6 x 1.0 x 12mm Long Stainless Button Head Socket Cap Screw	4
3	332	Bolt M6 x 1.0 x 10mm Long Stainless Button Head Socket Cap Screw	16
4	333	Bolt M6 x 1.0 x 8mm Long Stainless Button Head Socket Cap Screw	23
5	707	Bolt M6 x 1.0 x 16mm Long Button Head Socket Cap Screw 18-8 Stainless Steel	4
6	708	Washer M6 18-8 Stainless Steel	8
7	709	Nut M6 x 1.0 Nylock 18-8 Stainless Thin Hex Locknut	5



Park the vehicle on a level surface and set the parking brake. Thread locking compound has been provided in this kit. Apply to all fasteners. Hard Top Removal will improve access, but is not necessary.

Start by assembling (2) #820027 bottom panels on a flat table. Use (5) #333 BOLTS with (5) #709 nuts to join the two panels. Torque to 5 FT-LBS (7 Nm)

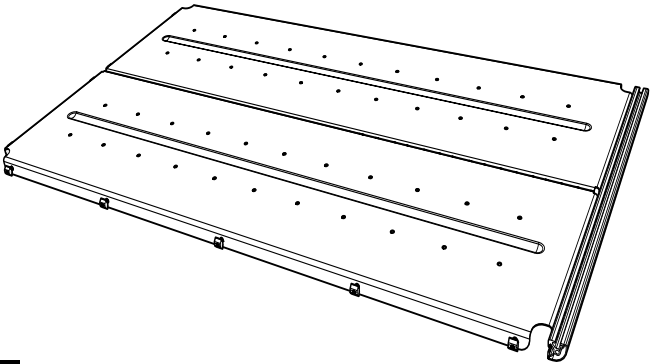
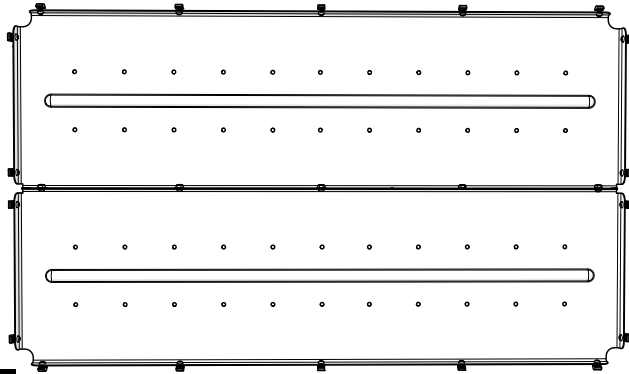


1

2

Loosely install the (18) #333 perimeter bolts and (18) #651390 T-nuts. The T-nuts should be on the outside of the panels. This will make installation of the aluminum rails much easier.

Slide one #820004 aluminum rail onto the panel assembly. Slide the T-nuts into the aluminum rail. Do not tighten the bolts until instructed.

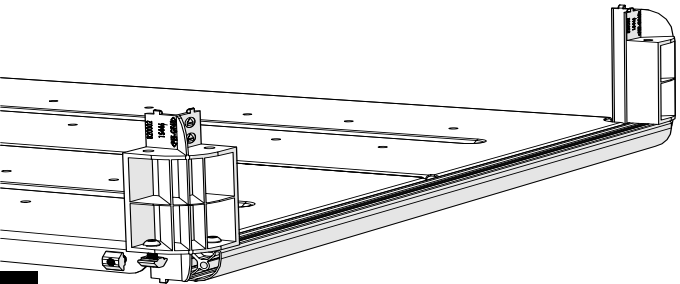
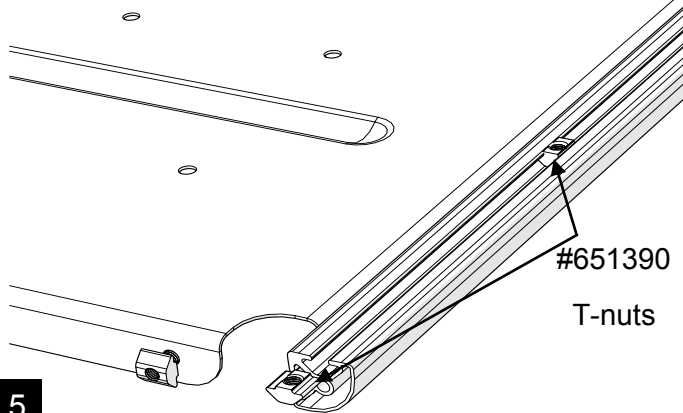


3

4

**Important!** Slide (2) #651390 T-nuts into the top of the just installed aluminum rail. These T-nuts will be utilized later.

Loosely install (2) #820002 composite corners on each end of the aluminum rail. Using (4) #332 bolts and (4) #651390 T-nut's. It will be easier to install the hardware into the composite corners first, then slide them into place.



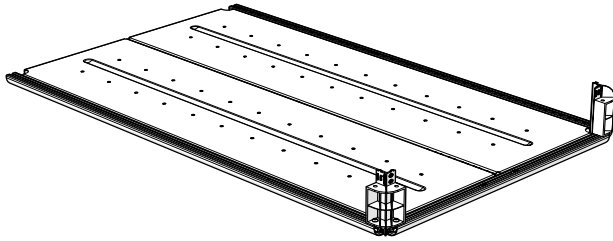
5

6



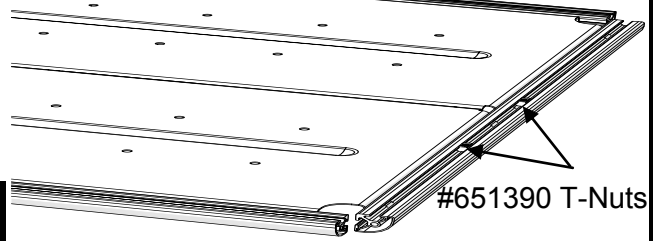
Install (2) long side #820003 aluminum rails by sliding the rails onto the previously installed T-nuts. Align and slide each rail into the composite corners.

7



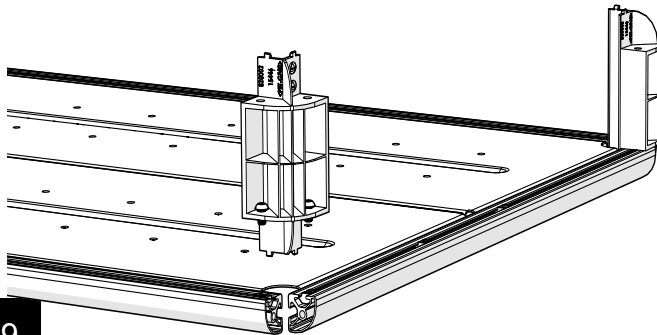
Install the remaining #820004 rail using the same method. **Important!** Slide (2) #651390 T-nuts into the top slot of aluminum rail, they will be utilized later.

8



Slide a #651390 T-nut (4 total) into each of the corner rail ends. Install (2) #820002 composite corners and loosely bolt into place utilizing (4) #332 bolts and the #651390 T-nuts you just inserted.

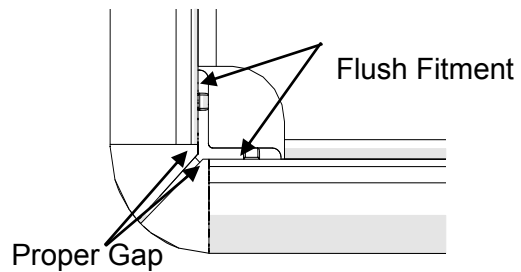
9



Adjust aluminum rails so that there is at least a 1/16" gap at the corner junction. If the rails are square with each other the composite corners will fit flush with the rails. If the assembly is not square adjust accordingly and tighten all floor panel and composite corner bolts to 5 FT-LBS (7 Nm).

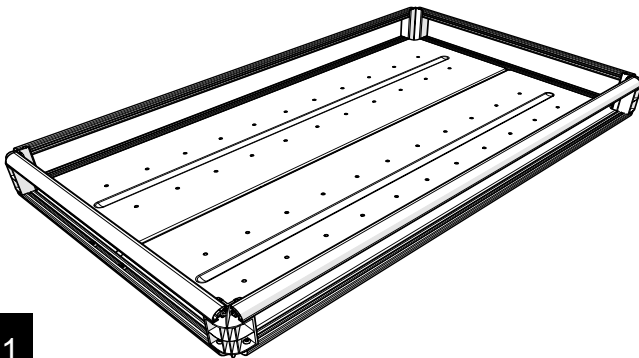
NOTE: Outer caps #820001 will not snap into place if the rack is not square.

10



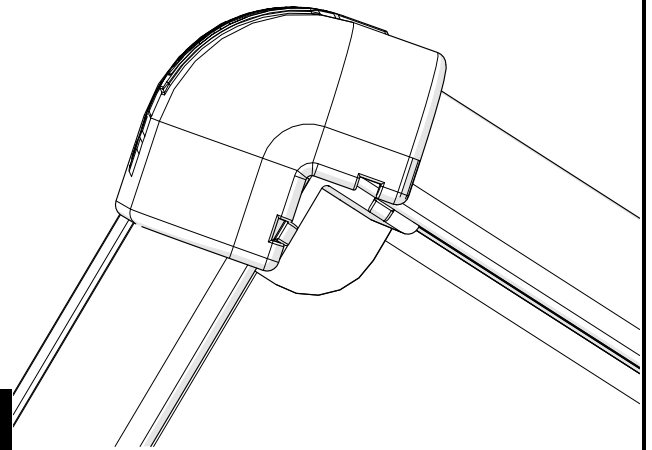
Install top aluminum rails with (8) # 332 bolts and (8) #651390 T-nuts. The 1/16" corner gap should be similar to step 10. Torque to 5 FT-LBS (7 Nm).

11



Install #820001 outer composite corners by starting two clips on one side then rolling the cap on until it snaps into place.

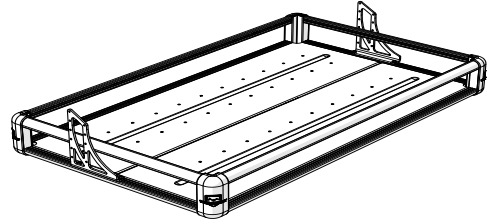
12





Now would be a good time to install the optional panel kit 4820010. Refer to the provided instructions then continue to step 14.

Loosely install mounting brackets #820028 and #820029. Use (4) #331 bolts with (4) #708 washers and utilize the T-nuts that you previously inserted into the rails during steps 5 & 8.

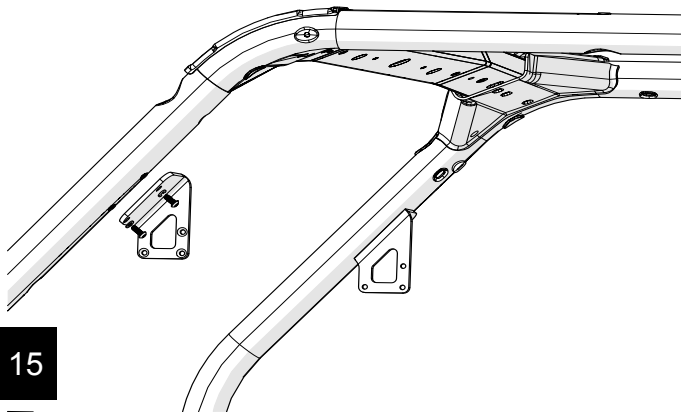


13

Open the velcro on the rear sport bar pad to gain access to the factory installed nutserts. Loosely install bracket #820030 and #820031 using (4) #707 bolts and (4) #708 washers.

14

The rack brackets feature a series of adjustment holes. The rack can be positioned to your desired height to accommodate cargo needs. With assistance position the rack assembly between the sport bar brackets. Once the desired height has been achieved, install (6) #330 bolts. Level the rack and torque the bolts to 5 FT-LBS (7 Nm).

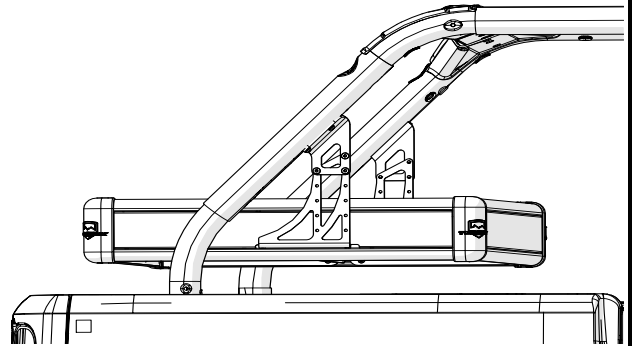


15

This concludes the installation of your new storage rack. Remember to properly secure all items being stored in the rack to prevent harm to passengers in the vehicle in case of an accident.

The rack is adjustable both vertically as well as front to back. Slide the rack forward until there is a 1/4" gap between the rack and back seat. Torque the bolts to 5 FT-LBS (7 Nm).

16



17

18



## PRODUCT INFORMATION

### MAINTENANCE INFORMATION:

It is the buyer's responsibility to have all suspension, drivetrain, steering, and other components checked for proper tightness and torque after the first 100 miles and every 3000 miles after that.

### NOTICE TO INSTALLER:

The enclosed "Warning to Driver" sticker must be installed in the vehicle in driver's view. This sticker is to act as a constant safety reminder when operating the vehicle. It is your responsibility as the equipment installer to install the provided sticker and to forward the product instructions to the vehicle's owner for review. If a "Warning to Driver" sticker or product installation guide were not included in the kit, FREE replacement stickers and instructions are available by request. It is the installer's duty to ensure a safe and controllable vehicle after the modifications have been performed.

### WARNING:

Neither the seller nor the manufacturer will be liable for any loss, damage, or injury directly or indirectly arising from the use of or inability to determine the use of these products. Before using, the user shall determine the suitability of the products for its intended use, and the user shall assume all responsibility and risk in connection therewith.

### WARNING TO DRIVER:

This vehicle has been modified to enhance off road performance and has unique handling characteristics. Use in harsh environments can cause extreme stress on the components. Vehicle should be inspected after being off road to make sure that all the components are in working order and safe to travel on the highway. All fasteners should be checked so that they are at the correct torque specifications as the vibration and stresses from off roading may cause critical fasteners to work loose. Extra care should be taken to inspect the critical components, steering, and brake systems. During each oil change components such as arms, tie rod ends, etc should be greased and checked for excessive wear. Any worn components should be replaced. When returning to the pavement always set or restore tire air pressure to the factory recommendation and connect or engage any disabled sway bar mechanisms. Because of the higher center of gravity and larger tires, this vehicle handles and reacts differently than many passenger cars, both on and off road. You must drive it safely! Extreme care should be taken to prevent vehicle rollover or loss of control, which can result in serious injury or death. Avoid sudden sharp turns or abrupt maneuvers. Generally, braking performance and capabilities are decreased when significantly larger/heavier tires are used, especially when used in combination with transfer case low-range reduction kits. Take this into consideration while driving. Do not add, alter or fabricate any factory or aftermarket parts to increase vehicle height over the intended height of the TeraFlex product purchased. Mixing component brand is not recommended. TeraFlex Inc. will not be responsible for any altered product or any improper installation or use of our products. We will be happy to answer any questions concerning the design, function, and correct use of our products. It is ultimately the buyer's responsibility to have all bolts/nuts checked for tightness after the first 100 miles and then every 3000 miles. Wheel alignment, steering system, suspension and drive line systems must be inspected by a qualified professional mechanic at least every 3000 miles.

### TERAFLEX PRODUCT WARRANTY:

TeraFlex Inc. warrants TeraFlex Suspension products to the original retail purchaser to be free of defects in material and workmanship for as long as the original purchaser owns the vehicle on which products were originally installed.

Failure to complete regular maintenance (grease every 3000 miles) on TeraFlex FlexArms will void this warranty. All other conditions of the standard TeraFlex product warranty apply.

All TeraLow products are covered by the TeraFlex two (2) year warranty to be free of defects in material and workmanship for two years from date purchased.

TeraFlex axles are covered by a 12-month warranty to be free of defects in materials and workmanship.

This warranty does not cover or include product finish, improperly installed or applied products, improperly maintained products, products or components used for racing or competition or damage due to abuse or neglect, products that fail due to the use of larger tire and wheel combinations.

All returns must be accompanied by an original invoice. It is the customer's responsibility to remove the product from the vehicle. Shipping charges are the responsibility of the customer. TeraFlex Inc. will pay the return freight if the product meets the terms of warranty.

This warranty is for the replacement or repair of defective TeraFlex products only and does not include freight charges, labor charges for removal of or installation of TeraFlex or related products or components, costs incurred due to down time of the vehicle, or lost profits due to vehicle down time.

A returned goods authorization number (RGA#) must accompany any returned products. For more information please contact a TeraFlex customer service representative.

### COPYRIGHT

©Copyright 2014. All rights reserved, TeraFlex Inc. Reproduction of this catalog and/or any of its contents without written permission is strictly prohibited.

TeraFlex® is a registered trademark of TeraFlex Inc. All trade names and logos including but not limited to TeraFlex, FlexArms, RockGuard, Monster, and LCG are protected by law and duplication of trade names and/or logos are strictly prohibited.

TeraFlex Inc. reserves the right to update, discontinue, redesign, modify finish, part number or component build parts if deemed necessary without written notice.

TeraFlex Inc., and any associated dealers are not responsible for misprints or typographical errors that may have inadvertently been made within this instruction sheet.

Jeep® and the Jeep® grill are registered trademarks of Fiat Chrysler Automobiles N.V., and have no affiliation with TeraFlex Inc.