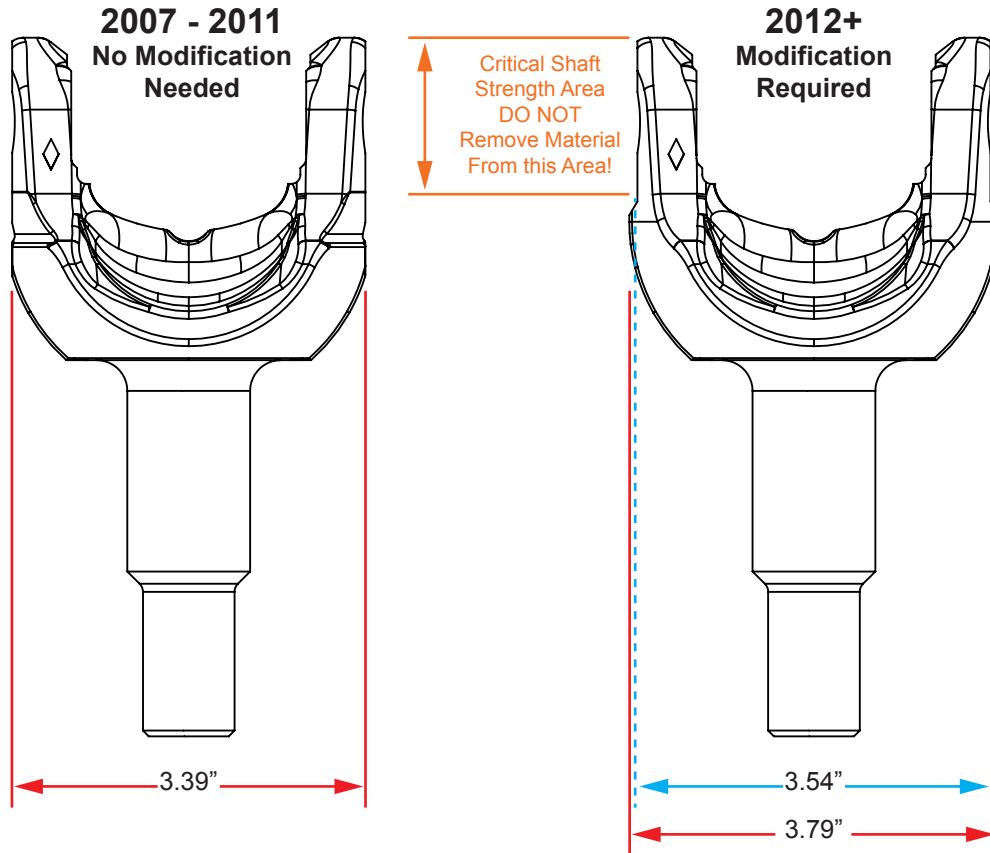


TERAFLEX

Technical Service Bulletin JK HD Ball Joint Kit 2013+ JK Stub Shaft Modification



2012 and newer front Dana 30 & Dana 44 equipped JK Wranglers utilize a larger diameter outer stub shaft. This causes interference issues when used with TeraFlex HD Ball Joints (lower ball joint only).

A DIY solution to fix this issue involves minor clearing of a non-critical area of the outer stub shaft to allow proper lower ball joint clearance. As seen in the diagram above, removal of approximately 0.125" from each side of the outside diameter of the outer stub shaft shoulder is required.

Note: By avoiding any modification to the critical strength area, shown above, the outer stub shaft's performance and strength will not be affected by this slight modification.

