



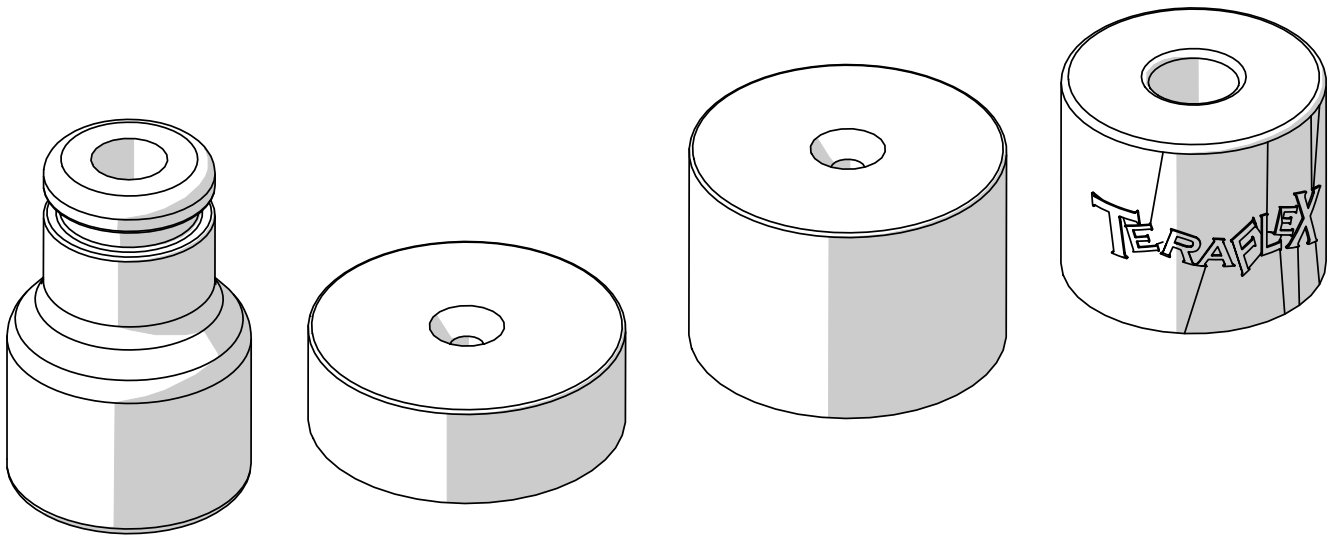
## JK Front Bumpstop Extensions

#1953800 Front Upper 2.75" Tall

#1910234 Standard Lower 2.25" Tall

#1467125 Speedbump Lower Bumpstop 1.25" Tall

#1467250 Speedbump Lower Bumpstop 2.5" Tall



### Important Notes:

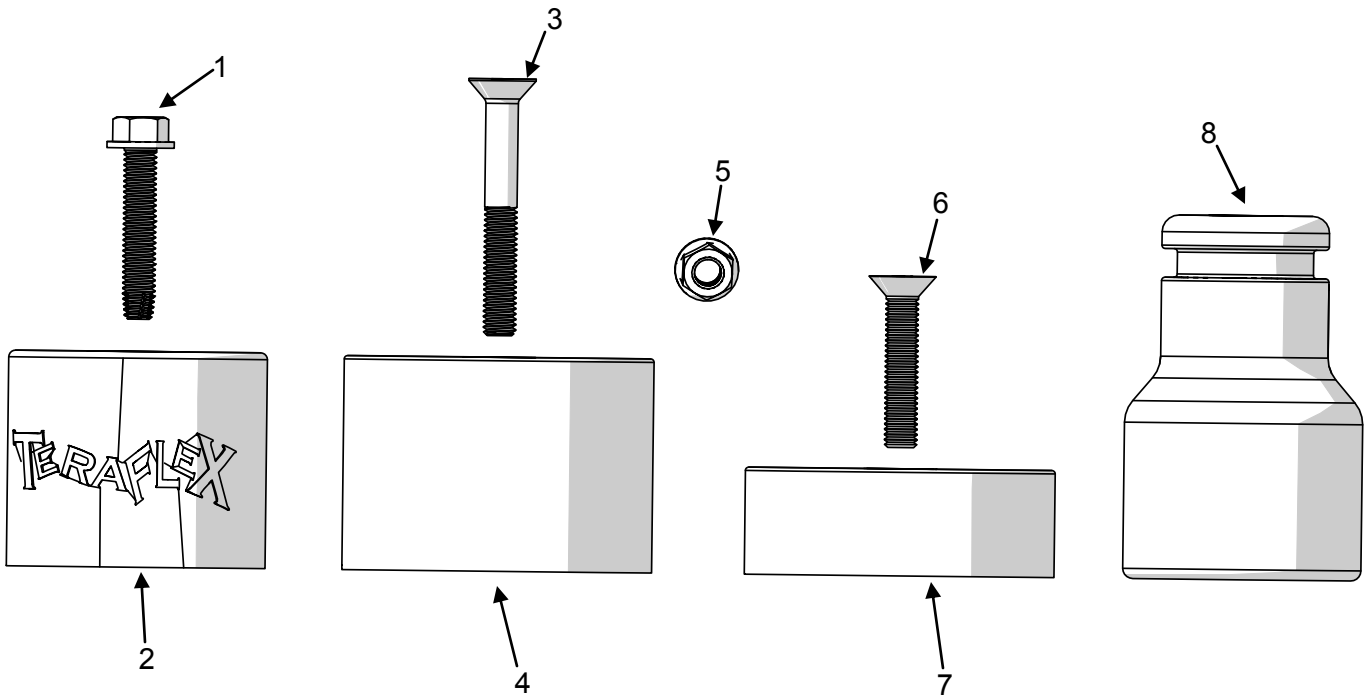
Prior to beginning this or any installation read these instructions to familiarize yourself with the required steps and evaluate if you are experienced and capable to personally perform these modifications. A factory service manual should be used in conjunction with these installation instructions.

Refer to the parts list to ensure that all necessary components and hardware has been included. If any parts are missing please contact your local TeraFlex dealer for assistance.

For upper bumpstop installation, see page 5.

### Tools needed:

- This installation guide
- Basic mechanics tool set



Parts List- Kit #1910234

Item Number	Part Number	Description	Quantity
1	31	Bolt 3/8"-16x2" Self Tapping	2
2	4671111	JK/TJ Front Lower 2.25" Raised Bumpstop Pad	2

Parts List- Kit #1467250

Item Number	Part Number	Description	Quantity
3	3151	Bolt 3/8"-16x3" Flat Head Socket Cap	2
4	467250	Bumpstop JK Front 2.5" Tall x 3.5" OD	2
5	85	Nut 3/8"-16 Flanged Serrated	2

Parts List- Kit #1467125

Item Number	Part Number	Description	Quantity
6	315	Bolt 3/8"-16x2" Flat Head Socket Cap	2
7	467125	Bumpstop JK Front 1.25" Tall x 3.5" OD	2
5	85	Nut 3/8"-16 Flanged Serrated	2

Parts List- Kit #1953800 (See Page 5)

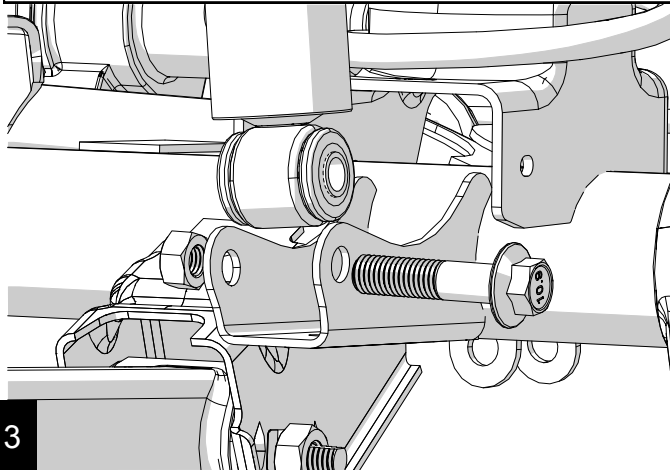
Item Number	Part Number	Description	Quantity
8	953800	JK Front Upper Bumpstop Extension 2.75"	2

## INSTALLATION

Refer to the factory service manual for lift locations. Raise and support the vehicle. Remove the tires and wheels and support the axle with a jack or jack stands.

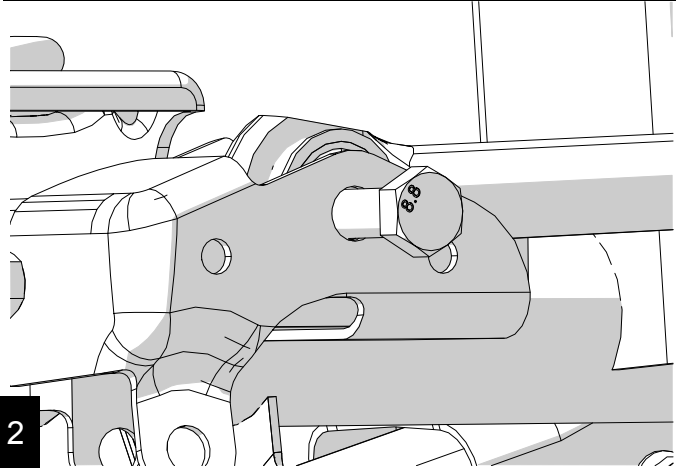
1

Remove the shocks at the axle with an 18mm. (See Shocks/Front Removal 999207)



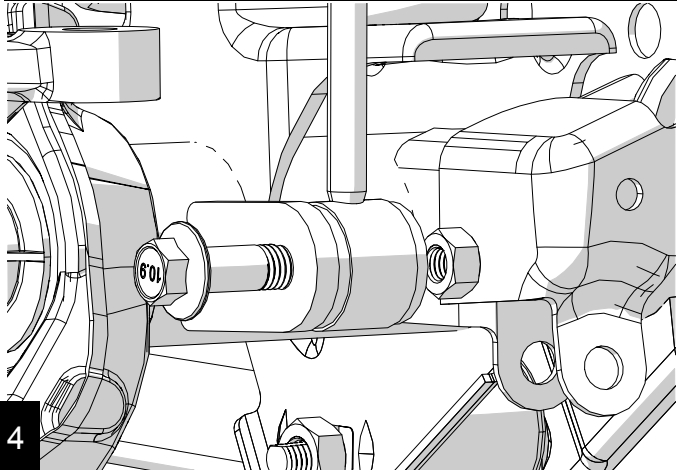
3

Remove the front track bar at the axle with a 21mm. (See Front Track Bar/ Removal 999208)



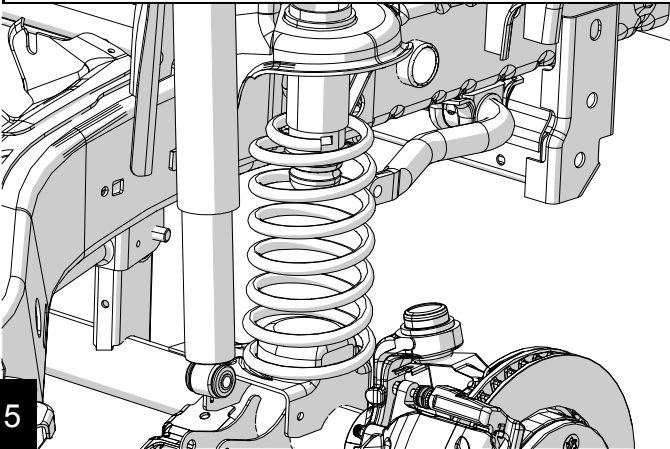
2

Disconnect the swaybar links front the axle with an 18mm. (See 999027 Quick Disconnect Links/Removal)



4

Lower the axle and remove the springs. (See Springs/Front Removal 999206) Upper bumpstop extensions installation see page 5 now.



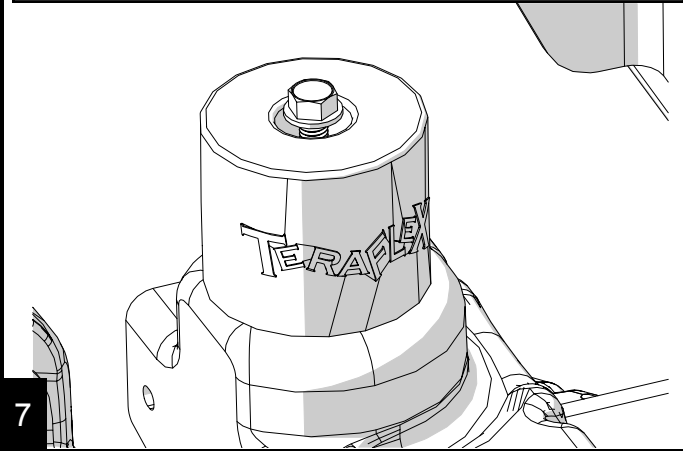
5

Locate the center of the spring pad and drill a 5/16" hole for standard pad installation. For speedbump pads, drill a 3/8" hole.

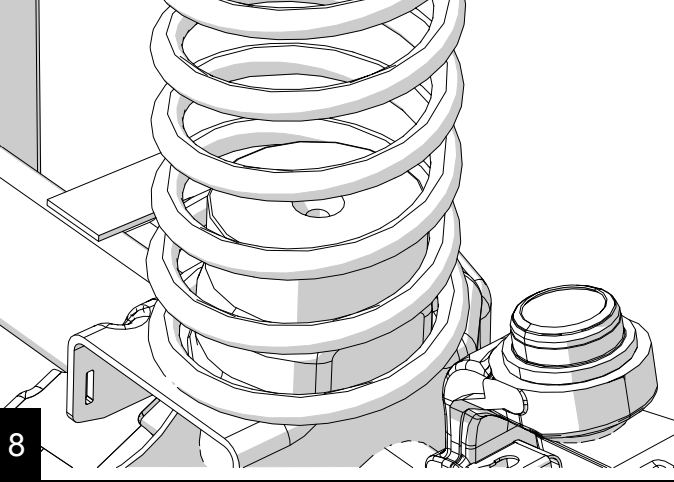


6

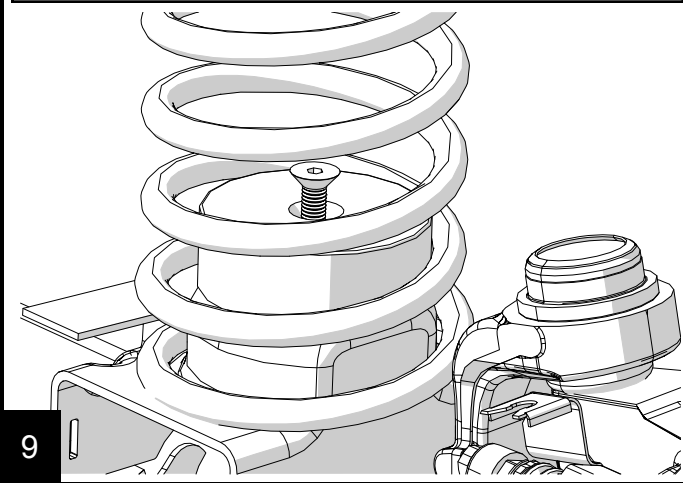
Use the standard bumpstop as a guide and thread the self tapping bolt into the hole. After threads are cut, remove the bolt and bumpstop.



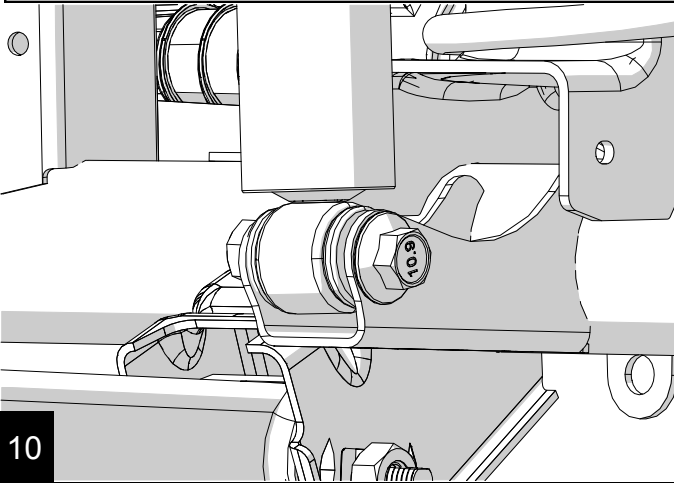
Reinstall the springs and spacer together. Install the pad mounting bolt and tighten.



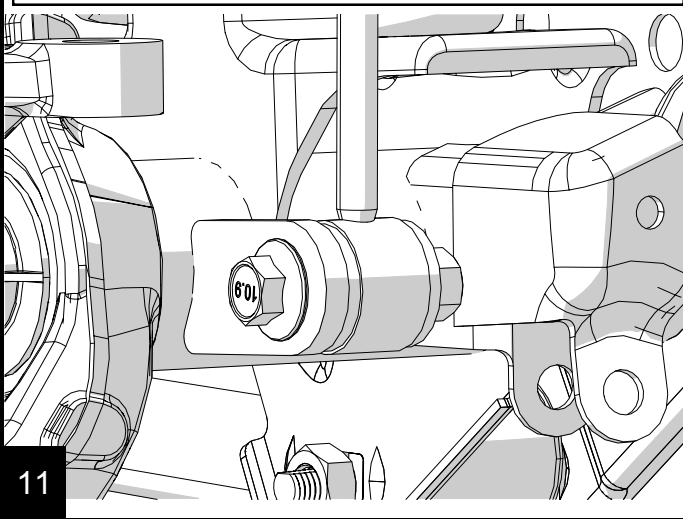
For Speedbump applications, install the bolt through the bumpstop with the nut below the spring pad.



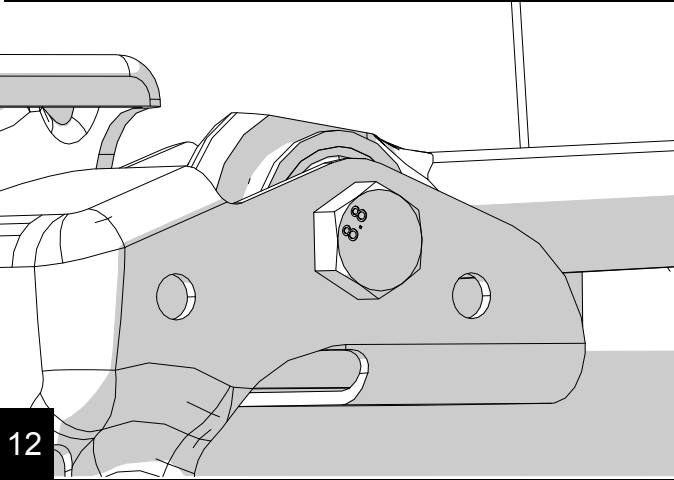
Reinstall the shocks. (See 999207 Shocks/Front/Installation)  
Torque lower bolt to 56 ft-lbs.



Reconnect the swaybar links to the axle. Torque to 75 ft-lbs.



Reinstall the tires, remove supports and lower to the ground. Reinstall the front trackbar. (See Front Trackbar/Installation)

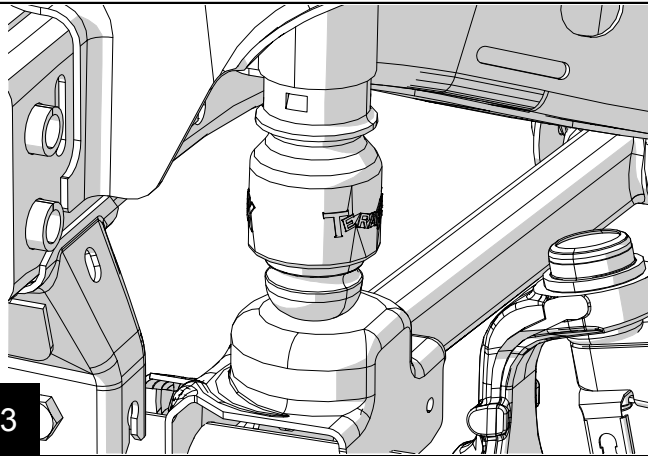


## UPPER INSTALLATION

Park the vehicle on a level surface and set the parking brake. Raise the vehicle and support the frame to allow axle droop. Support the axle with a hydraulic jack. Remove the wheels and tires.

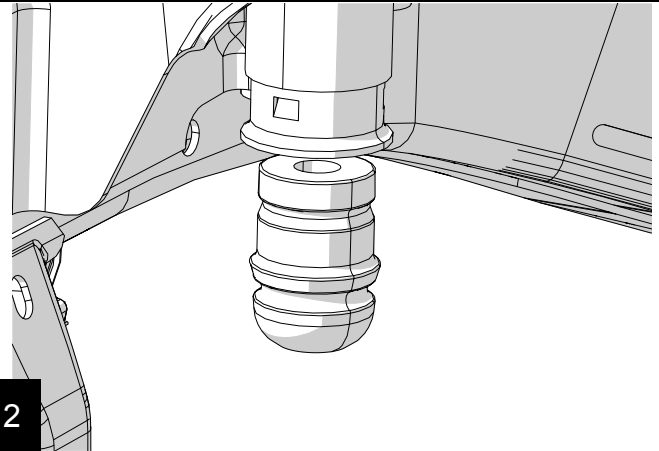
1

Reinstall the bumpstop by aligning the bumpstop, extension, and jounce tube. Use the hydraulic jack and raise the axle until they are seated together. A grease coating will help.



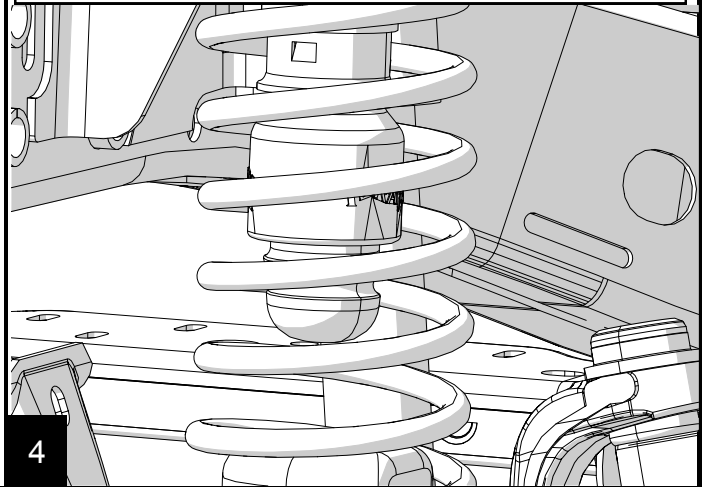
3

Perform steps 2-5 of the lower instructions. Then remove the factory bumpstop from the jounce tube by working it back and forth while twisting and pulling to the side.



2

Reinstall the spring and perform steps 10-12 of the lower instructions.



4

## PRODUCT INFORMATION

### **MAINTENANCE INFORMATION:**

It is the buyer's responsibility to have all suspension, drivetrain, steering, and other components checked for proper tightness and torque after the first 100 miles and every 3000 miles after that.

### **NOTICE TO INSTALLER:**

The enclosed "Warning to Driver" sticker must be installed in the vehicle in driver's view. This sticker is to act as a constant safety reminder when operating the vehicle. It is your responsibility as the equipment installer to install the provided sticker and to forward the product instructions to the vehicle's owner for review. If a "Warning to Driver" sticker or product installation guide were not included in the kit, FREE replacement stickers and instructions are available by request. It is the installer's duty to ensure a safe and controllable vehicle after the modifications have been performed.

### **WARNING:**

Neither the seller nor the manufacturer will be liable for any loss, damage, or injury directly or indirectly arising from the use of or inability to determine the use of these products. Before using, the user shall determine the suitability of the products for its intended use, and the user shall assume all responsibility and risk in connection therewith.

### **WARNING TO DRIVER:**

This vehicle has been modified to enhance off road performance and has unique handling characteristics. Use in harsh environments can cause extreme stress on the components. Vehicle should be inspected after being off road to make sure that all the components are in working order and safe to travel on the highway. All fasteners should be checked so that they are at the correct torque specifications as the vibration and stresses from off roading may cause critical fasteners to work loose. Extra care should be taken to inspect the critical components, steering, and brake systems. During each oil change components such as arms, tie rod ends, etc should be greased and checked for excessive wear. Any worn components should be replaced. When returning to the pavement always set or restore tire air pressure to the factory recommendation and connect or engage any disabled sway bar mechanisms. Because of the higher center of gravity and larger tires, this vehicle handles and reacts differently than many passenger cars, both on and off road. You must drive it safely! Extreme care should be taken to prevent vehicle rollover or loss of control, which can result in serious injury or death. Avoid sudden sharp turns or abrupt maneuvers. Generally, braking performance and capabilities are decreased when significantly larger/heavier tires are used, especially when used in combination with transfer case low-range reduction kits. Take this into consideration while driving. Do not add, alter or fabricate any factory or aftermarket parts to increase vehicle height over the intended height of the TeraFlex product purchased. Mixing component brand is not recommended. TeraFlex Inc. will not be responsible for any altered product or any improper installation or use of our products. We will be happy to answer any questions concerning the design, function, and correct use of our products. It is ultimately the buyer's responsibility to have all bolts/nuts checked for tightness after the first 100 miles and then every 3000 miles. Wheel alignment, steering system, suspension and drive line systems must be inspected by a qualified professional mechanic at least every 3000 miles.

### **TERAFLEX PRODUCT WARRANTY:**

TeraFlex Inc. warrants TeraFlex Suspension products to the original retail purchaser to be free of defects in material and workmanship for as long as the original purchaser owns the vehicle on which products were originally installed.

Failure to complete regular maintenance (grease every 3000 miles) on TeraFlex FlexArms will void this warranty. All other conditions of the standard TeraFlex product warranty apply.

All TeraLow products are covered by the TeraFlex two (2) year warranty to be free of defects in material and workmanship for two years from date purchased.

TeraFlex axles are covered by a 12-month warranty to be free of defects in materials and workmanship.

This warranty does not cover or include product finish, improperly installed or applied products, improperly maintained products, products or components used for racing or competition or damage due to abuse or neglect, products that fail due to the use of larger tire and wheel combinations.

All returns must be accompanied by an original invoice. It is the customer's responsibility to remove the product from the vehicle. Shipping charges are the responsibility of the customer. TeraFlex Inc. will pay the return freight if the product meets the terms of warranty.

This warranty is for the replacement or repair of defective TeraFlex products only and does not include freight charges, labor charges for removal of or installation of TeraFlex or related products or components, costs incurred due to down time of the vehicle, or lost profits due to vehicle down time.

A returned goods authorization number (RGA#) must accompany any returned products. For more information please contact a TeraFlex customer service representative.