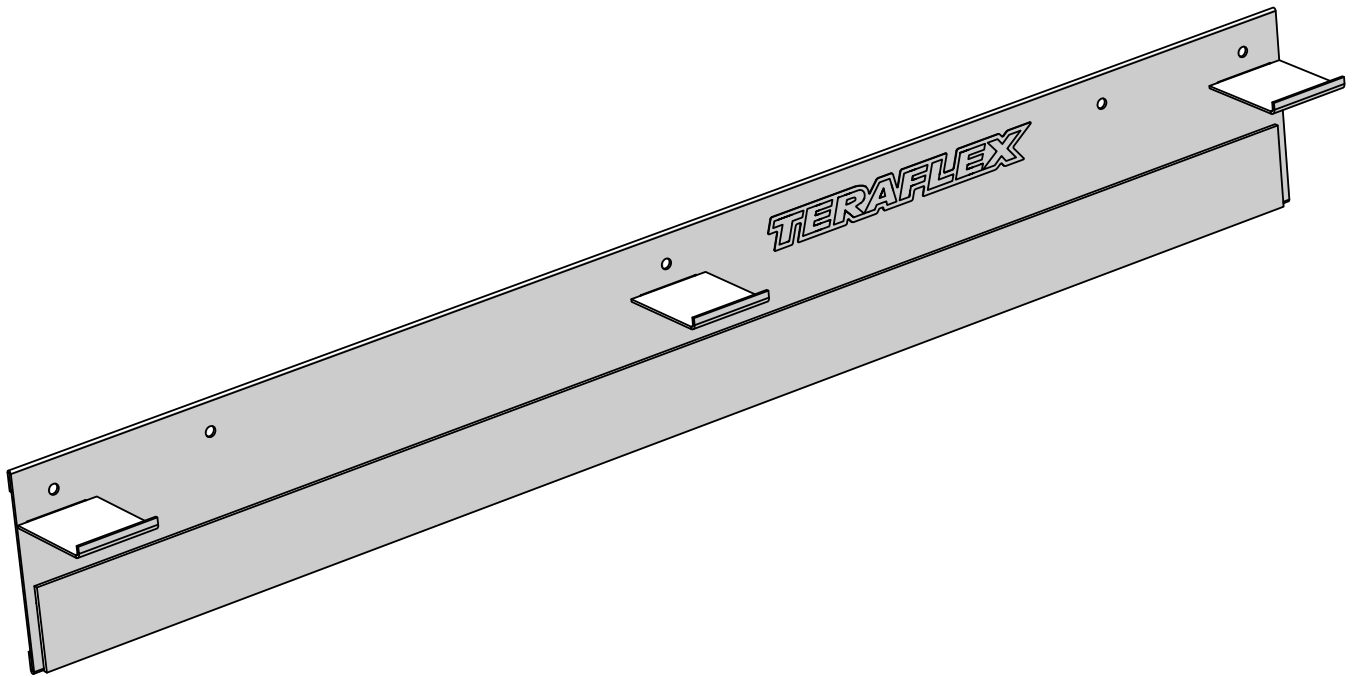




# Soft Top Window Holder

Kit #1830602 Soft Top Window Holder



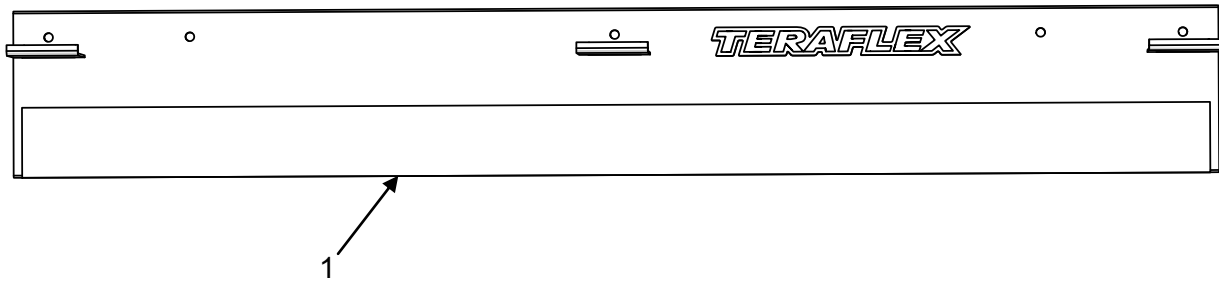
## **Important Notes:**

Prior to beginning this or any installation read these instructions to familiarize yourself with the required steps and evaluate if you are experienced and capable to personally perform these modifications. A factory service manual should be used in conjunction with these installation instructions.

Refer to the parts list to ensure that all necessary components and hardware has been included. If any parts are missing please contact your local TeraFlex dealer for assistance.

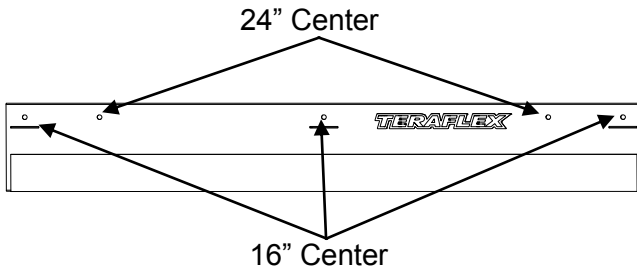
## **Tools needed:**

- This installation guide
- Basic mechanics tool set
- Three Wood Screws



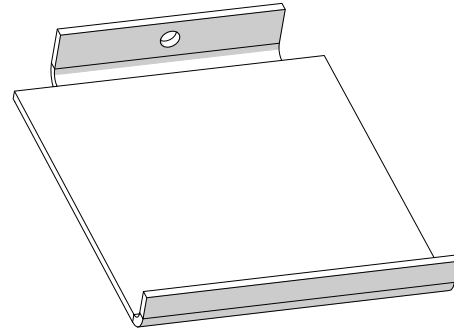
Parts List- Kit #1992000			
Item Number	Part Number	Description	Quantity
1	1830602	Soft Top Window Holder	1

The hanger bracket is drilled for 24" and 16" on center wall studs.



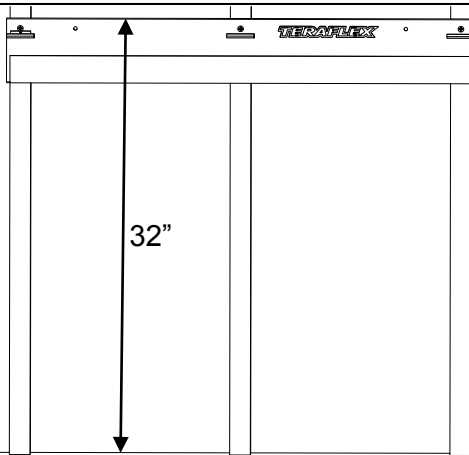
1

Insert the three tabs into the wall bracket with the longest tab in the middle. The side of the tabs with a hole is the captured side.



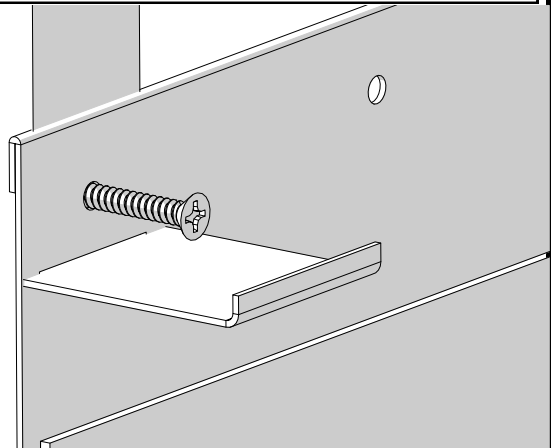
2

The bracket must be mounted at a minimum of 32" from the floor to the top of the bracket.



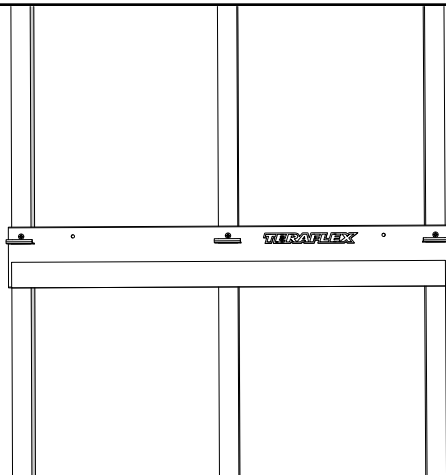
3

Locate the wall studs with a stud finder. Use wood screws that are at least 1.5" long. Some may require longer screws depending on drywall thickness.



4

Loosely install a screw, make the bracket level, and install the remaining screws.



5

Use the Velcro on the window and place the first door low on the hook strip. Place the second just above.



6

Hang the rear window by the channel on the tabs.

