

TERRAFLEX

PRODUCT INSTALLATION GUIDE

JK Aluminum Hinged Tire Carrier CB Antenna Mount

Part #4838220



Important Notes:

Prior to beginning this or any installation read these instructions to familiarize yourself with the required steps and evaluate if you are experienced and capable to personally perform these modifications.

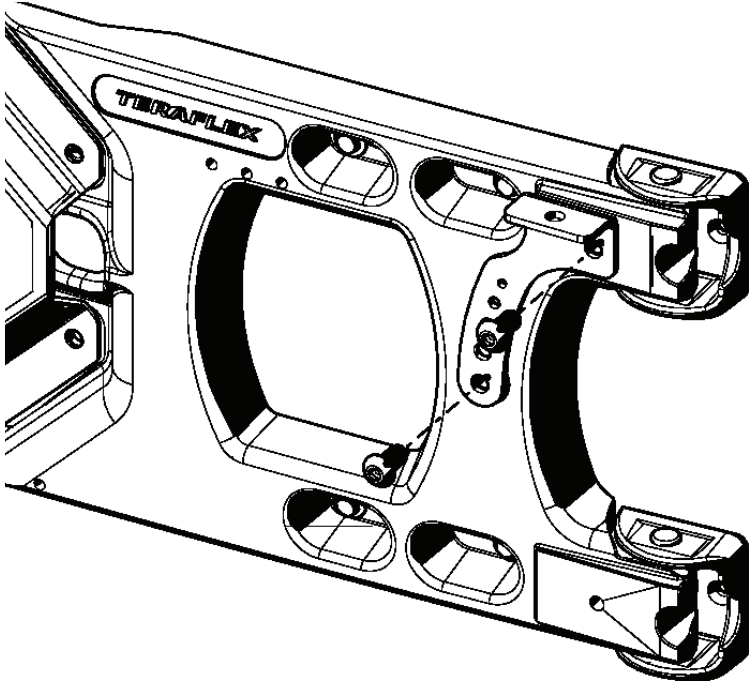
Refer to the parts list to ensure that all necessary components and hardware has been included.

BOM ID	Part Number	Description	Qty
1	5861	Bolt 1/2"-13 UNC x 1" Long Button Head Socket Bolt Black Zinc	2
2	838220	JK Aluminum Hinged Tire Carrier CB Antenna Mount	1

Tools needed:
5/16" Allen Wrench

Installation:

1. Place the CB Antenna Mount on your TeraFlex Aluminum HD Hinged Tire Carrier so that the most upper and lower hole in the CB Antenna Mount are over the two upper holes on the passenger side of the tire carrier, as pictured below.



2. Insert the two 1/2"-13 bolts through the CB Antenna Mount and thread them into the aluminum tire carrier. Torque to 55ft. Lbs.
3. Install your CB Antenna of choice, following the manufactures installation instructions.