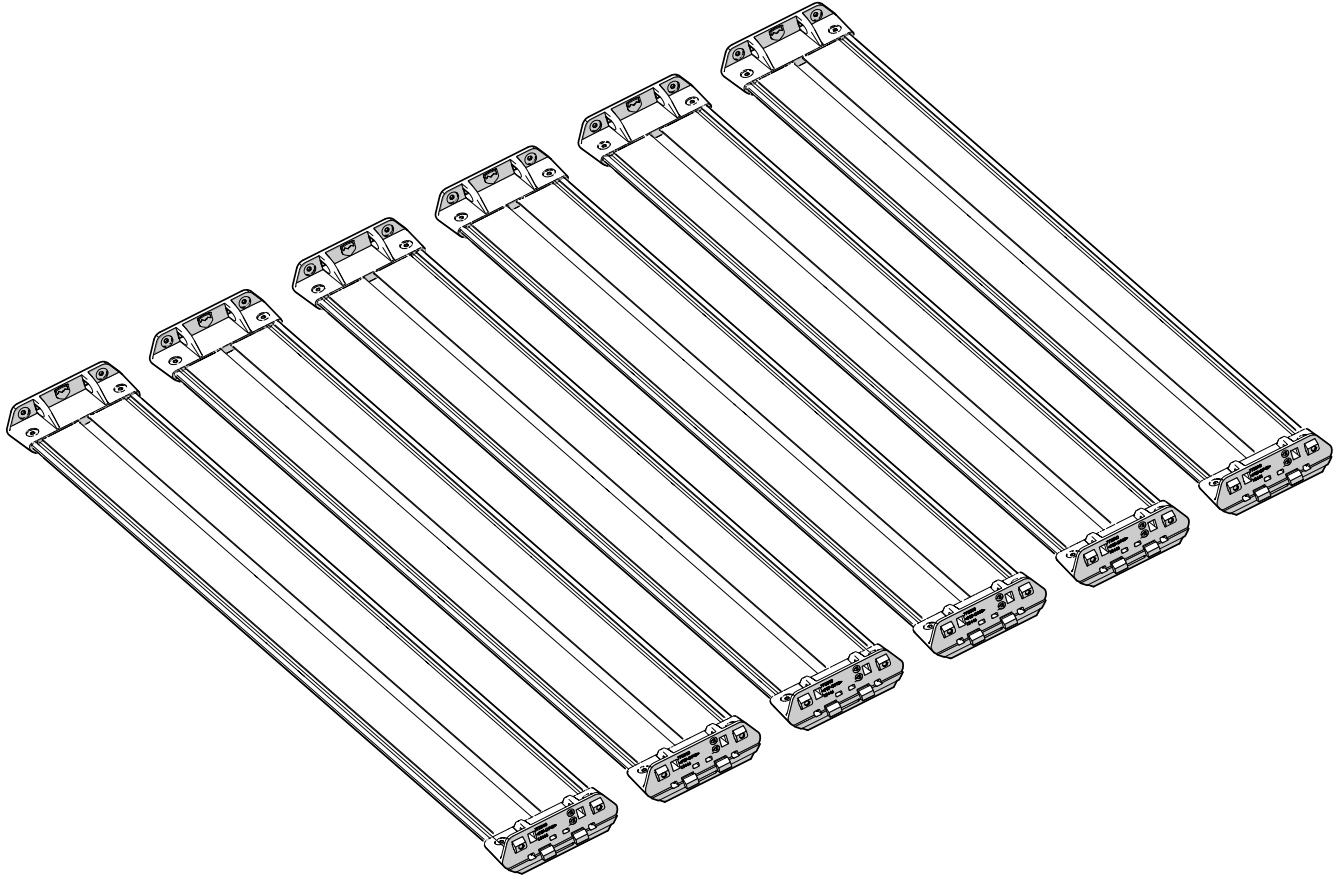




# JK Nebo Roof Rack Slat Kit



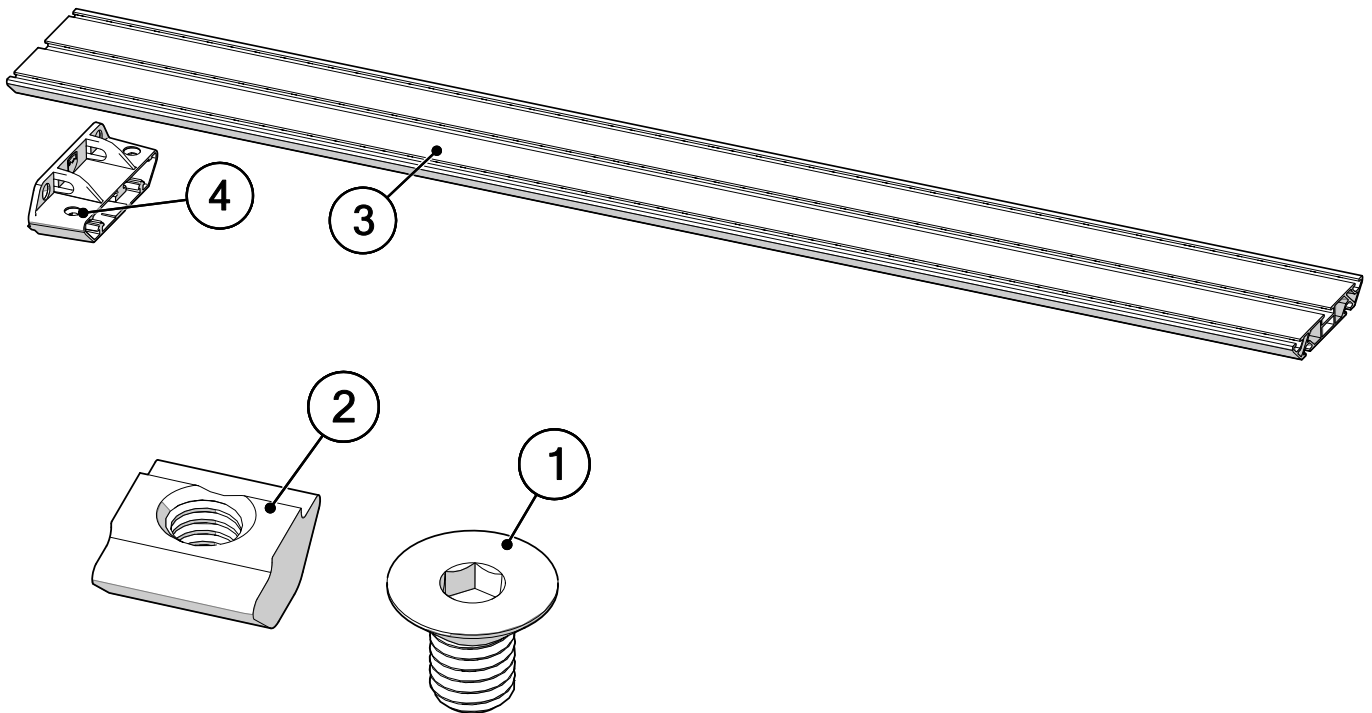
## Important Notes:

Prior to beginning this installation, read these instructions to familiarize yourself with the required steps and evaluate if you are experienced and capable to personally perform these modifications. A factory service and owners manual should be used in conjunction with these installation instructions.

Refer to the parts list to ensure that all necessary components and hardware has been included. If any parts are missing please contact your local TeraFlex dealer for assistance.

## Tools needed:

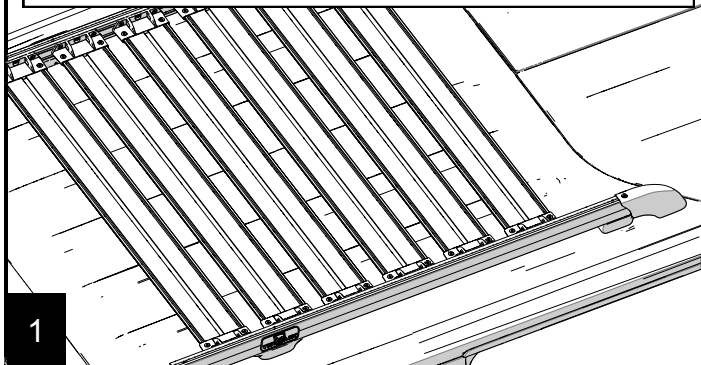
- This installation guide
- 4mm Allen Tool



| Item ID | Part Number | Name   | Quantity |
|---------|-------------|--|----------|
| 1       | 729         | Bolt M6 x 1.0 x 10mm Long Flat Head Socket Cap Screw Stainless               | 50       |
| 2       | 651390      | M6 x 1.0 P T-Nut for 10 Series Extrusions                                    | 50       |
| 3       | 772300      | JK Roof Rack Aluminum Slat Natural Color 42" Long x 3/4" Thick x 4-3/4" Wide | 6        |
| 4       | 772310      | JK Roof Rack Aluminum Slat Mounting Bracket                                  | 12       |

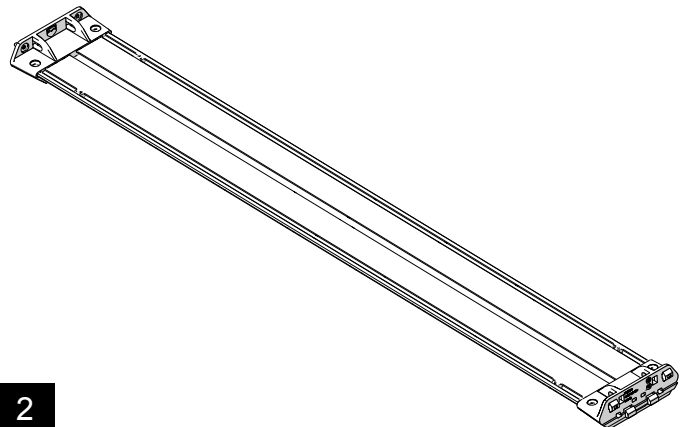
### Installing the Slat Kit in an existing JK Nebo roof rack.

You should already have the main rails installed, if not, please refer to the instructions 999245 for the rail kit.



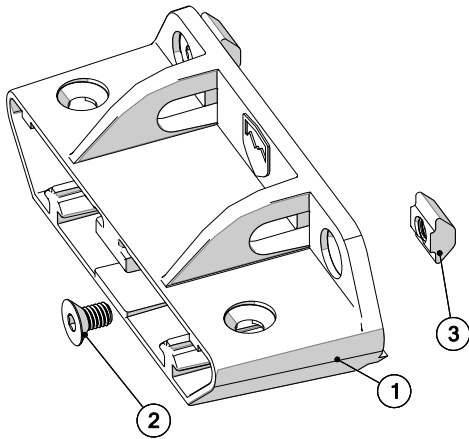
1

### Assemble the slats



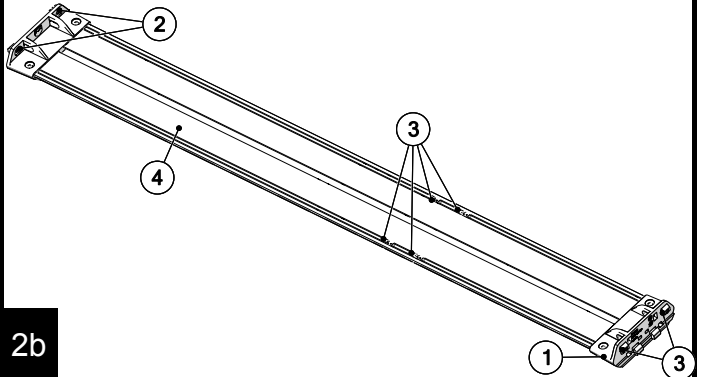
2

Install two of the 729 M6 flat screws (2) and two of the 651390 M6 t-nuts (3) loosely in the locations shown on all twelve of the 772310 mounting brackets (1).



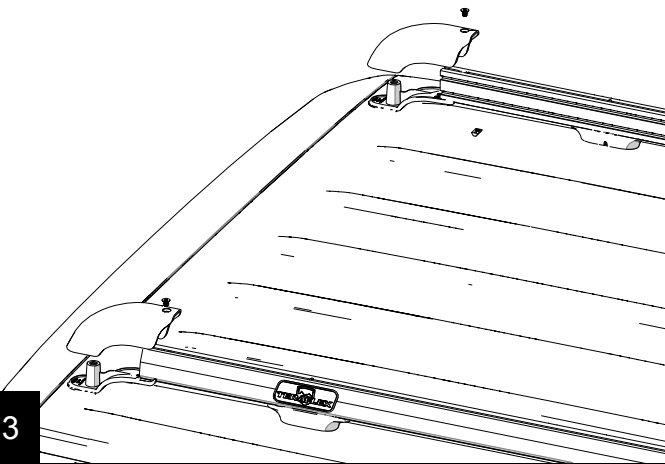
2a

Press on one of the 772310 brackets (1) from the previous step on to a 772300 slat (4). Slide two 651390 t-nuts (3) into each of the two outer tracks, then press another 772310 bracket (1) on the other end. Repeat for all 6 slats.



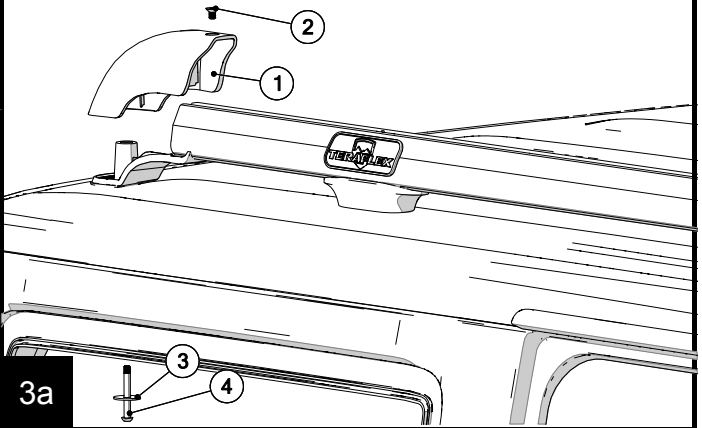
2b

### Remove the rear main rail end caps



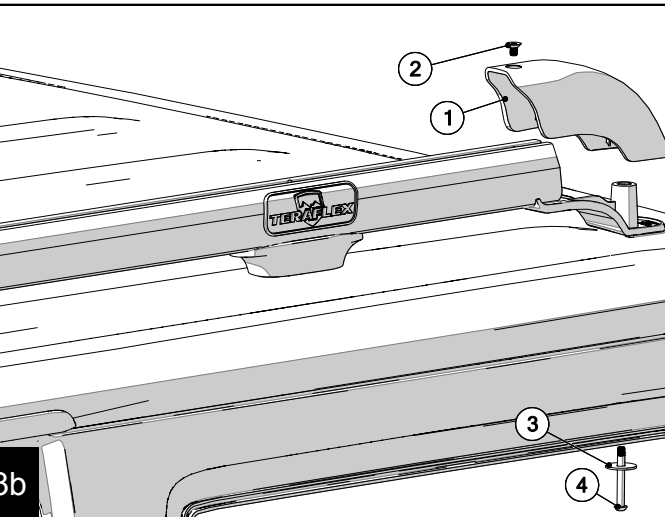
3

From under the hardtop, remove the M6 shoulder screw (4) and 1/4" SAE washer (3). Then remove the M6 flat head screw (2) to remove the 722132 passenger side end cap (1).



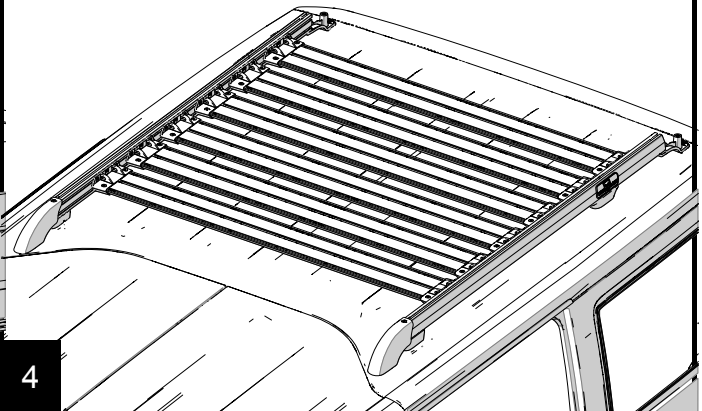
3a

Repeat step 3a to remove the driver side rear end cap (1).



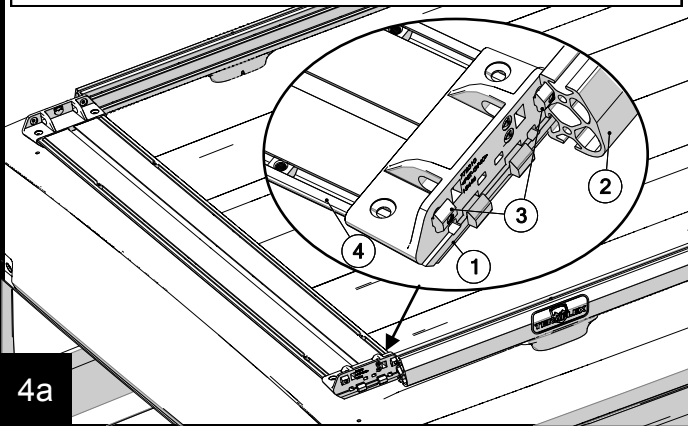
3b

### Install the slats



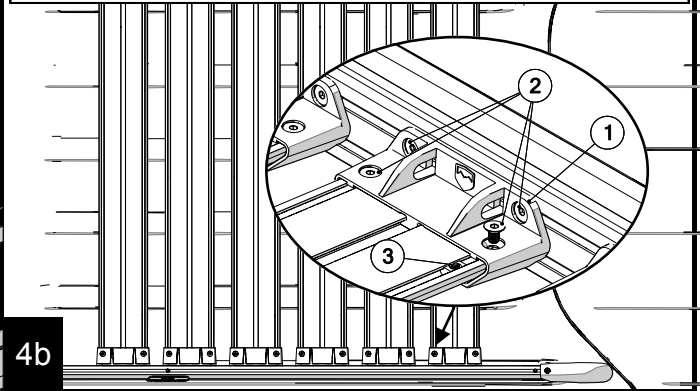
4

Slide a slat assembly (4) from step 2 into the main rails (2). Be sure to line up the 651390 t-nut (3) to the upper slot. The tabs on the 772310 bracket (1) will line up with the lower slot. Slide slat forward and repeat for each slat.



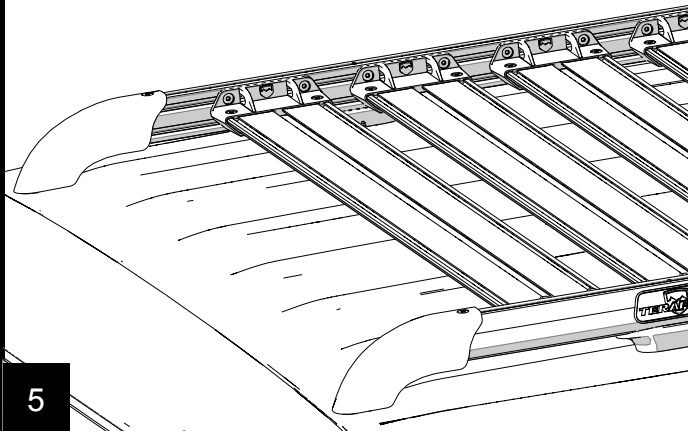
4a

Position the slats along the main rail as desired, keeping the slat perpendicular to the rails. When in position, slide a t-nut (3) under the bracket (1) and thread a M6 flat cap screw (2) into the nut. Repeat for all lower holes. Tighten all upper/ lower M6 flat cap screws (2) to 105 in\*lbs [12 N\*m].



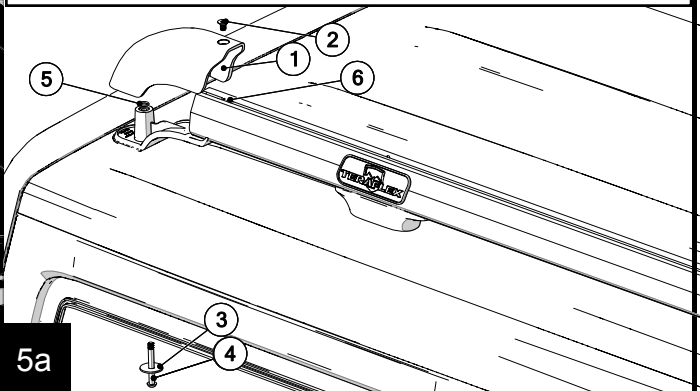
4b

### Install rear main rail caps



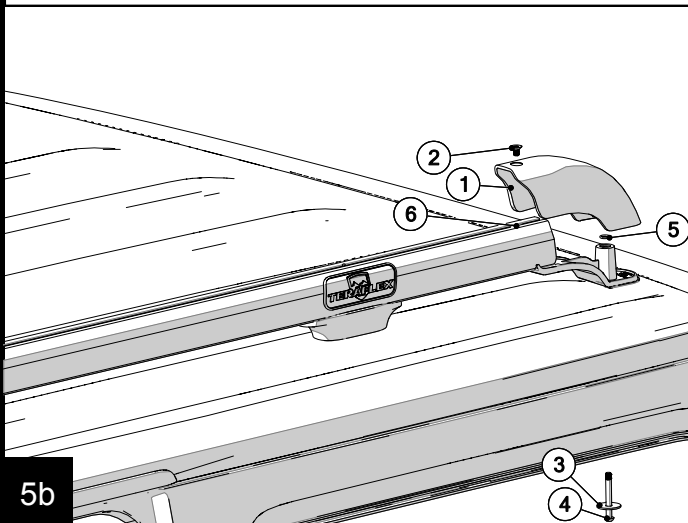
5

Be sure the M6 t-nut (6) is in the upper slot, and the O-ring (5) is in the groove. Press on the 722132 cap (1), then install the washer (3) with M6 shoulder bolt (4) through the hard top. Insert the M6 flat socket screw (2) as shown and screw it into the t-nut (6) tighten both screws to 105 in\*lbs [12 N\*m].



5a

Repeat step 5a for the 722131 driver side cap (1).



5b

### Note to Installer:

Please be sure that the end user receives the instructions and owners manual after installation.

6

## User Manual and Hints

### Load Rating:

**Static Load:** The design of the rack transfers the loads to the sport bar, allowing for an evenly distributed static load of 850 lbs [385 kg]. An example of a static load would be a stationary vehicle with a rooftop tent filled with occupants.

**Dynamic Load:** We recommend a maximum load of 200 lbs [100 kg] for the roof rack for safe operation of the vehicle. The weight should be evenly distributed and secured appropriately.

The customer should experiment with the load at reduced speeds to determine if it is safe to carry as there are many different lift heights, spring rates, track width, etc. The roof rack does not increase the total carrying capacity for the vehicle, be sure the load inside and out does not exceed the vehicle load capacity

1

The load carried on the roof rack will make the vehicle's center of gravity higher. Avoid high speeds and abrupt maneuvers, including sharp turns or sudden start or stops. If driving at high speeds, rough road, or long distances, occasionally stop and check that everything is tightly secured.

Long loads like surfboards or wood panels that extend past windshield will be subjected to strong wind forces. They should be secured both in the front and the rear.

Use extreme caution when carrying items with a large flat surface area as wind forces due to natural forces or passing trucks, can add a sudden upward lift on the load

1a

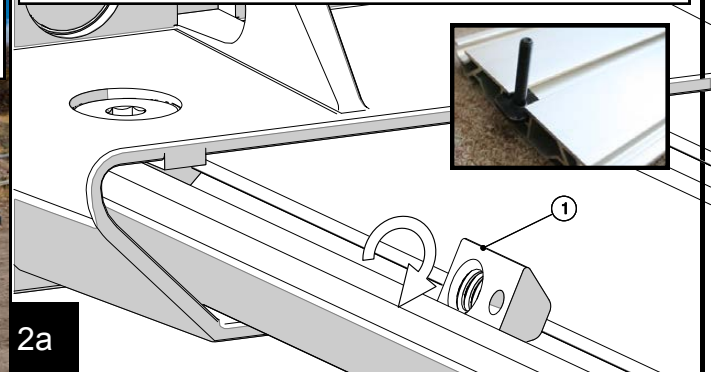
## Mounting Accessories

The TeraFlex slats can also be used to carry cargo or mount existing aftermarket carriers. There is room for a total of 8 slats to be mounted, but be aware that each slat will add 4.8 lbs (2.2kg).

For convenience in mounting accessories into an assembled rack, use a 651380 (1) roll in t-nut. It can be rolled in and out of the smaller t-slot instead of being slide in from an open end. A 10 pack can be purchased as part number 4651380. The larger center slot is for Thule's large headed t-nuts.



2



2a

To determine the length of the M6 x 1.0 pitch screw you need to mount an accessory, measure the thickness of the mounting foot and add 7.5mm for thread engagement in the t-nut. Round up the nearest available screw size and use washers under the screw head if too long to keep the screw from bottoming out in the t-slot.

Two slats can be used to mount a cargo box. The slats will keep the box lower than using load bars, helping to reduce wind noise. This vehicle has the Thule Sonic Alpine 633s box mounted with 4 M6 x 1.0 x 30mm long stainless socket head cap screws. The Thule Xadapt 10 kit replaces the standard AcuTight clamps allowing the bolted connection.



2b



3

Internal view of the Thule Xadapt10 being installed in the sonic box with a M6 x 1.0 x 30mm long screw.



3a

The vehicle below uses two Thule 594XT bike racks mounted directly to the slats to keep the profile low. The front uses a spacer (or washer) for bolt head clearance and the rear uses Thule Xadapt2 with a M6 x 1.0 x10mm long bolt and washer.



3b

This photo shows the front of the Thule 594XT bike rack mounted with a 1/4" spacer and 4 M6 x 1.0 x 15mm long stainless cap screws



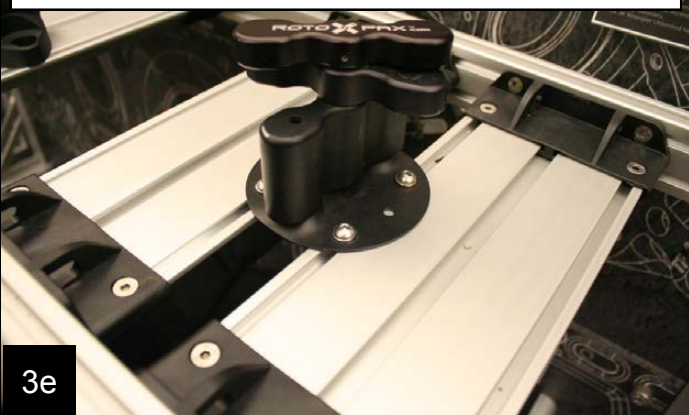
3c

This photo shows the Thule 594XT bike rack mounted in the rear with the Thule Xadapt2 mounted between two slats for correct spacing. Two M16 x 1.0 x 12mm long stainless screws with a M6 washer are used to fasten it to the slat.



3d

the bolt spacing for an accessory mount does not match the spacing in the slat, the gap between two slats can be adjusted for the correct spacing. Below is a Rotopax accessory mounted between 2 slats.



3e

Below is a Quick Fist mount installed with a M6 x1.0 x 22mm long bolt with a washer under the head to avoid bottoming out.



3f

This photo shows how an existing M6 eyelet can be easily mounted with the slat kit



3g

This Tepui Roof top tent is set up with tent support bars running across the vehicle. The tent is laid directly on the roof rack rails and bolted with the Tepui hardware, except for using M8 x1.25 x 70mm long hex bolts for the taller rails.



3h

The molded in hooks are meant to secure light loads do not use a ratchet strap as over tightening will cause damage.



3i

Many aftermarket crossbars/ load bars will fit around the main rail, allowing various carriers to be mounted. Shown is a Thule AreroBlade with the 450R Rapid Crossroad Foot Pack.



3j

## **PRODUCT INFORMATION**

### **MAINTENANCE INFORMATION:**

It is the buyer's responsibility to have all suspension, drivetrain, steering, and other components checked for proper tightness and torque after the first 100 miles and every 3000 miles after that.

### **NOTICE TO INSTALLER:**

The enclosed "Warning to Driver" sticker must be installed in the vehicle in driver's view. This sticker is to act as a constant safety reminder when operating the vehicle. It is your responsibility as the equipment installer to install the provided sticker and to forward the product instructions to the vehicle's owner for review. If a "Warning to Driver" sticker or product installation guide were not included in the kit, FREE replacement stickers and instructions are available by request. It is the installer's duty to ensure a safe and controllable vehicle after the modifications have been performed.

### **WARNING:**

Neither the seller nor the manufacturer will be liable for any loss, damage, or injury directly or indirectly arising from the use of or inability to determine the use of these products. Before using, the user shall determine the suitability of the products for its intended use, and the user shall assume all responsibility and risk in connection therewith.

### **WARNING TO DRIVER:**

This vehicle has been modified to enhance off road performance and has unique handling characteristics. Use in harsh environments can cause extreme stress on the components. Vehicle should be inspected after being off road to make sure that all the components are in working order and safe to travel on the highway. All fasteners should be checked so that they are at the correct torque specifications as the vibration and stresses from off roading may cause critical fasteners to work loose. Extra care should be taken to inspect the critical components, steering, and brake systems. During each oil change components such as arms, tie rod ends, etc should be greased and checked for excessive wear. Any worn components should be replaced. When returning to the pavement always set or restore tire air pressure to the factory recommendation and connect or engage any disabled sway bar mechanisms. Because of the higher center of gravity and larger tires, this vehicle handles and reacts differently than many passenger cars, both on and off road. You must drive it safely! Extreme care should be taken to prevent vehicle rollover or loss of control, which can result in serious injury or death. Avoid sudden sharp turns or abrupt maneuvers. Generally, braking performance and capabilities are decreased when significantly larger/heavier tires are used, especially when used in combination with transfer case low-range reduction kits. Take this into consideration while driving. Do not add, alter or fabricate any factory or aftermarket parts to increase vehicle height over the intended height of the TeraFlex product purchased. Mixing component brand is not recommended. TeraFlex Inc. will not be responsible for any altered product or any improper installation or use of our products. We will be happy to answer any questions concerning the design, function, and correct use of our products. It is ultimately the buyer's responsibility to have all bolts/nuts checked for tightness after the first 100 miles and then every 3000 miles. Wheel alignment, steering system, suspension and drive line systems must be inspected by a qualified professional mechanic at least every 3000 miles.