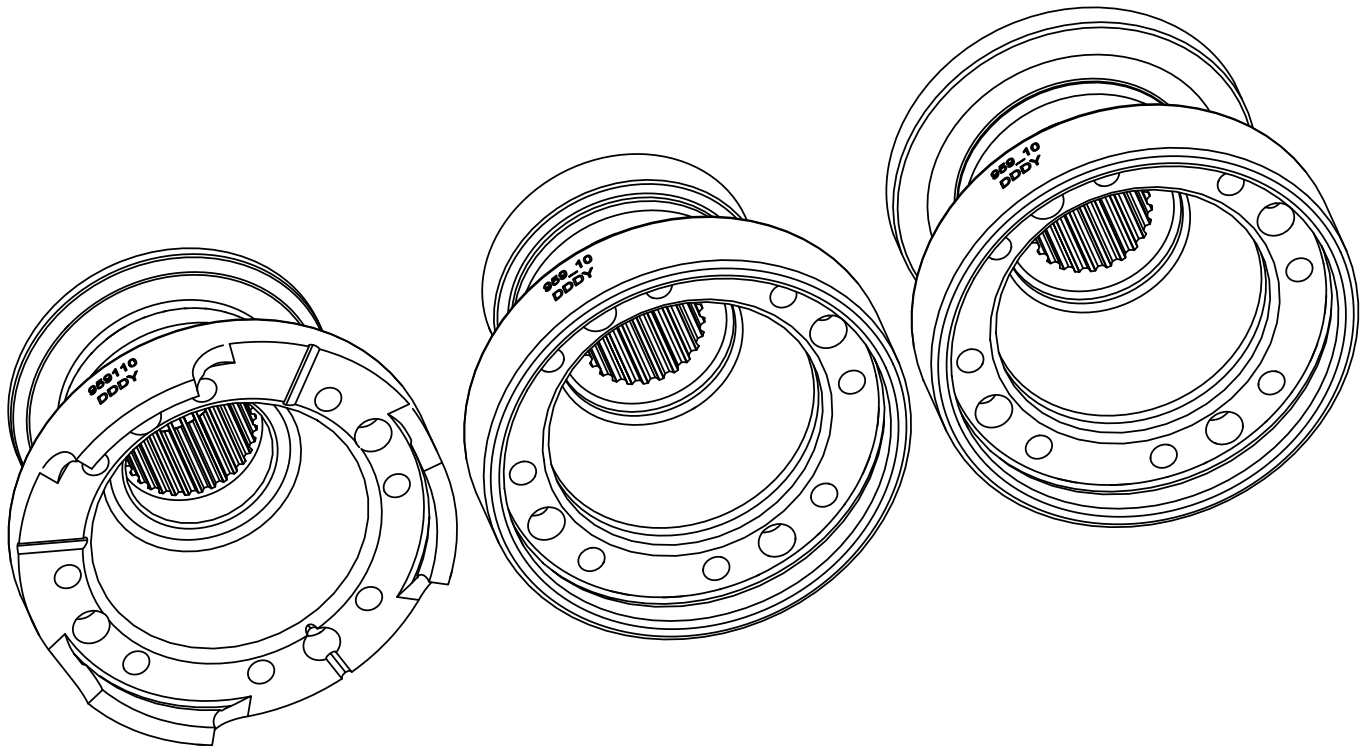




Rzeppa Replacement Driveline Yokes

#1959110 T-Case
 #1959210 Front
 #1959310 Rear



Important Notes:

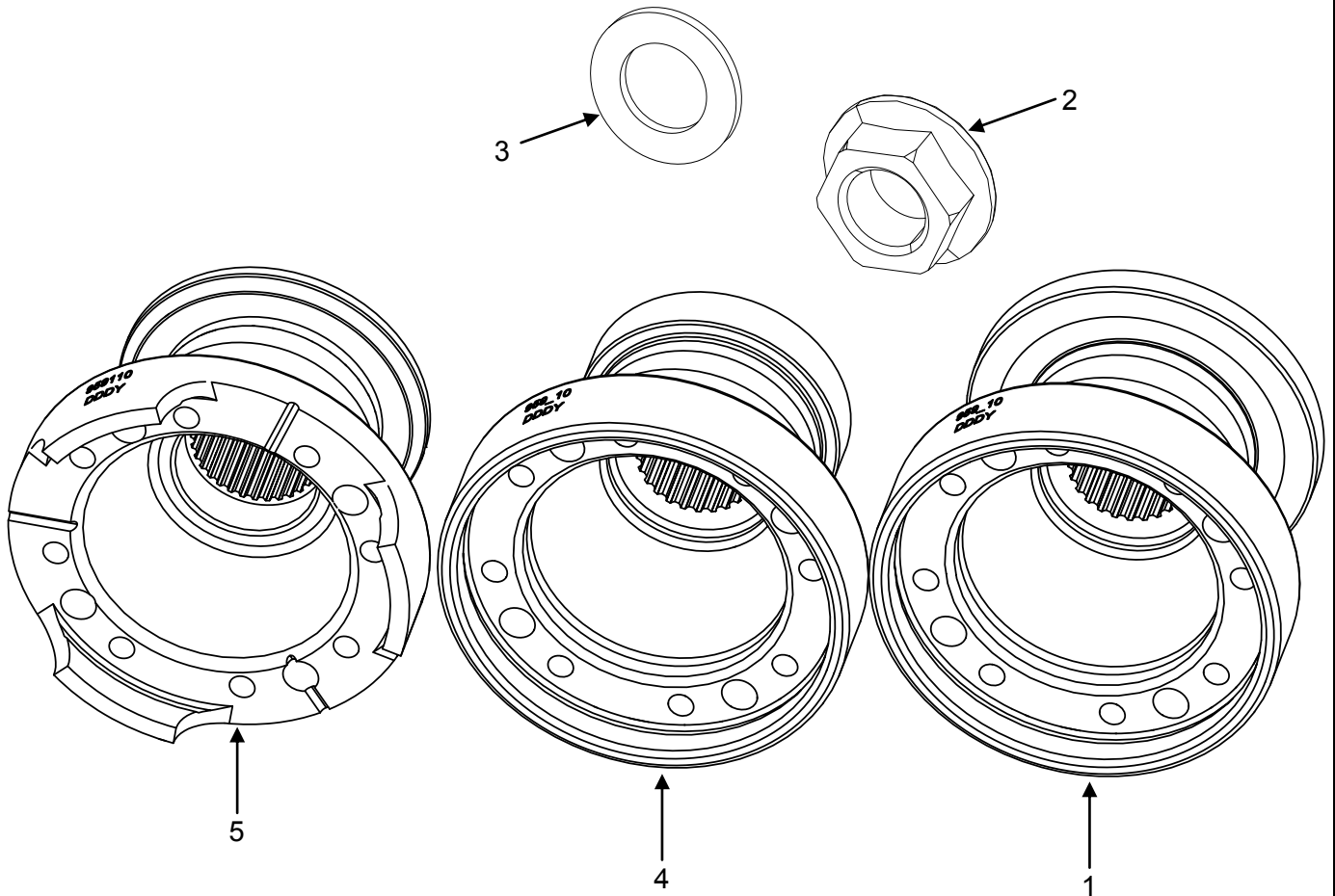
Prior to beginning this or any installation read these instructions to familiarize yourself with the required steps and evaluate if you are experienced and capable to personally perform these modifications. A factory service manual should be used in conjunction with these installation instructions.

If you have replaced your drivelines with aftermarket U-Joint driveshafts, these yokes will be required to mate the new TeraFlex driveshafts to your axles and transfer case.

Refer to the parts list to ensure that all necessary components and hardware has been included. If any parts are missing please contact your local TeraFlex dealer for assistance.

Tools needed:

- This installation guide
- Basic mechanics tool set
- 1-1/8" Socket (Front Axle)
- 1-1/4" Socket (T-Case)
- 1-5/16" Socket (Rear Axle)



Parts List-1959310			
Item Number	Part Number	Description	Quantity
1	959310	Rzeppa CV Yoke w/Dust Shield JK Rear Axle	1
2	8581	Pinion Nut Rear	1
3	30275	Pinion Nut Washer	1

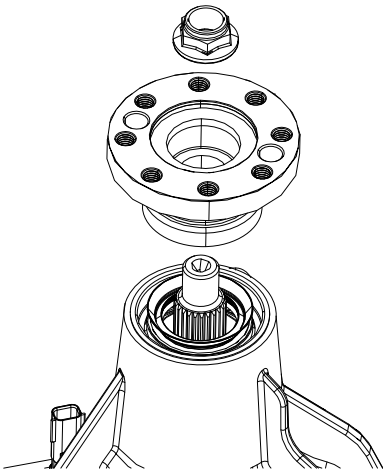
Parts List-1959210			
Item Number	Part Number	Description	Quantity
4	959210	Rzeppa CV Yoke w/Dust Shield JK Front Axle	1
2	11605	Pinion Nut Front	1

Parts List-1959110			
Item Number	Part Number	Description	Quantity
5	959110	Rzeppa CV Yoke Transfer Case Front/Rear	1

Raise and support the vehicle. Remove the wheels and tires. See the factory service manual for safe support locations.

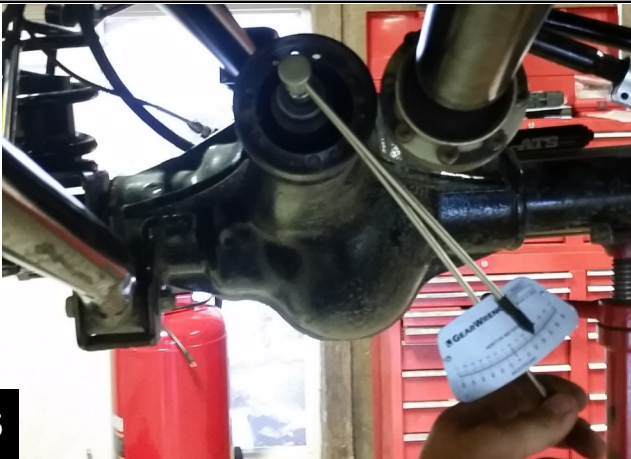
1

Remove the pinion nut with an 1-1/8" (Front) or 1-5/16" (Rear) socket. Remove the yoke.



3

Check the torque required to rotate the pinion and increase the pinion nut torque in 5 ft-lb increments until the torque required to rotate the pinion is back to the original measured value.



5

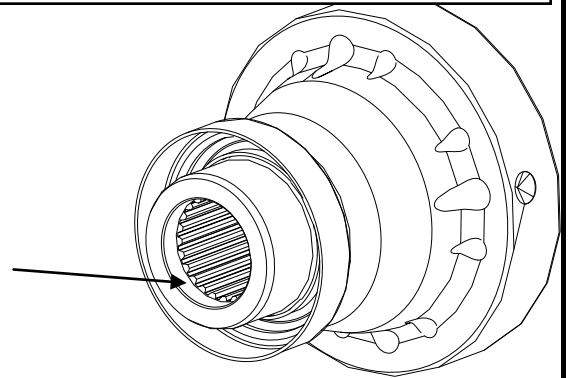
Axle Yoke

Remove the driveline. Use an inch-pound torque wrench and check the torque required to rotate the pinion. This sets an initial value that you can return to after installing the new yoke.



2

Apply a bead of silicone to the splines of the new yoke. Install the yoke onto the pinion. Apply red thread locking compound to the threads of the provided pinion nut and torque to 160 ft-lbs.



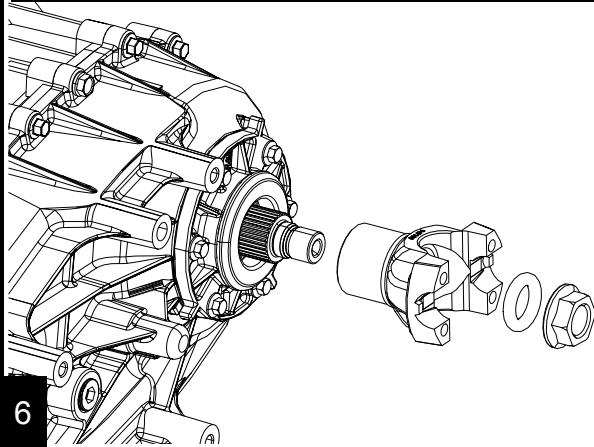
4

IMPORTANT NOTE

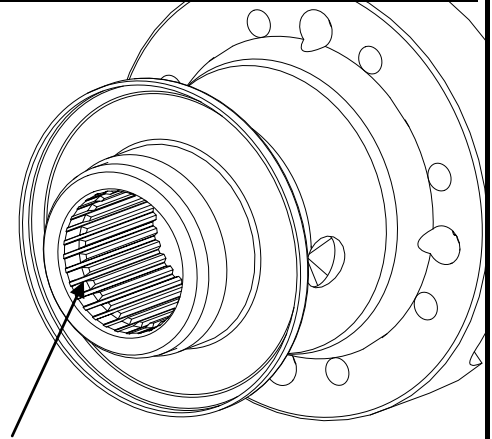
DO NOT exceed 200 ft-lbs, crush sleeve damage may occur. NEVER loosen the pinion nut to achieve proper pinion preload. If the crush sleeve is over crushed, you must reset the pinion preload with a new crush sleeve.

Transfer Case Yokes

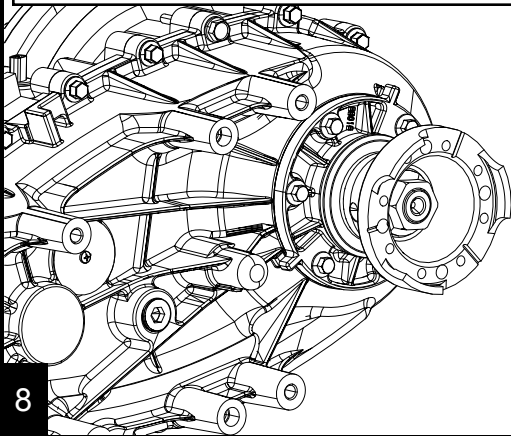
Using a 1-1/4" socket, remove the yoke nut and yoke. Some may require a puller to remove.



Apply a bead of silicone to the back side of the splines on the new yoke and install onto the output shaft.



Apply blue thread locking compound to the shaft threads and install the yoke. Reinstall the O-ring and torque the factory yoke nut. Front- 90-130 ft-lbs (122-176 Nm) Rear- 190-230 ft-lbs (258-312 Nm).



PRODUCT INFORMATION

MAINTENANCE INFORMATION:

It is the buyer's responsibility to have all suspension, drivetrain, steering, and other components checked for proper tightness and torque after the first 100 miles and every 3000 miles after that.

NOTICE TO INSTALLER:

The enclosed "Warning to Driver" sticker must be installed in the vehicle in driver's view. This sticker is to act as a constant safety reminder when operating the vehicle. It is your responsibility as the equipment installer to install the provided sticker and to forward the product instructions to the vehicle's owner for review. If a "Warning to Driver" sticker or product installation guide were not included in the kit, FREE replacement stickers and instructions are available by request. It is the installer's duty to ensure a safe and controllable vehicle after the modifications have been performed.

WARNING:

Neither the seller nor the manufacturer will be liable for any loss, damage, or injury directly or indirectly arising from the use of or inability to determine the use of these products. Before using, the user shall determine the suitability of the products for its intended use, and the user shall assume all responsibility and risk in connection therewith.

WARNING TO DRIVER:

This vehicle has been modified to enhance off road performance and has unique handling characteristics. Use in harsh environments can cause extreme stress on the components. Vehicle should be inspected after being off road to make sure that all the components are in working order and safe to travel on the highway. All fasteners should be checked so that they are at the correct torque specifications as the vibration and stresses from off roading may cause critical fasteners to work loose. Extra care should be taken to inspect the critical components, steering, and brake systems. During each oil change components such as arms, tie rod ends, etc should be greased and checked for excessive wear. Any worn components should be replaced. When returning to the pavement always set or restore tire air pressure to the factory recommendation and connect or engage any disabled sway bar mechanisms. Because of the higher center of gravity and larger tires, this vehicle handles and reacts differently than many passenger cars, both on and off road. You must drive it safely! Extreme care should be taken to prevent vehicle rollover or loss of control, which can result in serious injury or death. Avoid sudden sharp turns or abrupt maneuvers. Generally, braking performance and capabilities are decreased when significantly larger/heavier tires are used, especially when used in combination with transfer case low-range reduction kits. Take this into consideration while driving. Do not add, alter or fabricate any factory or aftermarket parts to increase vehicle height over the intended height of the TeraFlex product purchased. Mixing component brand is not recommended. TeraFlex Inc. will not be responsible for any altered product or any improper installation or use of our products. We will be happy to answer any questions concerning the design, function, and correct use of our products. It is ultimately the buyer's responsibility to have all bolts/nuts checked for tightness after the first 100 miles and then every 3000 miles. Wheel alignment, steering system, suspension and drive line systems must be inspected by a qualified professional mechanic at least every 3000 miles.