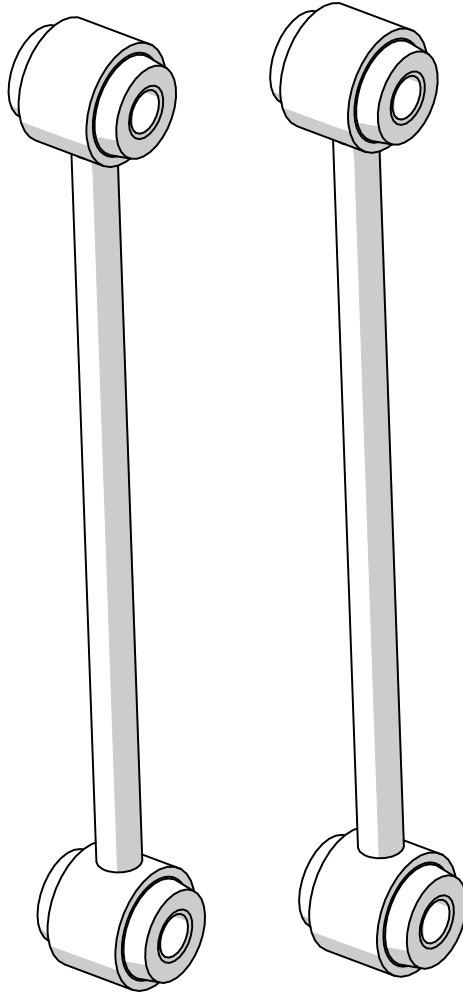




TJ Rear Sway Bar Link Instructions

Kit #1944011



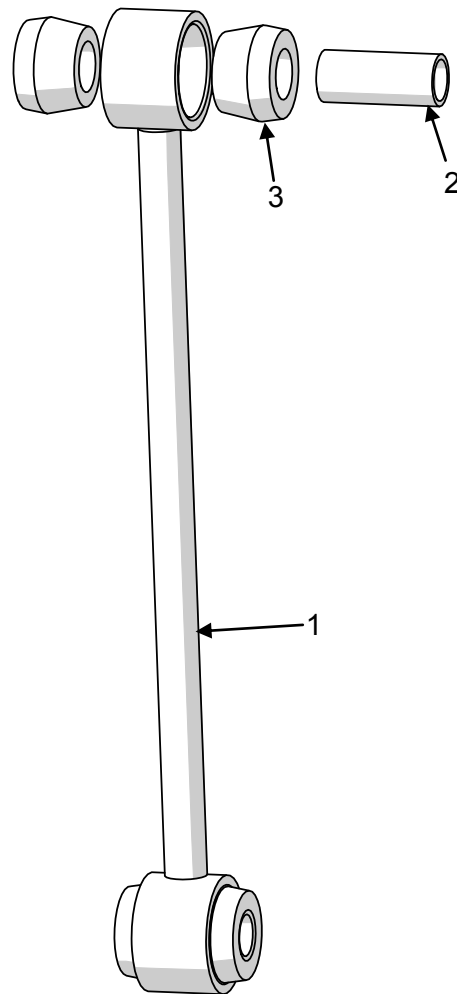
Important Notes:

Prior to beginning this or any installation read these instructions to familiarize yourself with the required steps and evaluate if you are experienced and capable to personally perform these modifications. A factory service manual should be used in conjunction with these installation instructions.

Refer to the parts list to ensure that all necessary components and hardware has been included. If any parts are missing please contact your local TeraFlex dealer for assistance.

Tools needed:

- This installation guide
- Basic mechanics tool set



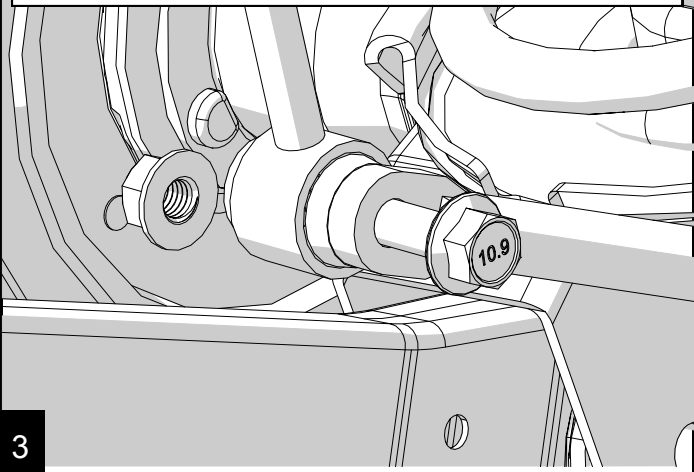
Parts List			
Item Number	Part Number	Description	Quantity
1	314	TJ Rear Sway Bar Link	2
2	45	TJ Rear Sway Bar Link Bushing Sleeve	4
3	600442	TJ Rear Sway Bar Link Bushing Half	8

REMOVAL

This install can be performed with the vehicle on the ground.

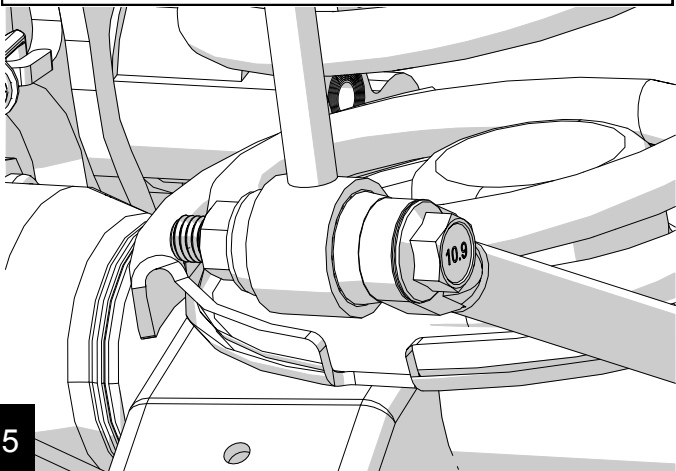
1

Remove the lowers with an 18mm and a 15mm. Repeat on other side.



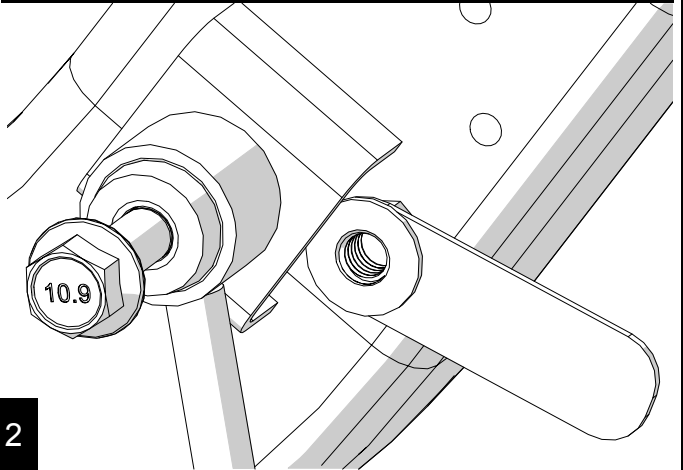
3

Install the lower end of the new link on the sway bar. Torque to 40 ft-lbs.



5

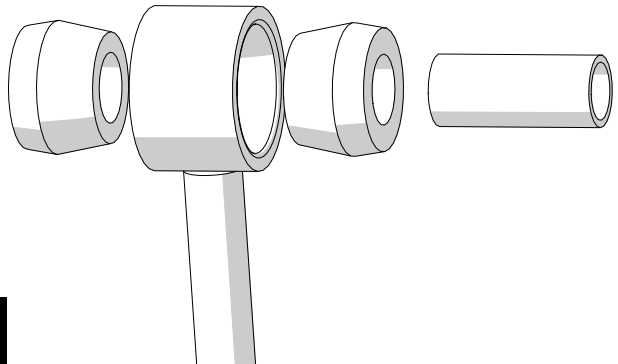
Remove the upper side of the link with an 18mm. The nut is a flag nut.



2

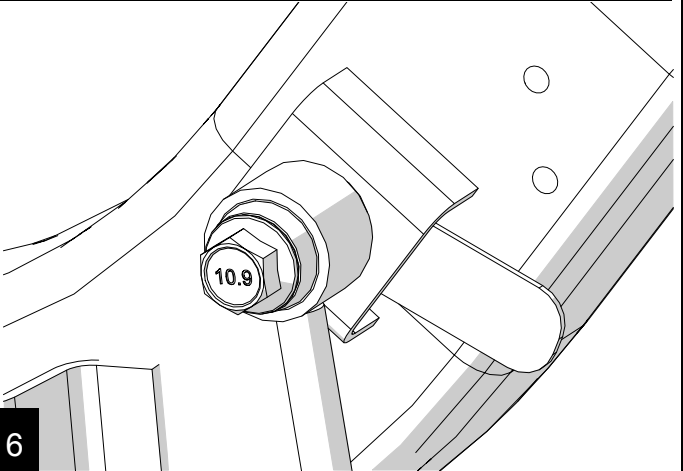
INSTALLATION

Assemble the links and bushings. Slide the bushing halves into the eyelet then install the sleeve into the bushings..



4

Install the upper end of the new link onto the frame. Torque to 40 ft-lbs. Repeat on other side.



6