

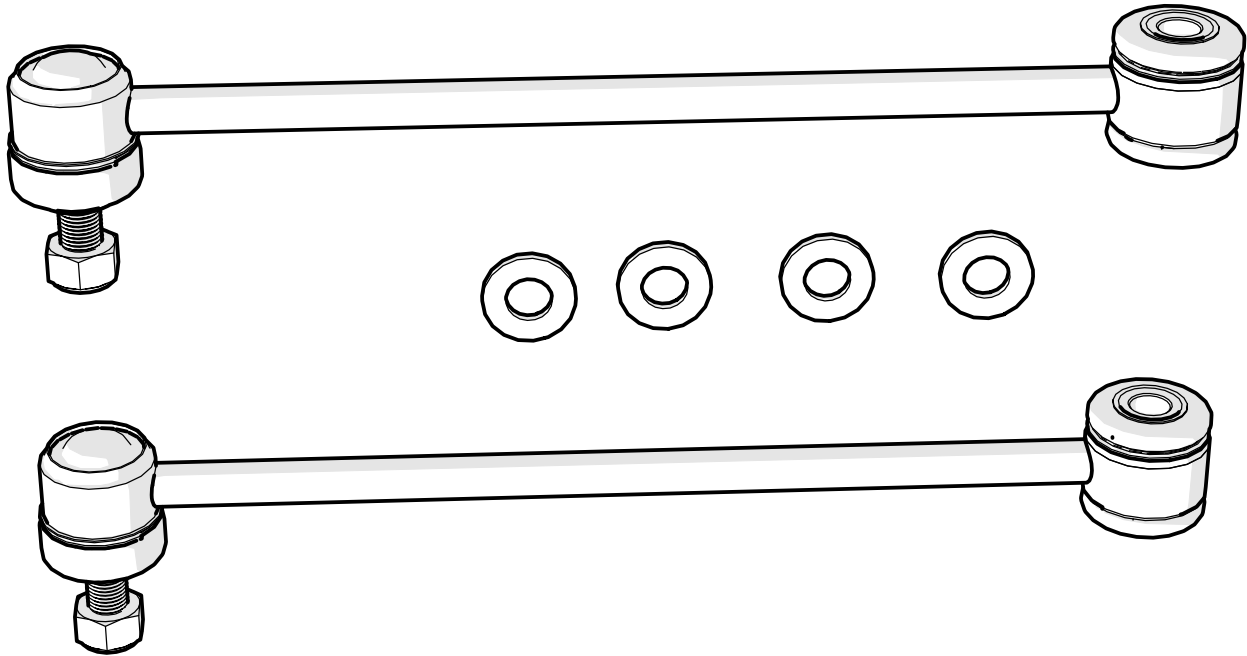


## JK 3"-4" Rear Swivel Stud Sway Bar Link Kit

Kit #1744500 (for 2.5")

Kit #1754500 (for 3" - 4")

Kit #1754410 (for 6")



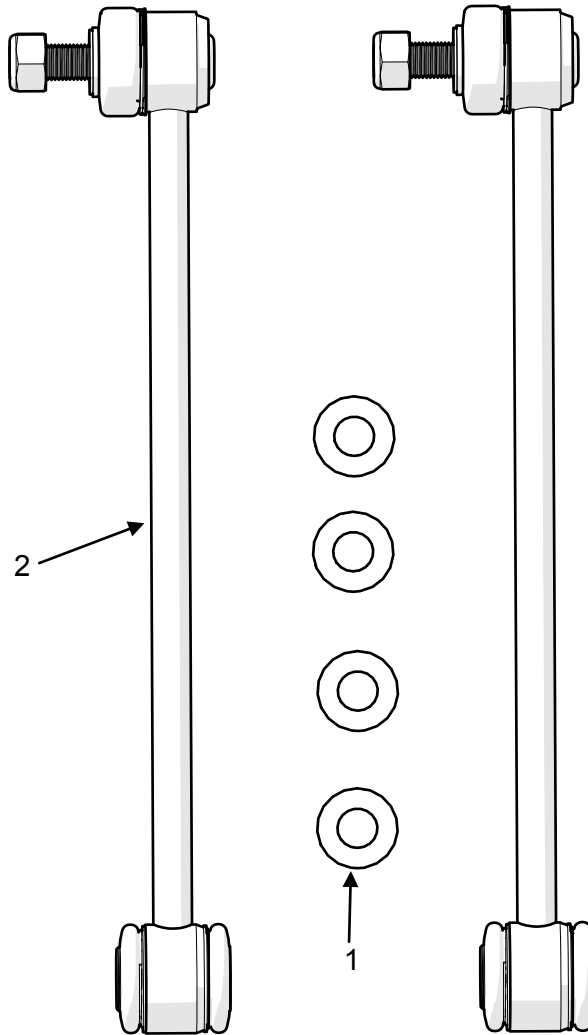
### Important Notes:

Prior to beginning this or any installation read these instructions to familiarize yourself with the required steps and evaluate if you are experienced and capable to personally perform these modifications. A factory service manual should be used in conjunction with these installation instructions.

Refer to the parts list to ensure that all necessary components and hardware has been included. If any parts are missing please contact your local TeraFlex dealer for assistance.

### Tools needed:

- This installation guide
- 6mm Allen Wrench
- 18mm Box Wrench
- 18mm Socket
- 19mm End Wrench
- Ratchet

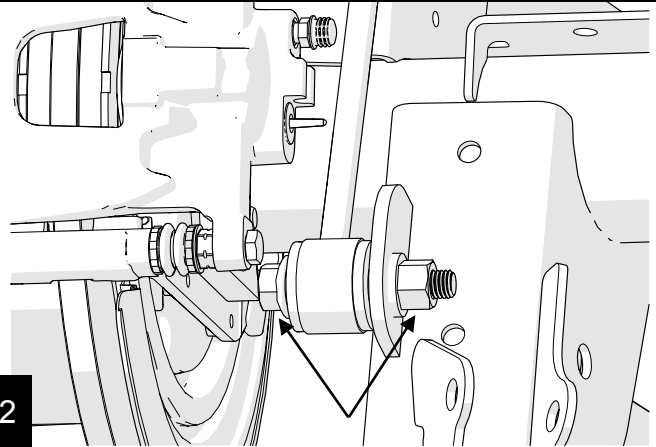


Parts List			
Item Number	Part Number	Description	Quantity
1	37	Washer 1/2" Flat Zinc Plated	4
2	744500	Sway Bar Link Rear 10.75" w/ Swivel Stud	2
	754500	Sway Bar Link Rear 12.25" w/ Swivel Stud	
	754420	Sway Bar Link Rear 14.75" w/ Swivel Stud	

Park the vehicle on a level surface and chock the front tires. Break the rear lug nuts loose with the vehicle on the ground but do not remove the nuts completely. Jack the rear of the vehicle off the ground and lower it onto jack stands. Remove the wheels.

1

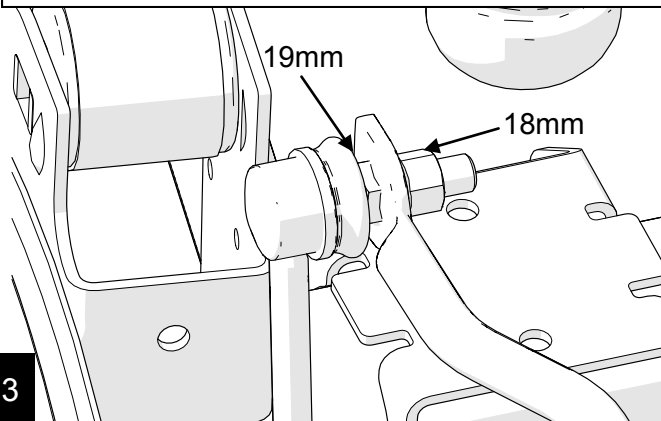
Using the 18mm socket and wrench, remove the bolt holding the factory link to the axle bracket.



2

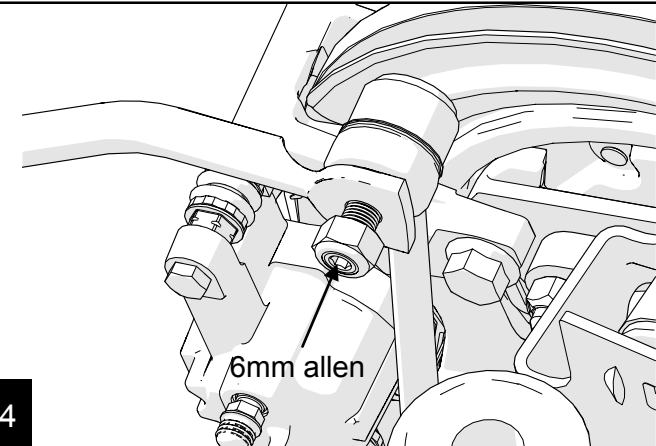
Using a 19mm wrench to hold the stud from turning and an 18mm to remove the nut, remove the link from the sway bar. Repeat steps 2 and 3 on other side.

3



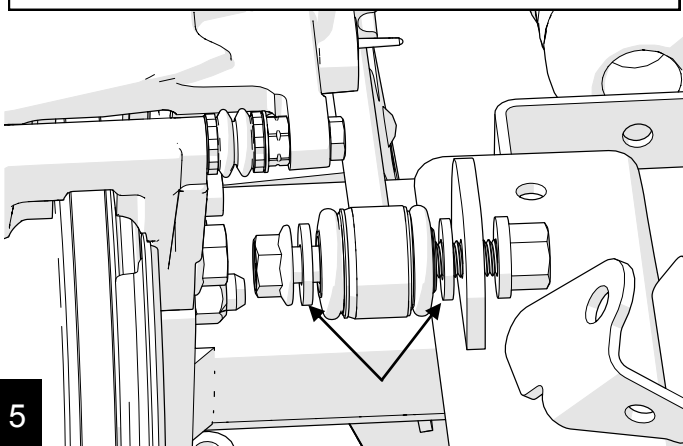
Install the swivel end of the link into the sway bar from the outside. Install the new lock nut using the 19mm end wrench and the 6mm allen wrench. Torque to 66 ft-lbs

4



Using the 18mm install the factory hardware and two provided washers on the lower end of the link. Place the washers on either side of the bushing. Torque to 75 ft-lbs.

5



Replace the wheels, torque to 110 ft-lbs. Remove supports, lower to the ground and remove the chocks.

6