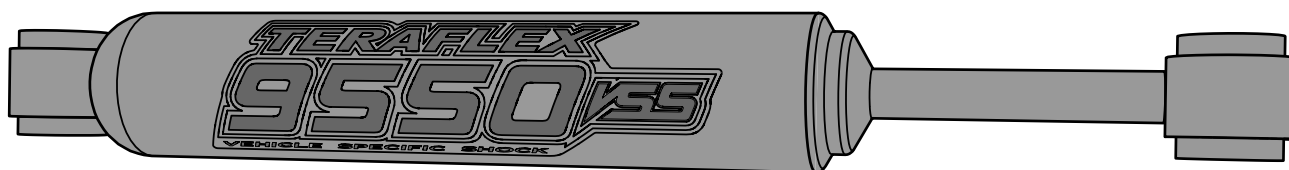




Jeep JL & JT 9550 Steering Stabilizer Kit Instructions

1514001



Important Notes:

Prior to beginning this install, or any installation, read the instructions thoroughly to familiarize yourself with the required steps. Evaluate if you are experienced and capable to personally perform these modifications. A factory service manual should be used in conjunction with these installation instructions.

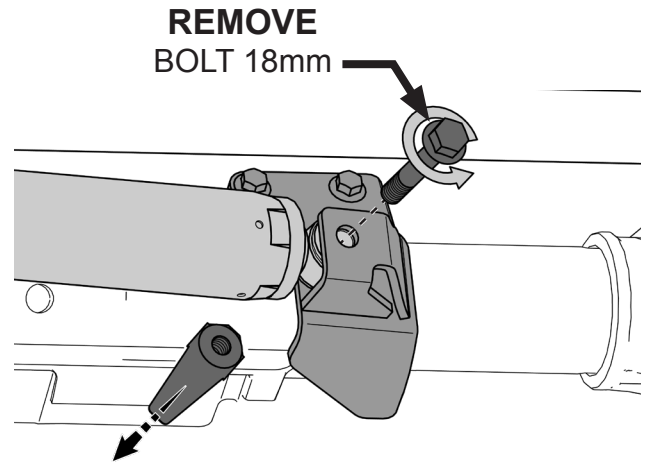
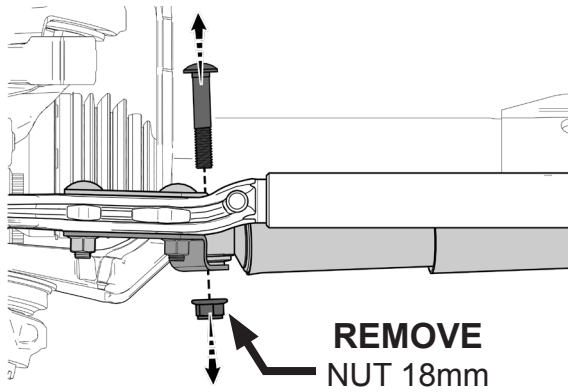
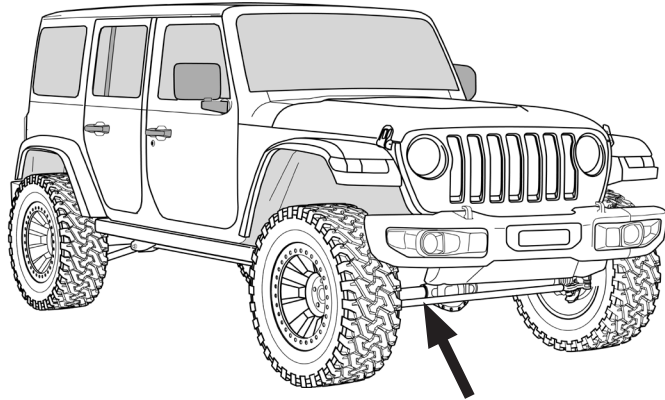
Refer to the parts list to ensure that all necessary components and hardware has been included. If any parts are missing please contact your local TeraFlex dealer for assistance.

When reinstalling OEM hardware, refer to the torque specs given in the Factory Service Manual

TOOLS NEEDED:

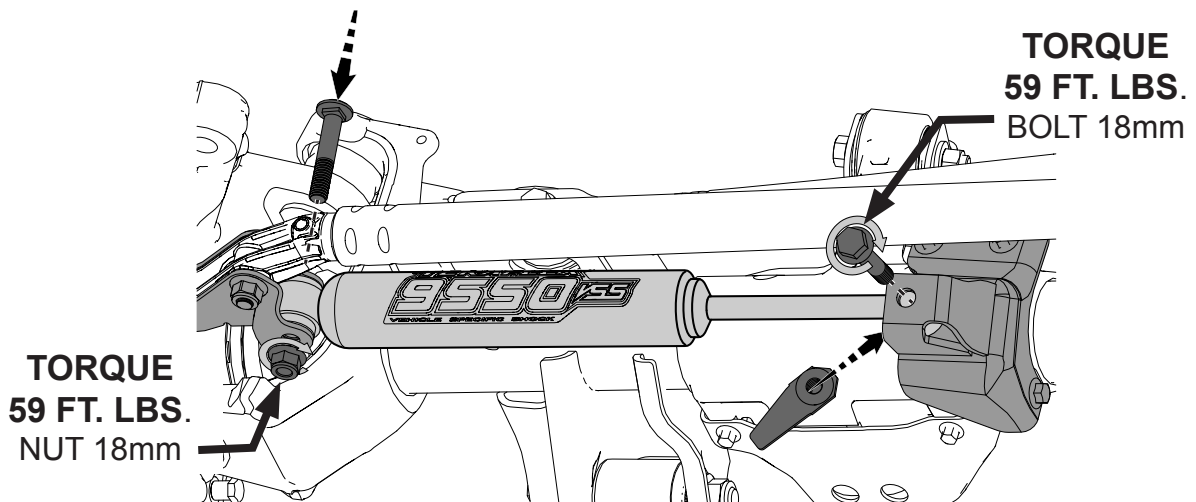
- Torque Wrench
- Factory Service Manual
- General Mechanics Tools

REMOVE FACTORY STEERING STABILIZER



1

INSTALL TERAFLEX STEERING STABILIZER WITH FACTORY HARDWARE



2

NOTE: CYCLE THE SUSPENSION AND STEERING TO CHECK FOR PROPER SHOCK BODY CLEARANCE AND TRAVEL