



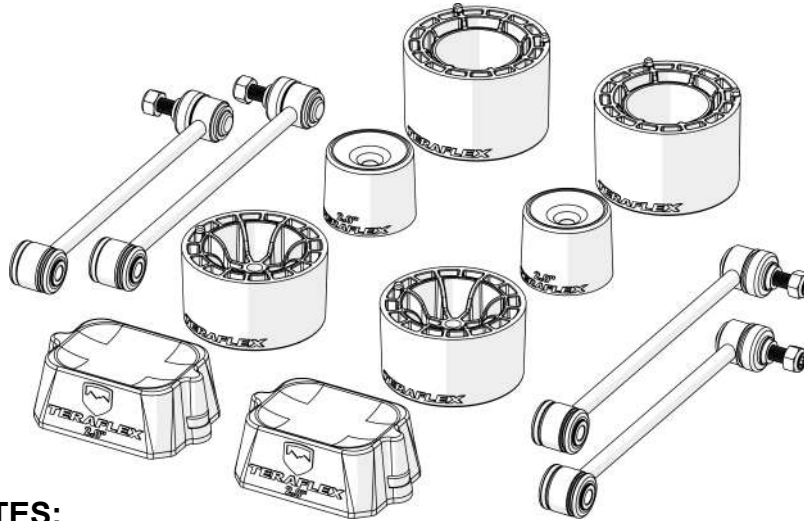
Jeep JL 2.5" Spacer Lift

Kit #1365200 - Jeep JL Wrangler, 4DR 2.5" Spacer Lift Kit (Sport/Sahara Edition)

Kit #1365300 - Jeep JL Wrangler, 2DR 2.5" Spacer Lift Kit (Sport/Sahara Edition)

Kit #1365210 - Jeep JL Wrangler, 4DR 2.5" Spacer Lift Kit (Rubicon Edition)

Kit #1365310 - Jeep JL Wrangler, 2DR 2.5" Spacer Lift Kit (Rubicon Edition)



IMPORTANT NOTES:

Prior to beginning this install, or any installation, *read the instructions thoroughly* to familiarize yourself with the required steps. Evaluate if you are experienced and capable to personally perform these modifications. A factory service manual should be used in conjunction with these installation instructions.

This product will change the highway handling characteristics of your vehicle, exercise caution. After altering the suspension it is always advisable to have an alignment done by a competent 4 wheel drive shop or by an alignment shop that is experienced with lifted 4 wheel drive vehicles.

Refer to the parts list to ensure that all necessary components and hardware has been included.

This kit is optimized to run 35" tires. If running 37" tires is desired Bumpstop Spacer Kit #1959300 can be purchased. Refer to page 13 of this guide for more information on the number of Bumpstop Spacers needed for your application.



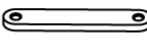







When tightening OEM control arm and track bar hardware refer to the torque specs given in the Factory Service Manual.

TOOLS NEEDED:

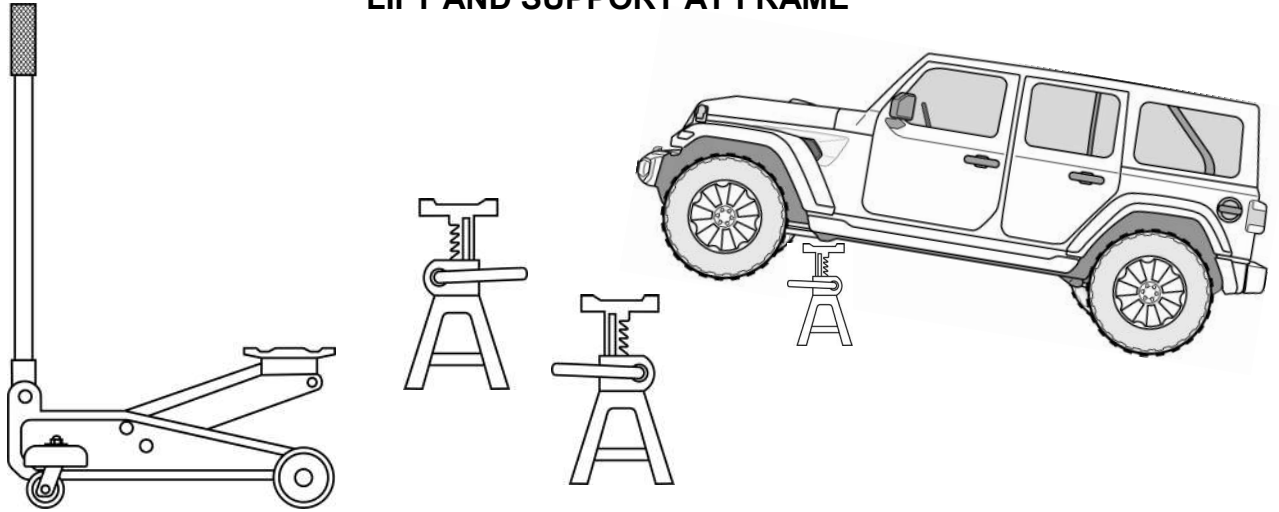
- Factory Service Manual
- Torque Wrench
- Basic Mechanics Tool Set
- Locking Pliers (2 Pairs)

MAINTENANCE INFORMATION:

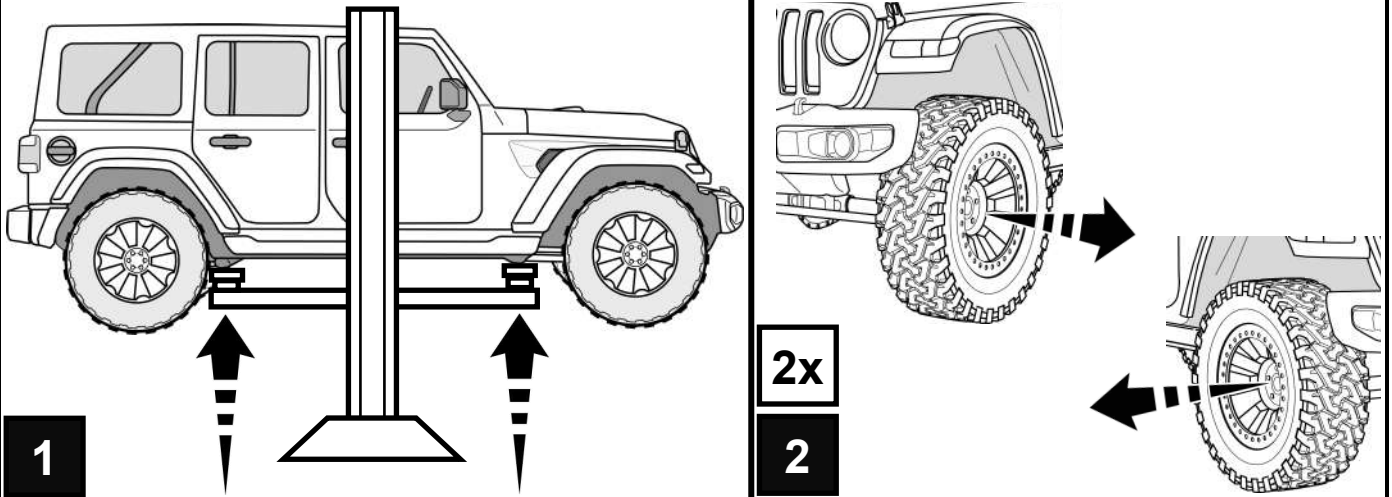
It is the buyer's responsibility to have all suspension, drivetrain, steering, and other components checked for proper tightness and torque after the first 300 miles and every 3000 miles after that.

Item #	Image	Description	Part No.	Sport / Sahara		Rubicon	
				2DR	4DR	2DR	4DR
1		Front Spring Spacer	05-01-109-300	-	2	-	2
			05-01-109-200	2	-	2	-
2		Rear Spring Spacer	05-01-209-250	2	2	2	2
3		Front Bumpstops	12-01-109-200	2	2	2	2
4		Rear Bumpstops	12-01-209-200	2	2	2	2
5		Rear Bumpstop Bracket	12-02-209-002	2	2	2	2
6		Rear Bumpstop Mounting Strap	12-02-209-001	2	2	2	2
7		Front Bumpstop Spacers	12-02-109-050	4	4	-	-
8		Rear Bumpstop Spacers	12-02-209-050	2	2	-	-
9		Front Swaybar Link 10.75"	744500	2	2	2	2
10		Rear Swaybar Link 11.50"	21-01-001-115	2	2	2	2
11		M10 x 1.5 Fuji Nut	23-07-03-001	6	6	6	6
12		M10 x 1.5 x 120mm Hex Cap Screw	45-01-003-005	2	2	2	2
13		M10 x 1.5 x 100mm Flat Socket Cap Screw	45-04-003-001	2	2	2	2
14		M10 x 1.5 x 50mm Socket Cap Screw	45-03-003-001	4	4	4	4
15		M10 x 1.5 x 25mm Button Socket Cap Screw	45-05-003-003	4	4	4	4
16		M10 Flat Washer	45-10-003-001	2	2	2	2
17		M10 Lock Washer	45-12-002-001	4	4	4	4
18		M10 Slotted Washer	47-02-001-001	2	2	2	2
19		Nut Wrench Tool	600271	1	1	1	1
20		M12 x 1.75 x 55mm Button Socket Cap Screw	45-05-003-001	2	2	2	2
21		M12 x 1.75mm Black Fuji Nut	23-07-02-002	2	2	2	2

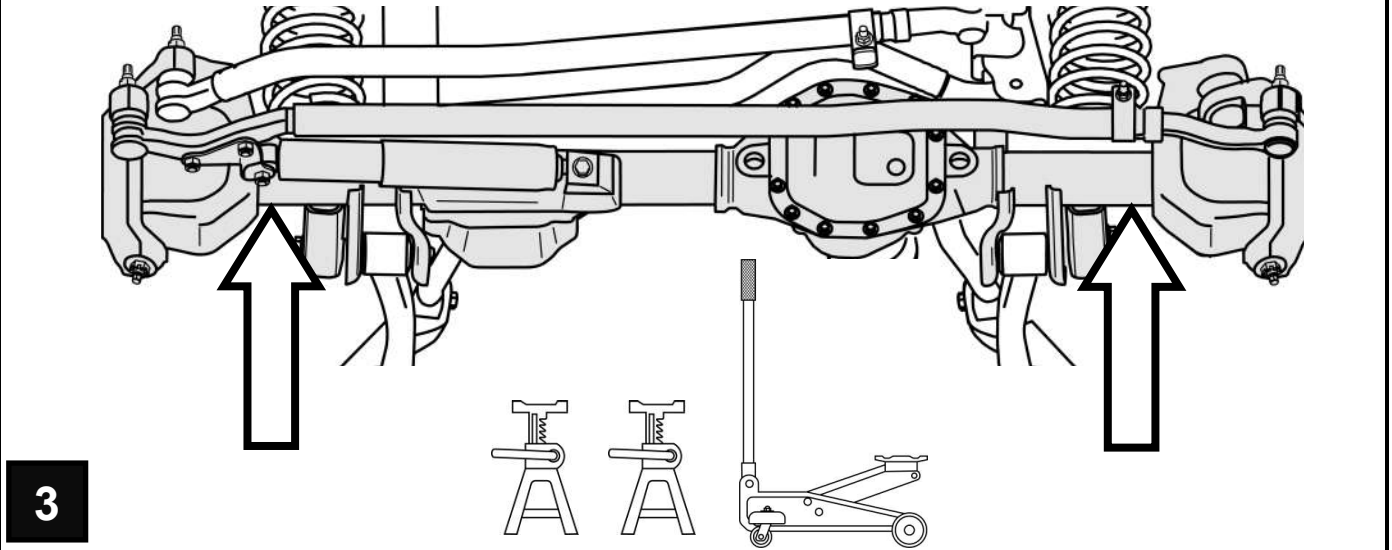
LIFT AND SUPPORT AT FRAME



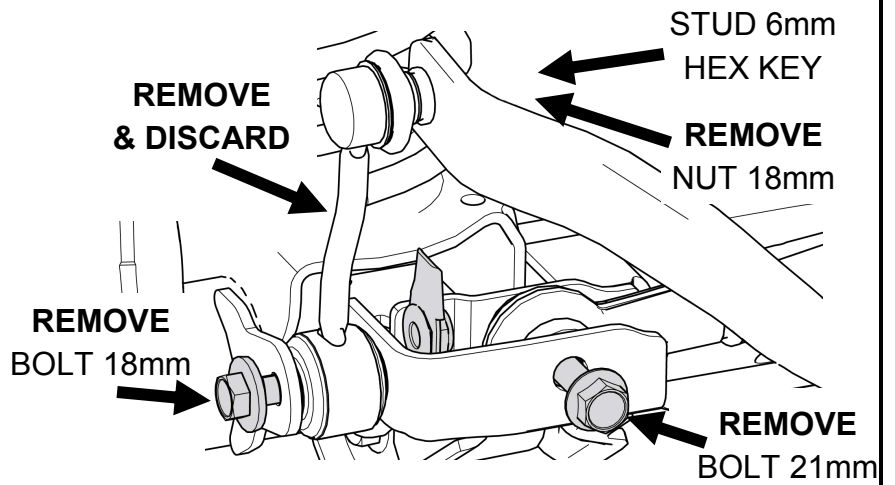
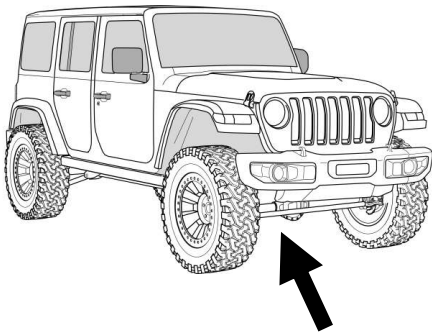
REMOVE TIRES AND WHEELS



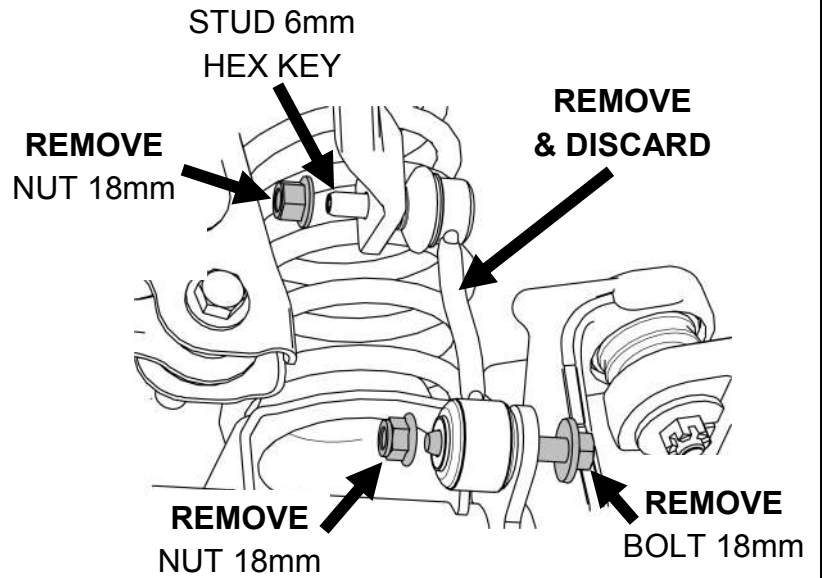
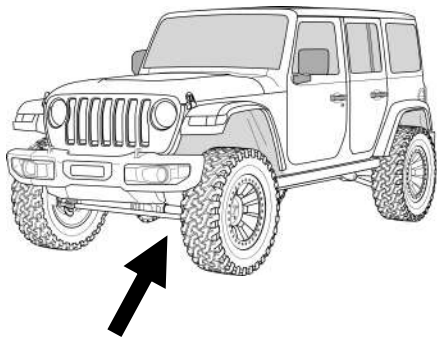
SUPPORT FRONT AXLE



REMOVE SWAY BAR LINK & REMOVE TRACK BAR AT AXLE

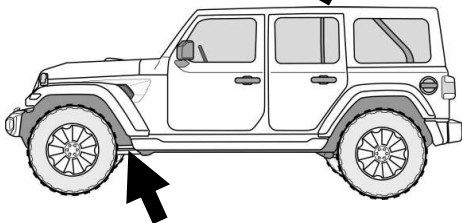
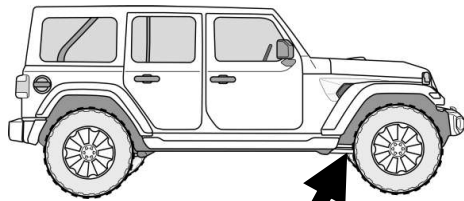


4



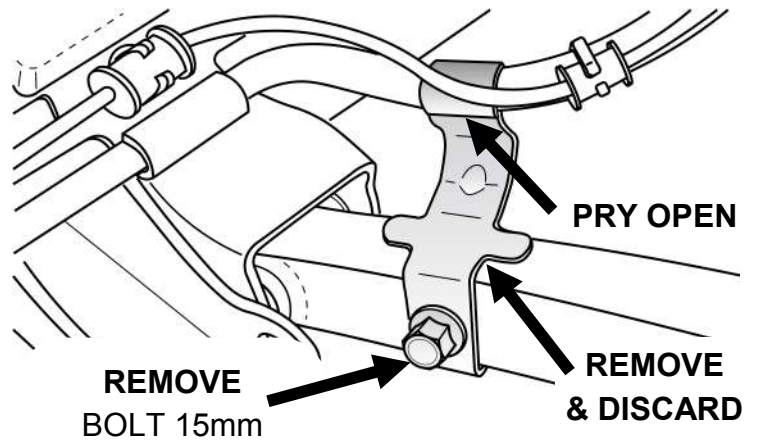
5

REMOVE AND DISCARD BRAKE LINE BRACKETS FROM LOWER CONTROL ARMS

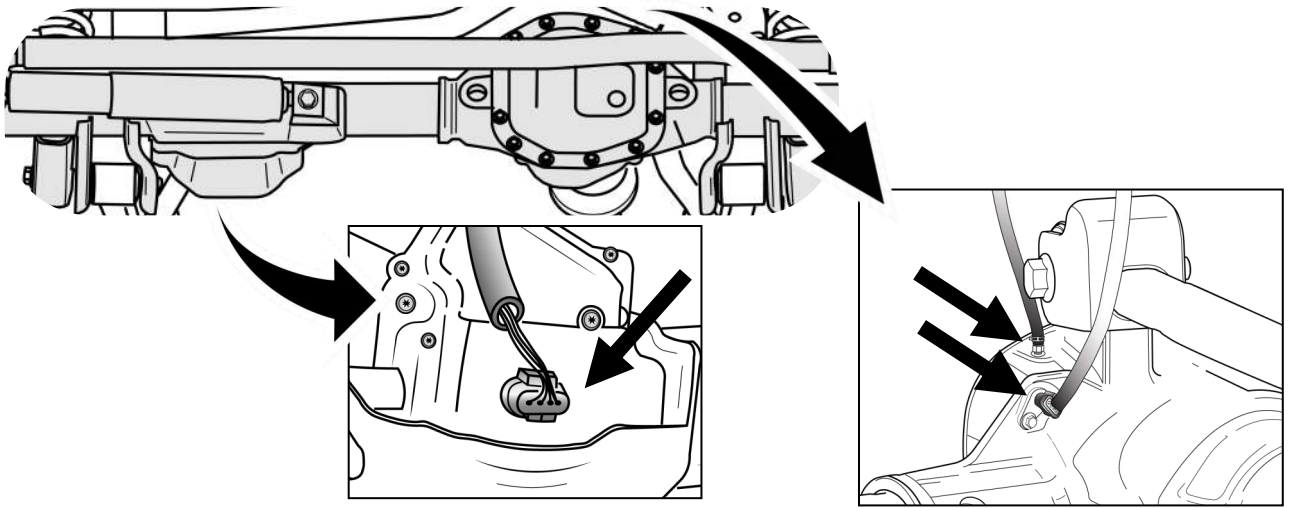


2x

6



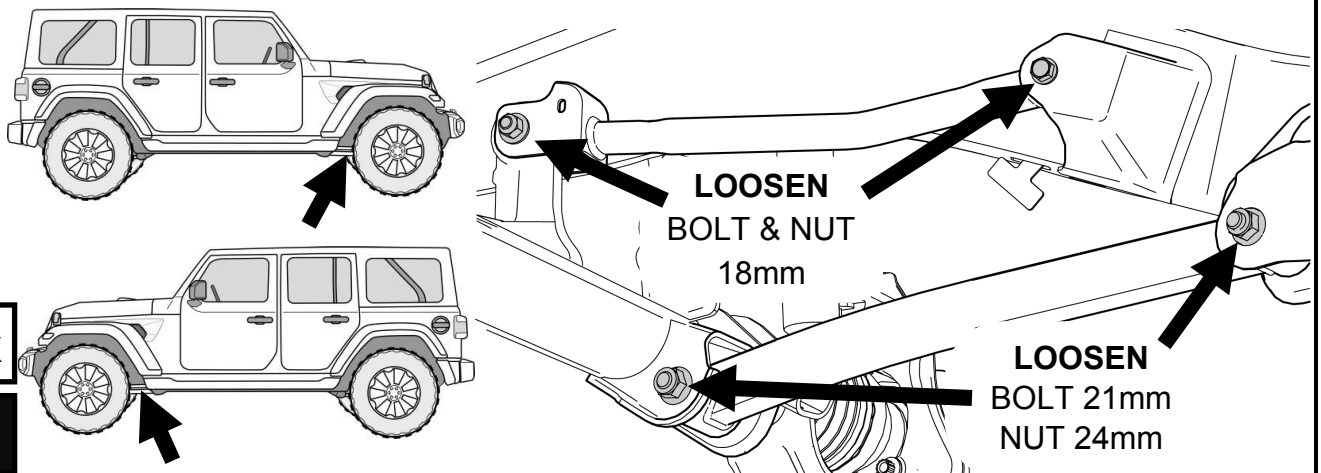
DISCONNECT ACTUATORS AND VENT HOSE AT THE FRONT AXLE



7

LOOSEN FRONT CONTROL ARM BOLTS

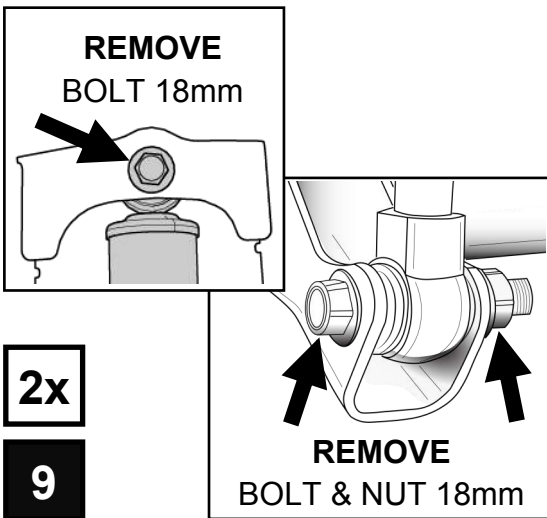
NOTE: DO NOT REMOVE THE CONTROL ARM BOLTS



2x

8

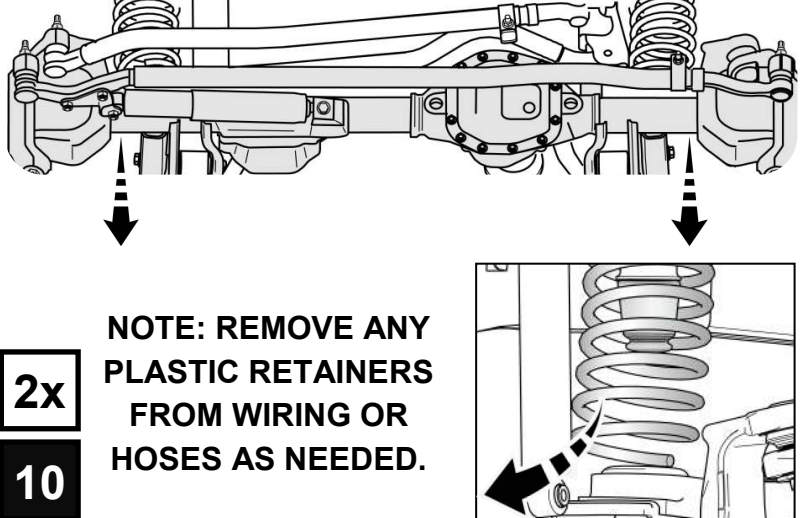
REMOVE SHOCKS



2x

9

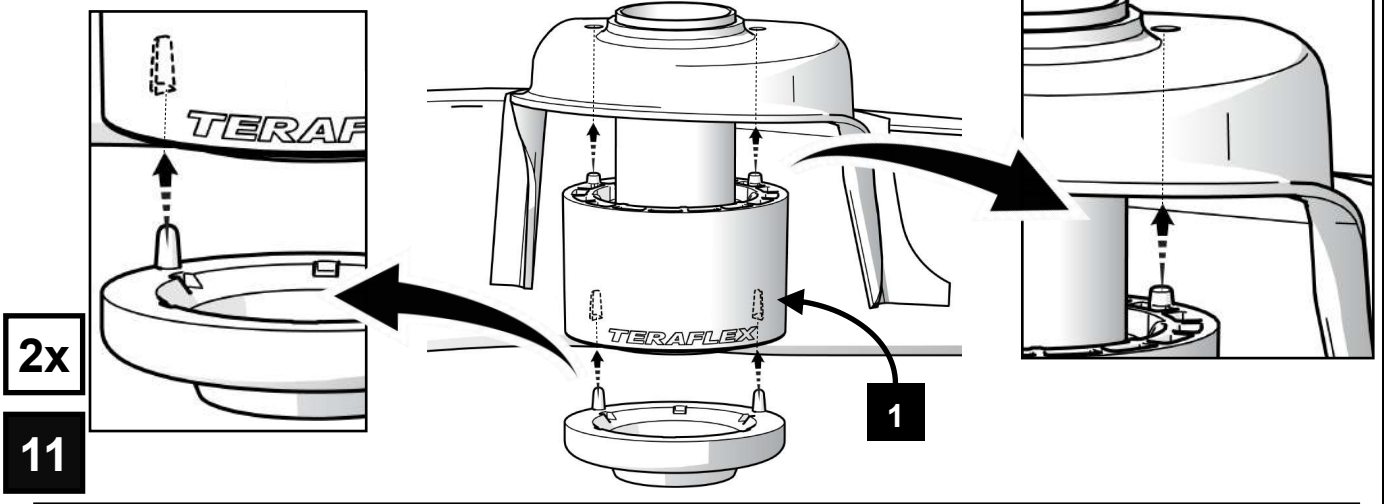
LOWER AXLE & REMOVE SPRINGS



2x

10

INSTALL SPRING SPACER AND FACTORY SPRING ISOLATOR ONTO JOUNCE TUBES

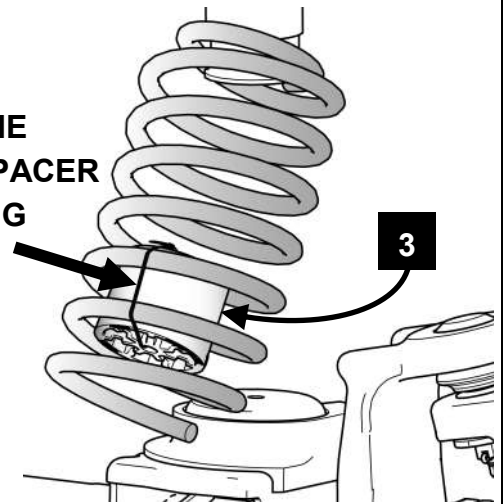


REINSTALL THE SPRINGS WITH LOWER BUMPSTOP SPACER INSIDE

NOTE: IF INSTALLING FALCON JOUNCE BUMPERS REFER TO INSTRUCTION #999308 BEFORE INSTALLING SPRINGS

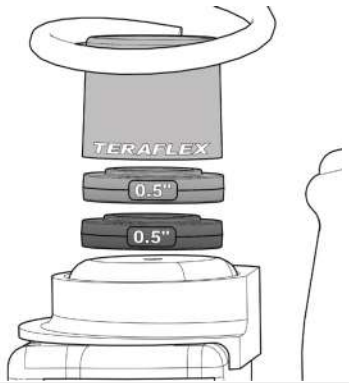


TIP: ZIP TIE BUMPSTOP SPACER TO SPRING

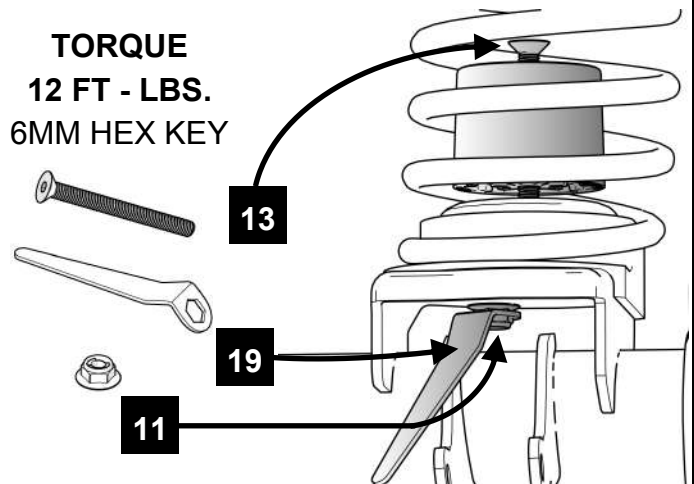


INSTALL BUMPSTOP TOP SPACER ONTO SPRING MOUNT

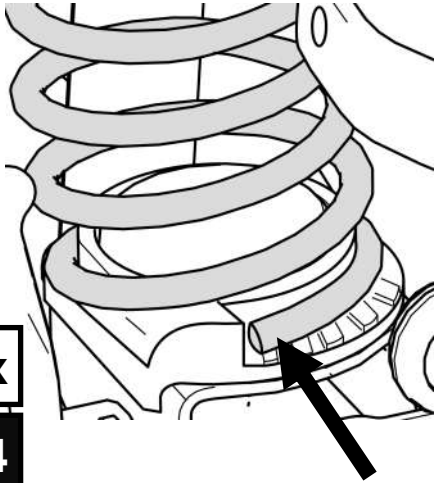
NOTE: REFER TO PAGE 14 FOR BUMPSTOP SPACER GUIDE



TORQUE 12 FT - LBS. 6MM HEX KEY



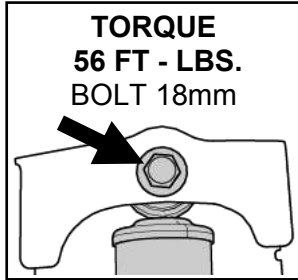
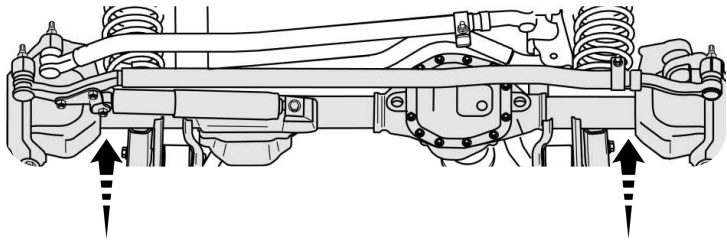
SEAT SPRINGS INTO LOWER SPRING ISOLATOR



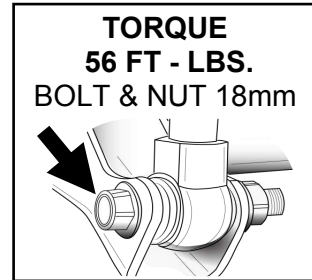
2x

14

RAISE AXLE & INSTALL REPLACEMENT SHOCKS

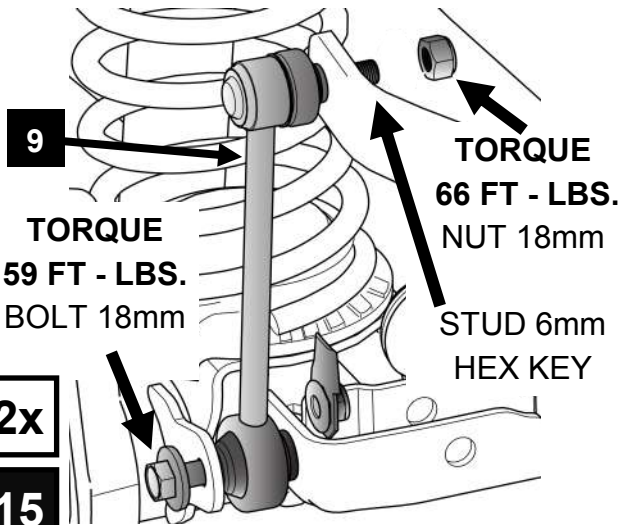


TORQUE
56 FT - LBS.
BOLT 18mm



TORQUE
56 FT - LBS.
BOLT & NUT 18mm

INSTALL NEW SWAY BAR LINKS



9

TORQUE
59 FT - LBS.
BOLT 18mm

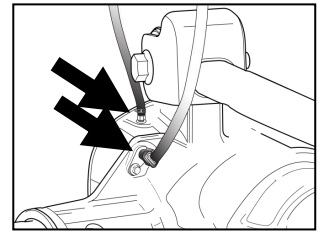
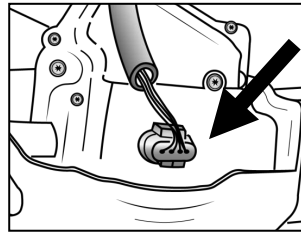
TORQUE
66 FT - LBS.
NUT 18mm

STUD 6mm
HEX KEY

2x

15

RECONNECT ACTUATORS AND VENT HOSE TO FRONT AXLE

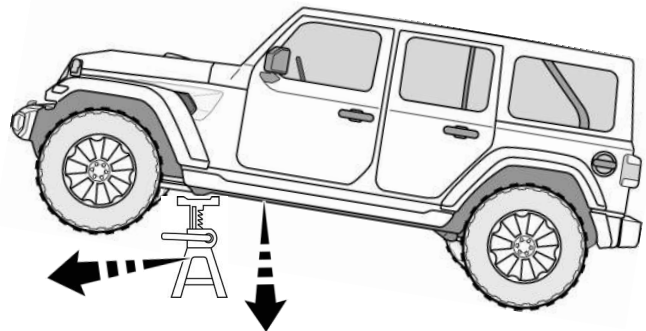
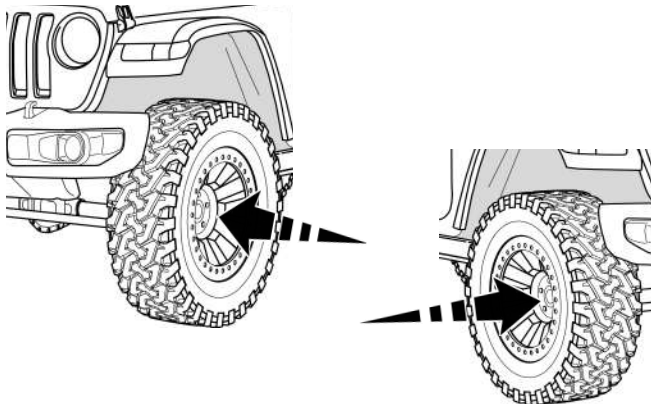


RECONNECT PLASTIC RETAINERS FROM WIRING OR HOSES AS NEEDED

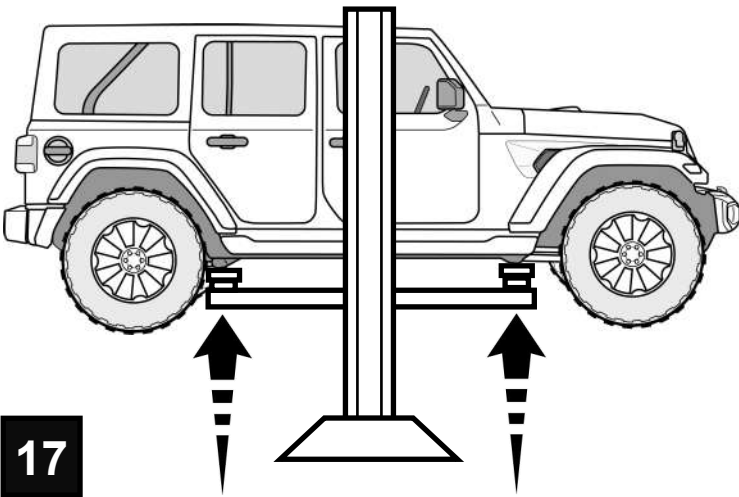
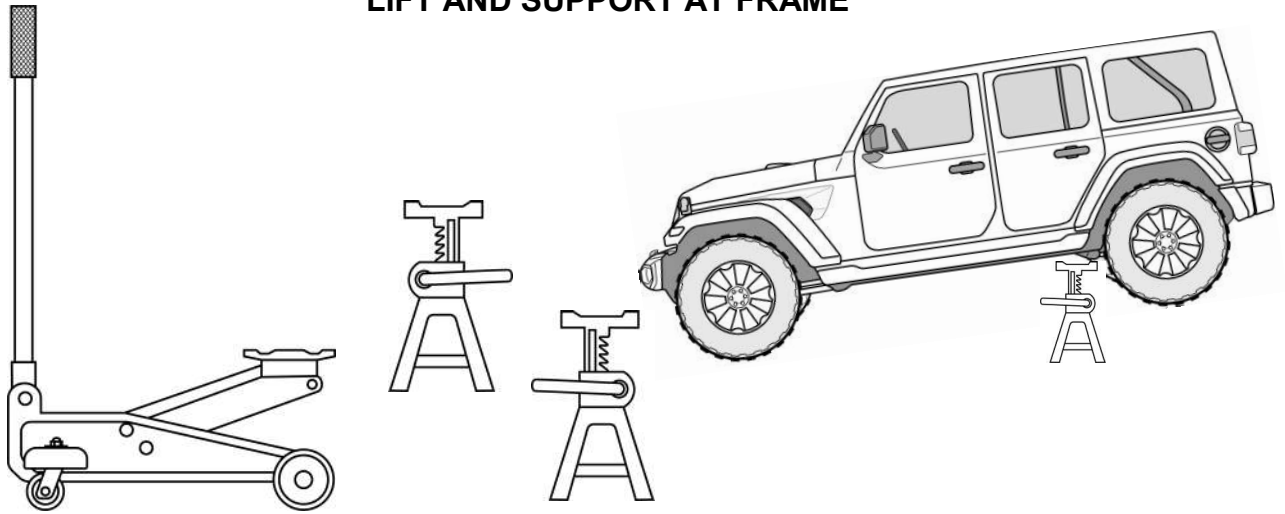
NOTE: DO NOT TIGHTEN THE CONTROL ARM BOLTS UNTIL THE JEEP IS ON THE GROUND

16

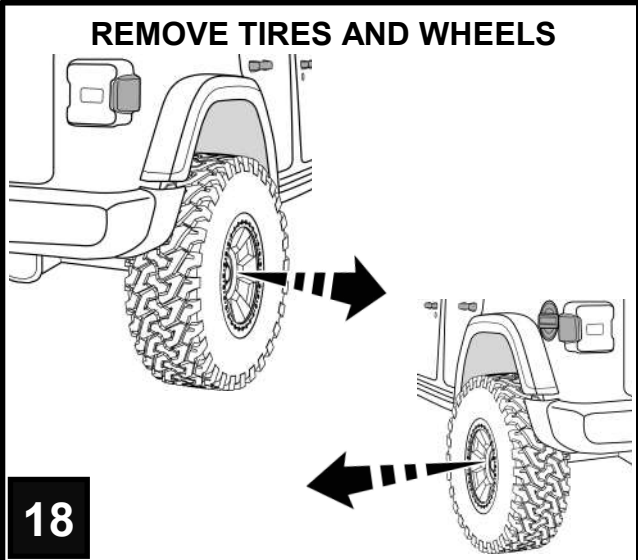
NOTE: IF ONLY FRONT OF JEEP WAS LIFTED REINSTALL TIRES & WHEELS AND LOWER JEEP BACK TO THE GROUND BEFORE LIFTING THE REAR



LIFT AND SUPPORT AT FRAME

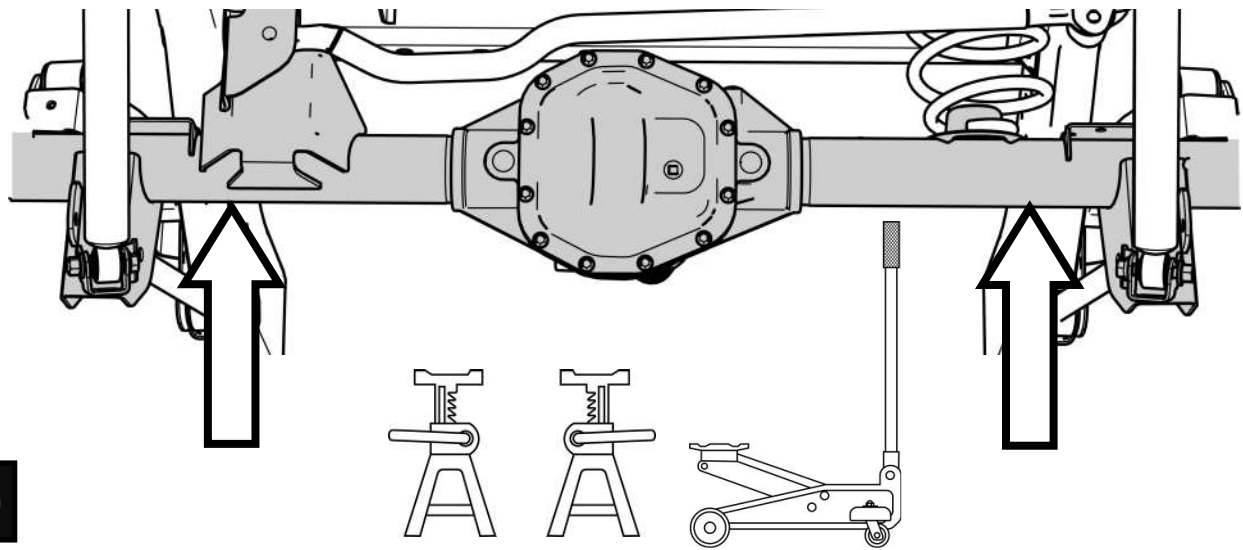


17



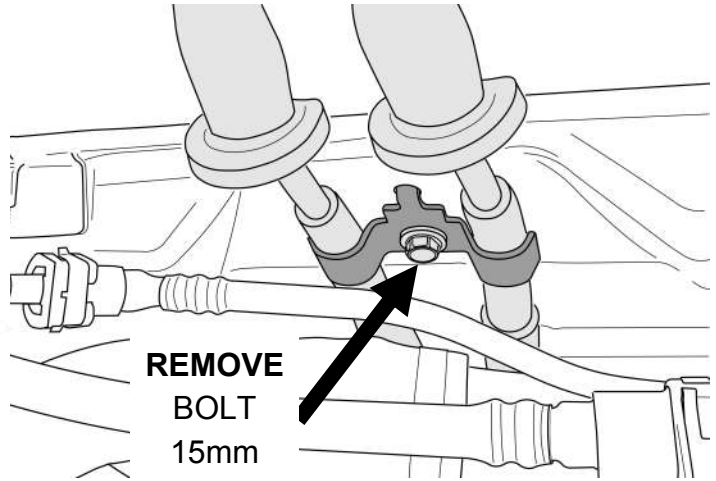
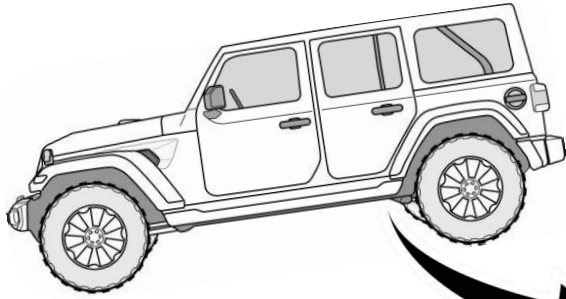
18

SUPPORT REAR AXLE



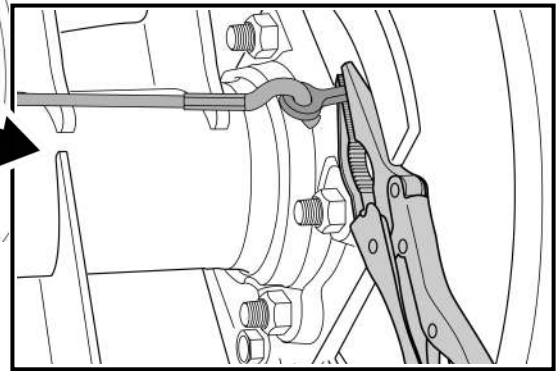
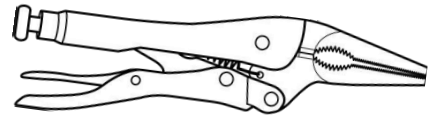
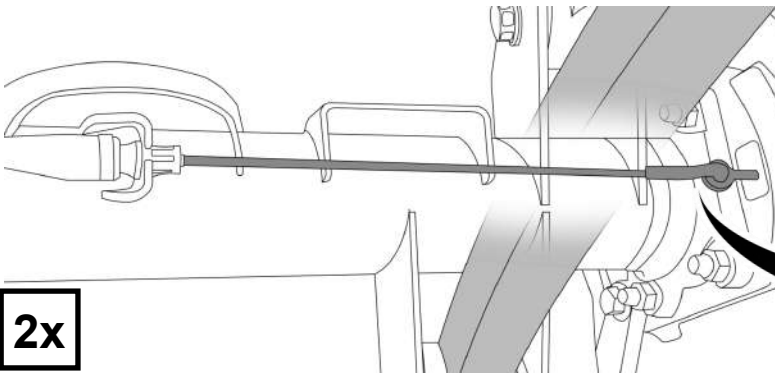
19

REMOVE E-BRAKE CABLE BRACKET AND DISCARD



20

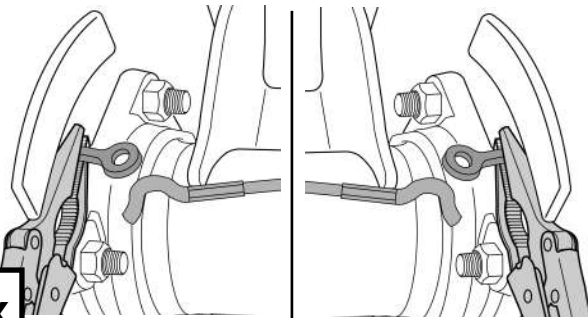
SET E-BRAKE AND CLAMP BOTH E-BRAKE EYELETS AGAINST BACKING PLATES WITH LOCKING PLIERS



2x

21

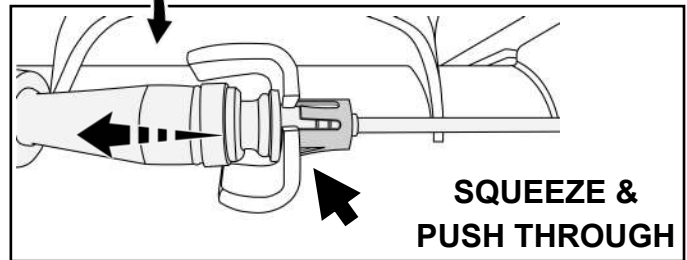
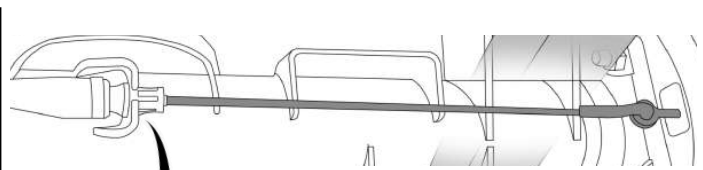
RELEASE E-BRAKE AND DISCONNECT CABLES FROM BOTH EYELETS AND AXLE BRACKETS



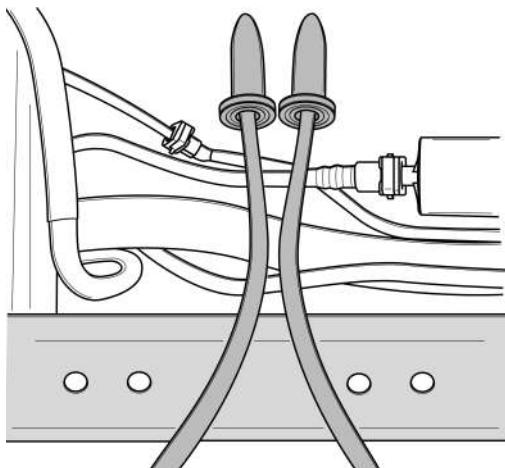
2x

22

NOTE: DO NOT REMOVE LOCKING PLIERS FROM E-BRAKE EYELET

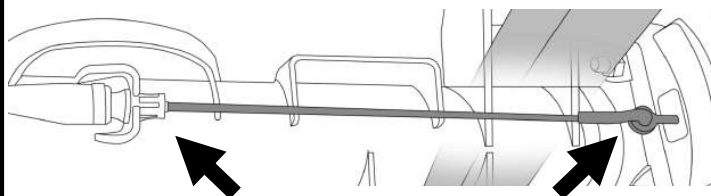


REROUTE E-BRAKE CABLES UNDER CROSS MEMBER AND FUEL LINES.



23

RECONNECT E-BRAKE CABLES TO THE AXLE BRACKETS AND THEN THE E-BRAKE EYELETS.

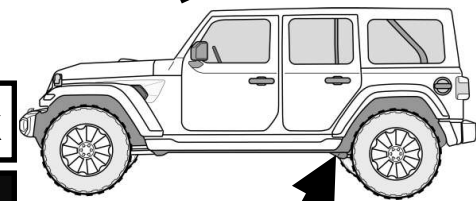
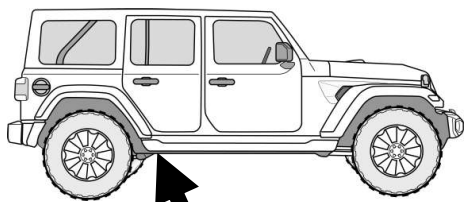


2x

24

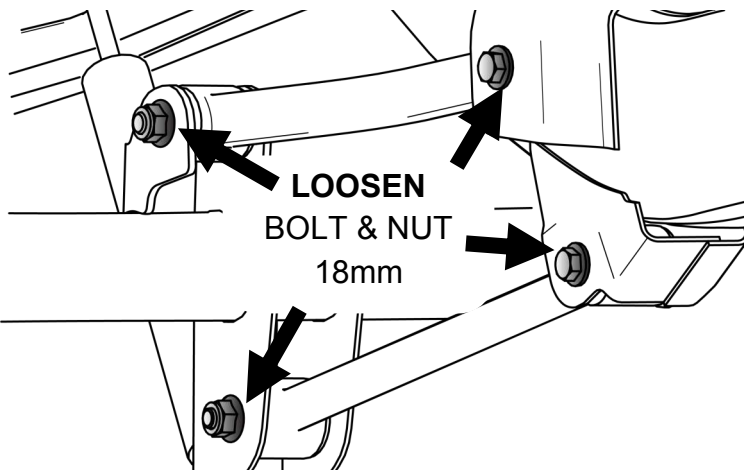
REMOVE CLAMPS FROM E-BRAKE EYELET

**LOOSEN REAR CONTROL ARM BOLTS
DO NOT REMOVE THE CONTROL ARM BOLTS**

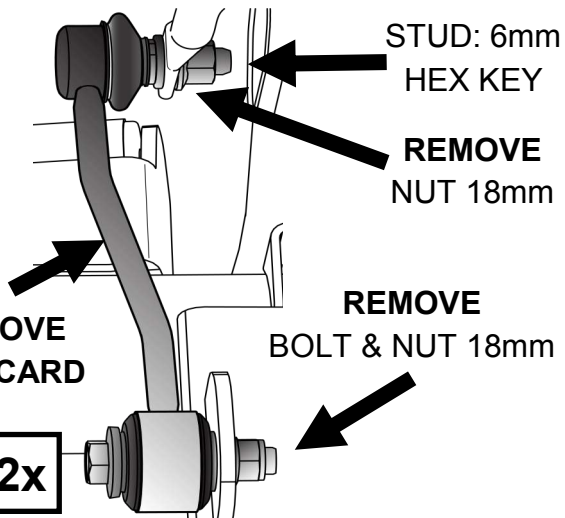


2x

25

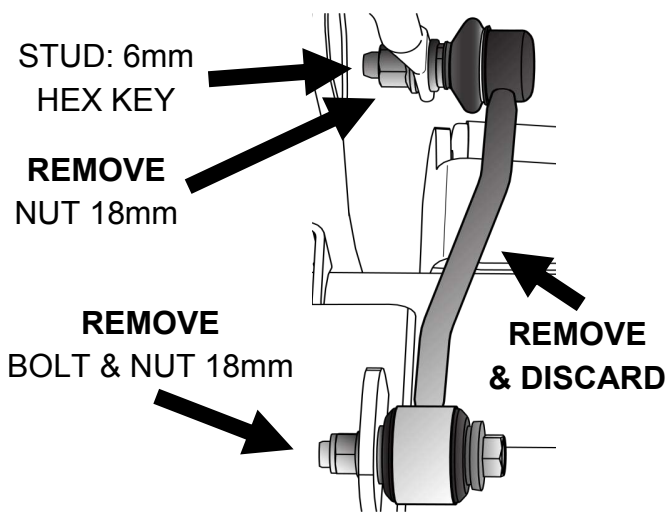


REMOVE SWAY BAR LINKS

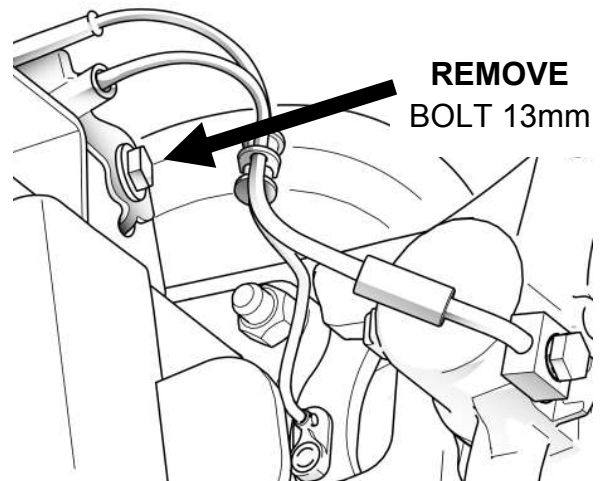
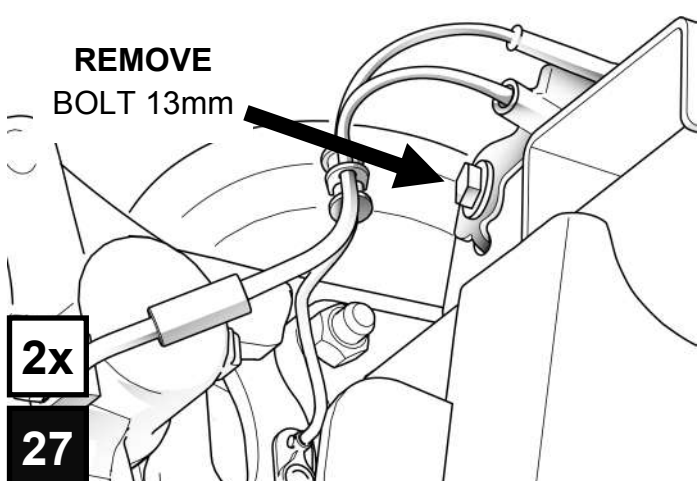


26

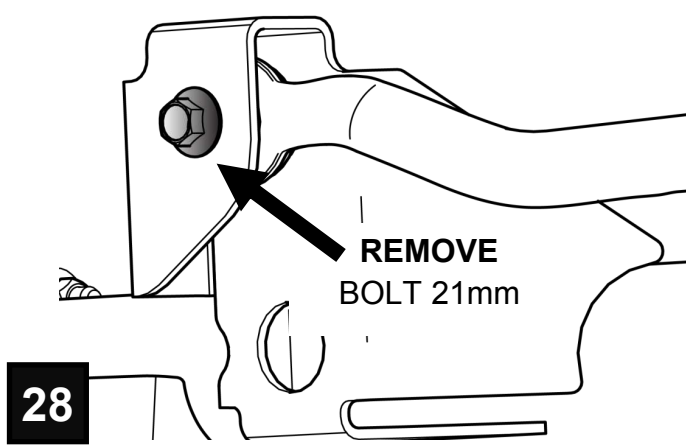
2x



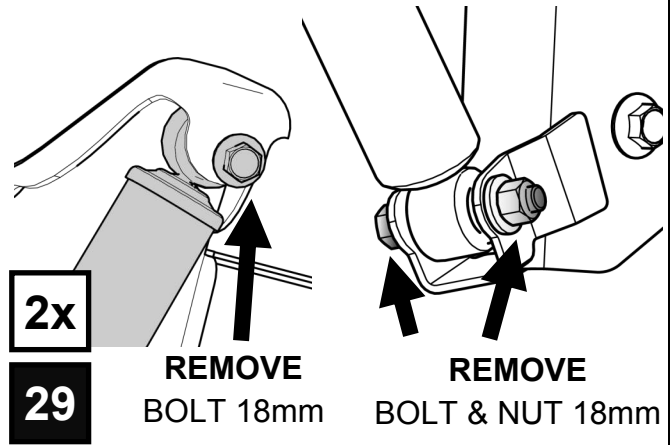
REMOVE BRAKE LINE BRACKETS FROM AXLE



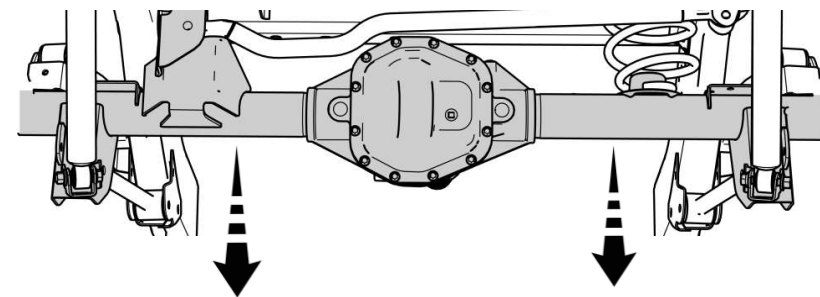
REMOVE THE TRACK BAR FROM THE AXLE



REMOVE THE REAR SHOCKS

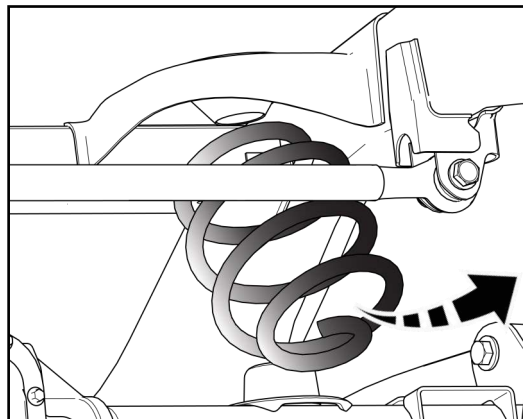


LOWER AXLE AND REMOVE THE SPRINGS

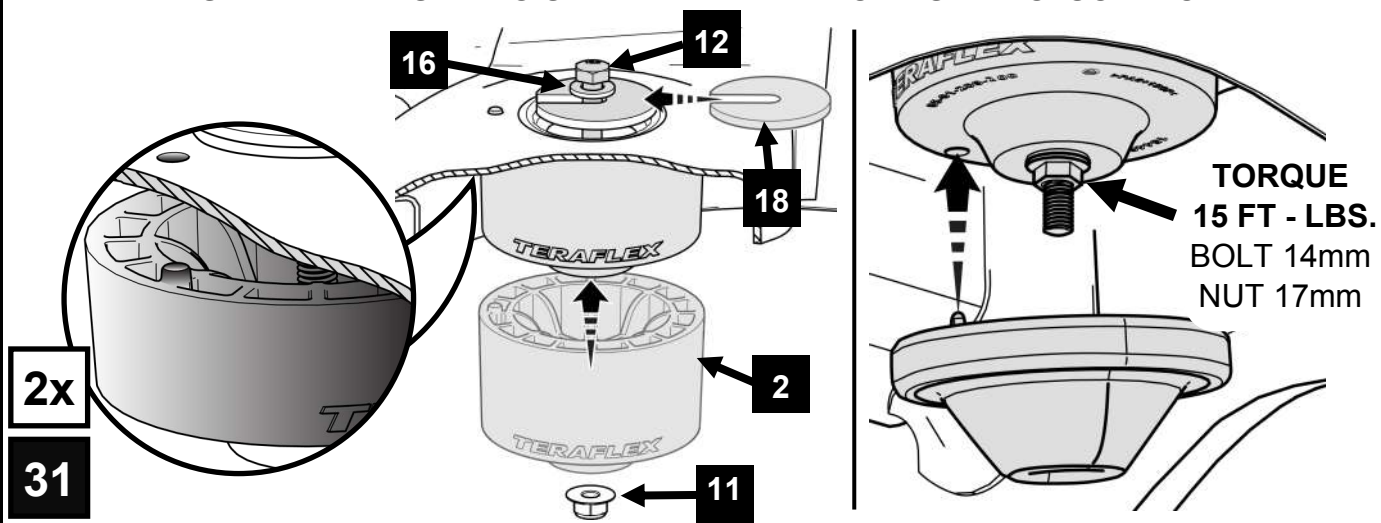


2x
30

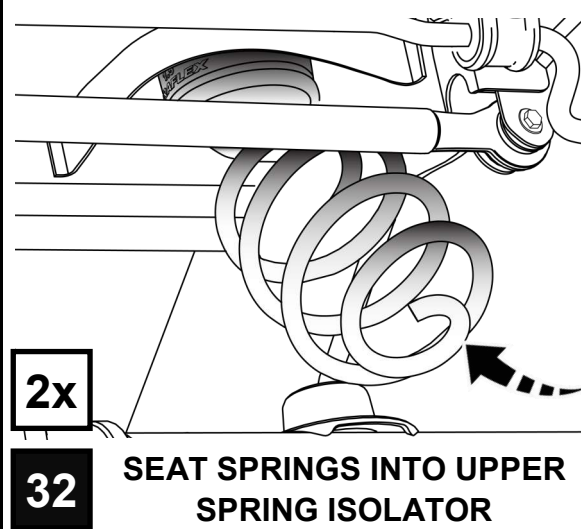
NOTE: REMOVE ANY PLASTIC RETAINERS FROM WIRING OR HOSES AS NEEDED.



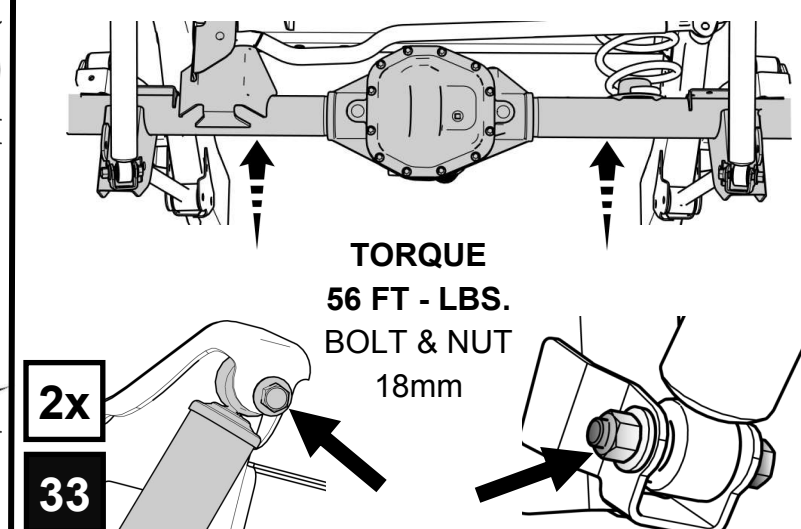
INSTALL REAR SPRING SPACER AND FACTORY SPRING ISOLATOR



REINSTALL REAR SPRINGS

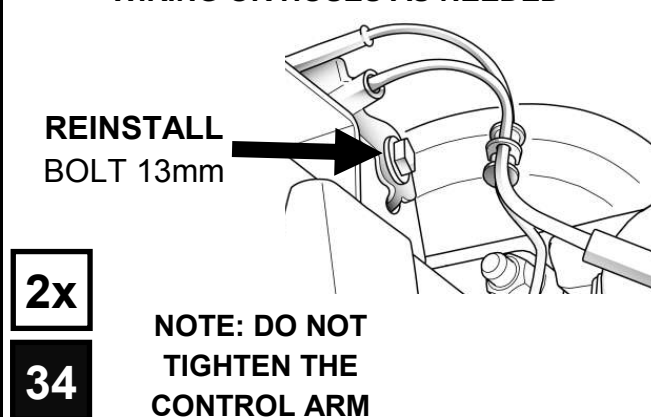


RAISE AXLE & INSTALL REPLACEMENT SHOCKS

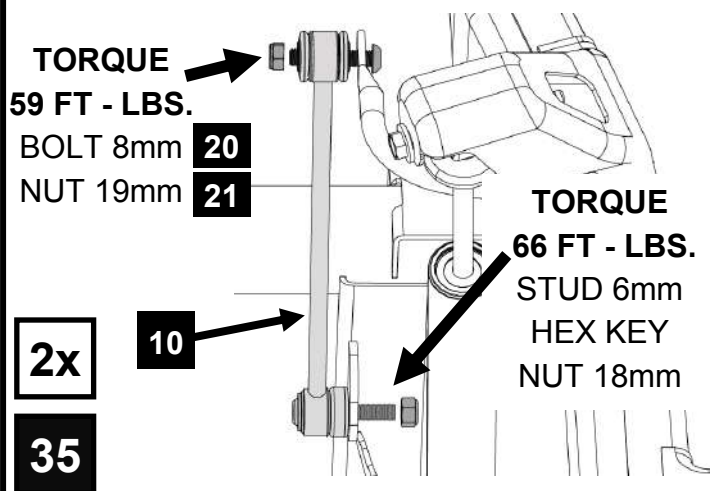


REINSTALL BRAKE LINE BRACKETS

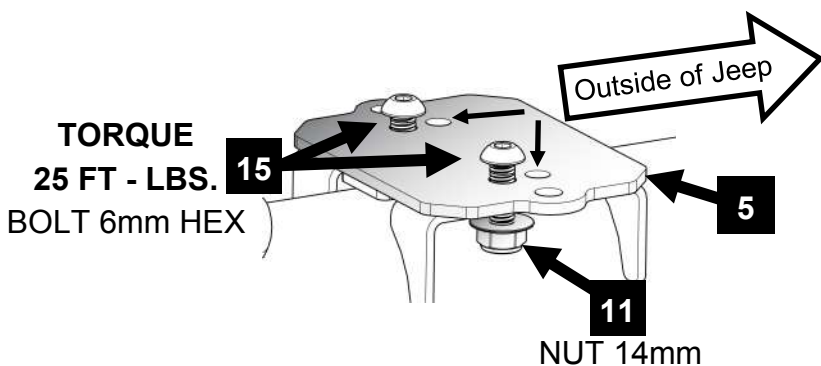
RECONNECT PLASTIC RETAINERS FROM WIRING OR HOSES AS NEEDED



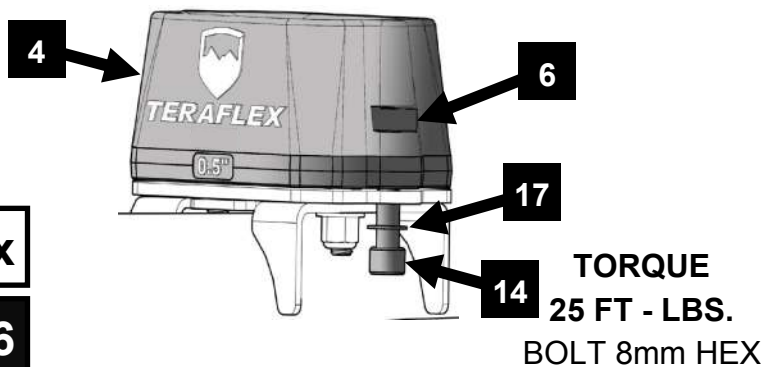
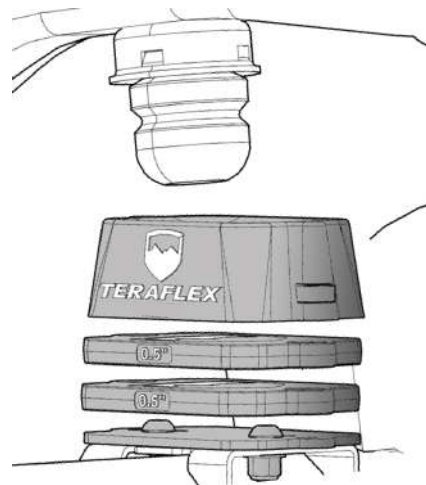
INSTALL NEW SWAY BAR LINKS



INSTALL BUMPSTOP TOP SPACER ONTO AXLE



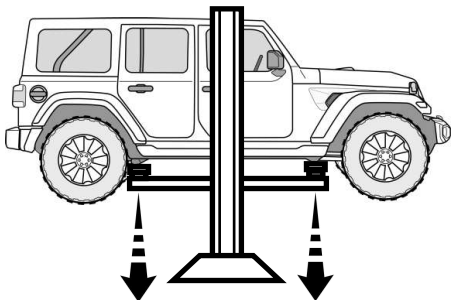
NOTE: REFER TO PAGE 14 FOR BUMPSTOP SPACER GUIDE



2x

36

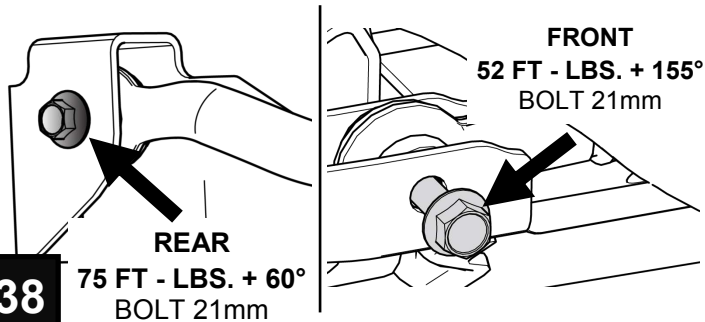
REINSTALL TIRES AND WHEELS AND LOWER JEEP TO GROUND



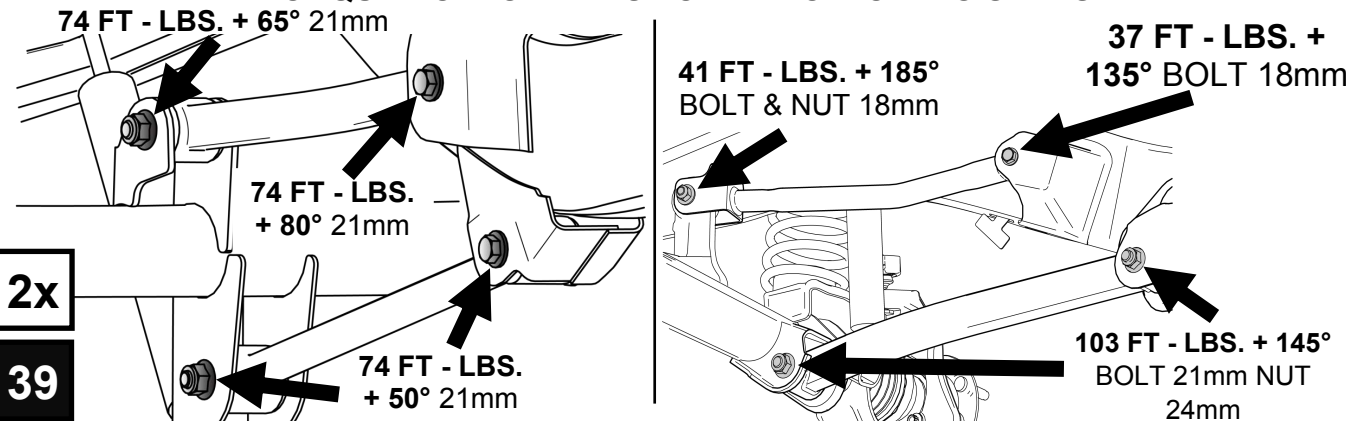
37

TORQUE TO FACTORY SPEC

REINSTALL TRACK BARS AND TORQUE TO THE FOLLOWING SPECS



TORQUE CONTROL ARMS TO THE FOLLOWING SPECS



2x

39

**BOLT & NUT
18mm**

JL Tire Clearance Guide (FACTORY FENDERS)

By limiting suspension up travel, TeraFlex Bump Stops allow the use of larger tires while keeping the factory fenders.

JL Rubicon models feature high-clearance fenders that allow for more up travel, while the lower-clearance fenders on JL Sport and Sahara restricts tire size due to fender rubbing.

In order to address these fender differences, TeraFlex designed a proprietary modular bump stop system, which can be adapted to fit several different lift height and tire size configurations.

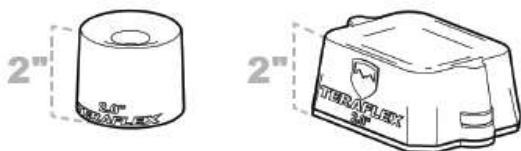
In addition to the main 2" bump stop spacers, this system includes multiple 0.5" interlocking spacers that can be added to fine tune bump stop height to limit suspension up travel.

JL RUBICON

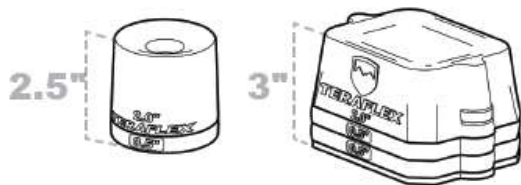
JL Rubicon with Factory Fenders:

See Notes: Not all Tires Measure the Same

- 33" - No Bump Stops
- 35" - 2" Front & 2" Rear Bump Stops



- 37" - 2.5" Front & 3" Rear Bump Stops

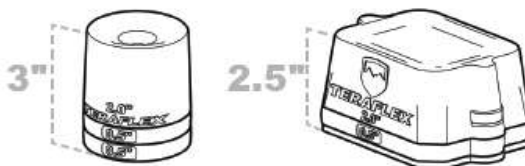


JL SPORT/SAHARA

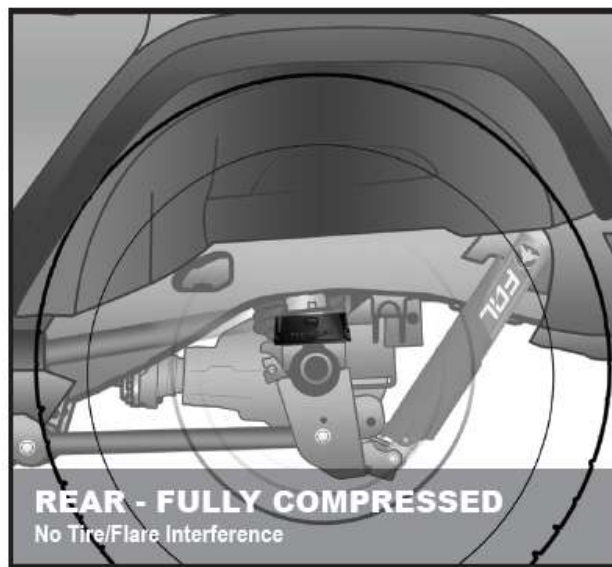
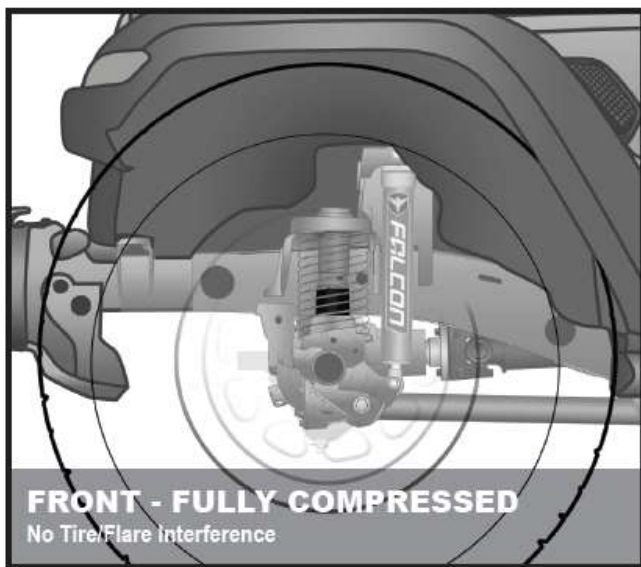
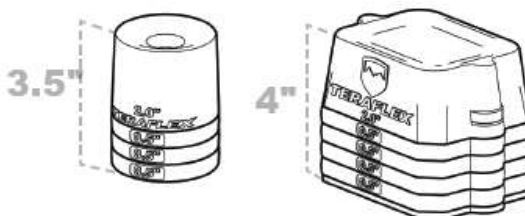
JL Sport/Sahara with Factory Fenders:

See Notes: Not all Tires Measure the Same

- 33" - No Bump Stops
- 35" - 3" Front & 2.5" Rear Bump Stops



- 37" - 3.5" Front & 4" Rear Bump Stops



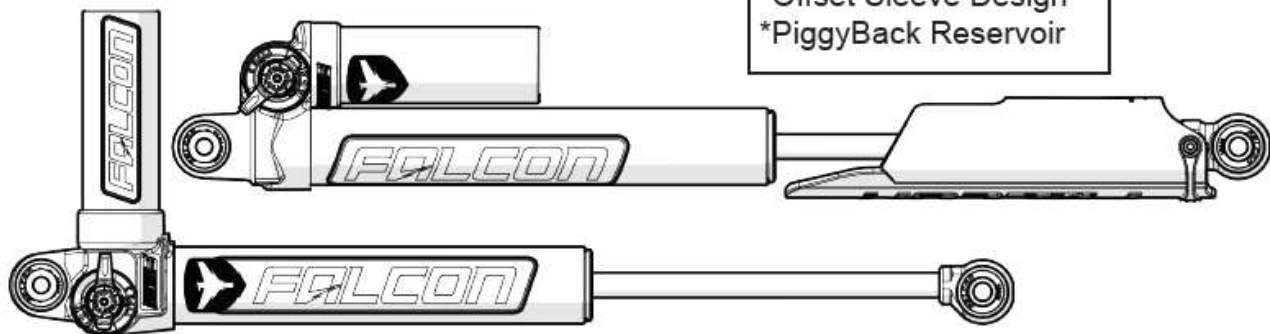
JL/JLU Strike Pad Shim (Front & Rear) 1959300 \$59.99

2-4 Inch Shock Options

JL Falcon Adjustable PiggyBack Shocks

- 4 Door Series 3.3, 11-01-33-400-200-3
- 2 Door Series 3.3, 10-01-33-400-200-3

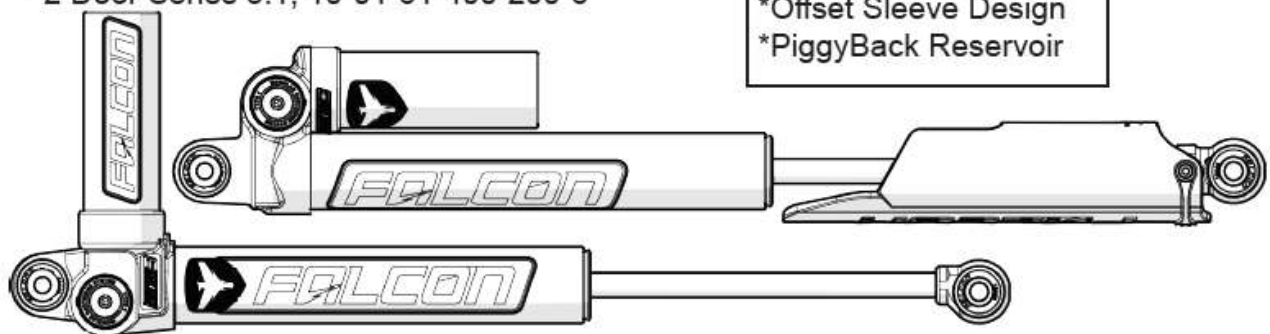
- *Fast Adjust Knob
- *High Flow Oil Channel
- *Offset Sleeve Design
- *PiggyBack Reservoir



JL Falcon PiggyBack Shocks

- 4 Door Series 3.1, 11-01-31-400-200-3
- 2 Door Series 3.1, 10-01-31-400-200-3

- *Series 3.3 Upgradable
- *High Flow Oil Channel
- *Offset Sleeve Design
- *PiggyBack Reservoir



JL Falcon Monotube Shocks

- 4 Door Series 2.1, 11-01-21-400-200-3
- 2 Door Series 2.1, 10-01-21-400-200-3

- *Oil Gas Separator
- *3/4" Chrome Shaft
- *Offset Sleeve Design
- *JL Specific Shock

