



TJ 3" Suspension Systems



Important Notes:

Prior to beginning this or any installation read these instructions to familiarize yourself with the required steps and evaluate if you are experienced and capable to personally perform these modifications. A factory service manual should be used in conjunction with these installation instructions.

This product will change the handling characteristics of your vehicle, drive with caution. A full four-wheel alignment is required after the installation of this product. We recommend your local, ASE Certified mechanic.

Refer to the parts list to ensure that all necessary components and hardware has been included. If any parts are missing please contact your local TeraFlex dealer for assistance.

Kit #1456352 (w/ Shocks)

Kit #1456350 (w/o Shocks)



Boxes Received

Spring Box	
Springs	2 Front; 2 Rear
Rear Sway Bar Links	2
Transfer Case Drop Kit	1 Kit; 6 Spacers
Front Quick Disconnect Links	1 Box
Bumpstop Extensions	2 Front; 2 Rear
Rear Track Bar Bracket	1
Hardware Bag	2

Track Bar Box	
Front Adjustable Track Bar	1

Flexarm Box	
Lower Control Arms	4
Front Upper Control Arms	2
Rear Upper Control Arms	2

Shock Box (Kit #1456352 Only)	
Shocks	2 Front; 2 Rear

Carefully check this list prior to beginning the installation. If any parts are missing please contact your local Teraflex dealer for assistance. See installation instructions for more detailed parts lists.



TJ 3" Suspension System with 8 FlexArms Master Installation Check-List

- Kit #1456352 (w/ Shocks) Remove the Front Track Bar (See: 999103 Front Track Bar/Removal)
- Kit #1456350 (w/o Shocks) Remove Front Sway Bar Links (See: 999127 Quick Disconnects/Removal)
- Remove Front Shocks (See: 999188 Shocks/Front Removal)
- Remove Front Springs (See:999187 Springs/Front Removal)
- Remove And Install Lower Control Arms (See: 999189 Lower Control Arms/Front)
- Remove And Install Upper Control Arms (See: 999196 Upper Control Arms/Front)
- Install Front Bumpstop Extensions (See: 999192 Bumpstop Extensions/Front/Installation)
- Install New Front Springs (See: 999187 Springs/Front Installation)
- Install Front New or Existing Shocks (See: 999188 Shocks/Front Installation)
- Install New Front Track Bar (See: 999103 Front Track Bar/Installation)
- Install New Quick Disconnect Links (See: 999127 Quick Disconnects/Installation)
- Remove Rear Track Bar (See: 999195 Rear Track Bar Bracket/Removal)
- Remove Rear Sway Bar Links (See: 999191 Rear Sway Bar Link/Removal)
- Remove Rear Shocks (See: 999188 Shocks Rear Removal)
- Remove Rear Springs (See: 999187 Springs/Rear Removal)
- Remove and Install Lower Control Arms (See: 999189 Lower Control Arms/Rear)
- Remove and Install Upper Control Arms (See: 999196 Upper Control Arms/Rear)
- Install Rear Bumpstop Extensions (See: 999192 Rear/Installation)
- Install New Rear Springs (See: 999187 Springs/Rear Installation)
- Install New or Existing Rear Shocks (See: 999188 Shocks/Rear Installation)
- Install Rear Track Bar Bracket (See: 999195 Rear Track Bar Bracket/Installation)
- Install New Rear Sway Bar Links (See: 999191 Rear Sway Bar Links/Installation)
- Install Transfer Case Drop (See: 999190 Transfer Case Drop Installation)

Kit #1456332 (w/ Shocks)
 Kit #1456330 (w/o Shocks)



Boxes Received

Spring Box	
Springs	2 Front; 2 Rear
Rear Sway Bar Links	2
Transfer Case Drop Kit	1 Kit; 6 Spacers
Front Quick Disconnect Links	1 Box
Bumpstop Extensions	2 Front; 2 Rear
Rear Track Bar Bracket	1
Hardware Bag	2

Flexarm Box	
Lower Control Arms	4

Shock Box (Kit #1456332 Only)	
Shocks	2 Front; 2 Rear

Carefully check this list prior to beginning the installation. If any parts are missing please contact your local Teraflex dealer for assistance. See installation instructions for more detailed parts lists.



TJ 3" Suspension System with 4 FlexArms

Master Installation Check-List

Kit #1456332 (w/ Shocks)

Kit #1456330 (w/o Shocks)

- Disconnect the Front Track Bar (See: Page 10)
- Remove Front Sway Bar Links (See: 999127 Quick Disconnects/Removal)
- Remove Front Shocks (See: 999188 Shocks/Front Removal)
- Remove Front Springs (See:999187 Springs/Front Removal)
- Remove And Install Lower Control Arms (See: 999189 Lower Control Arms/Front)
- Install Front Bumpstop Extensions (See: 999192 Bumpstop Extensions/Front/Installation)
- Install New Front Springs (See: 999187 Springs/Front Installation)
- Install Front New or Existing Shocks (See: 999188 Shocks/Front Installation)
- Drill and Reconnect the Front Track Bar (See: Page 10)
- Install New Quick Disconnect Links (See: 999127 Quick Disconnects/Installation)
- Remove Rear Track Bar (See: 999195 Rear Track Bar Bracket/Removal)
- Remove Rear Sway Bar Links (See: 999191 Rear Sway Bar Link/Removal)
- Remove Rear Shocks (See: 999188 Shocks Rear Removal)
- Remove Rear Springs (See: 999187 Springs/Rear Removal)
- Remove and Install Lower Control Arms (See: 999189 Lower Control Arms/Rear)
- Install Rear Bumpstop Extensions (See: 999192 Rear/Installation)
- Install New Rear Springs (See: 999187 Springs/Rear Installation)
- Install New or Existing Rear Shocks (See: 999188 Shocks/Rear Installation)
- Install Rear Track Bar Bracket (See: 999195 Rear Track Bar Bracket/Installation)
- Install New Rear Sway Bar Links (See: 999191 Rear Sway Bar Links/Installation)
- Install Transfer Case Drop (See: 999190 Transfer Case Drop Installation)

Kit #1241350 (w/ Shocks)
 Kit #1141350 (w/o Shocks)



Boxes Received

Spring Box	
Springs	2 Front; 2 Rear
Rear Sway Bar Links	2
Transfer Case Drop Kit	1 Kit; 6 Spacers
Front Quick Disconnect Links	1 Box
Bumpstop Extensions	2 Front; 2 Rear
Rear Track Bar Bracket	1
Hardware Bag	2

Shock Box (Kit #1456432 Only)	
Shocks	2 Front; 2 Rear

Carefully check this list prior to beginning the installation. If any parts are missing please contact your local Teraflex dealer for assistance. See installation instructions for more detailed parts lists.



TJ 3" Suspension Lift Kit

Master Installation Check-List

Kit #1241350 (w/ Shocks)

Kit #1141350 (w/o Shocks)

- Disconnect the Front Track Bar (See: Page 10)
- Remove Front Sway Bar Links (See: 999127 Quick Disconnects/Removal)
- Remove Front Shocks (See: 999188 Shocks/Front Removal)
- Remove Front Springs (See: 999187 Springs/Front Removal)
- Install Front Bumpstop Extensions (See: 999192 Bumpstop Extensions/Front/Installation)
- Install New Front Springs (See: 999187 Springs/Front Installation)
- Install Front New or Existing Shocks (See: 999188 Shocks/Front Installation)
- Drill and Reconnect the Front Track Bar (See: Page 10)
- Install New Quick Disconnect Links (See: 999127 Quick Disconnects/Installation)
- Remove Rear Track Bar (See: 999195 Rear Track Bar Bracket/Removal)
- Remove Rear Sway Bar Links (See: 999191 Rear Sway Bar Link/Removal)
- Remove Rear Shocks (See: 999188 Shocks Rear Removal)
- Remove Rear Springs (See: 999187 Springs/Rear Removal)
- Install Rear Bumpstop Extensions (See: 999192 Rear/Installation)
- Install New Rear Springs (See: 999187 Springs/Rear Installation)
- Install New or Existing Rear Shocks (See: 999188 Shocks/Rear Installation)
- Install Rear Track Bar Bracket (See: 999195 Rear Track Bar Bracket/Installation)
- Install New Rear Sway Bar Links (See: 999191 Rear Sway Bar Links/Installation)
- Install Transfer Case Drop (See: 999190 Transfer Case Drop Installation)

Kit #1141300 (w/o Shocks
or Quick Disconnects)



Box Contents

Spring Box	
Springs	2 Front; 2 Rear
Rear Sway Bar Links	2
Transfer Case Drop Kit	1 Kit; 6 Spacers
Bumpstop Extensions	2 Front; 2 Rear
Rear Track Bar Bracket	1
Hardware Bag	2

Carefully check this list prior to beginning the installation. If any parts are missing please contact your local Teraflex dealer for assistance. See installation instructions for more detailed parts lists.



TJ 3" Suspension Lift Kit w/o Quick Disconnect Links Master Installation Check-List

Kit #1141300 (w/o Shocks
or Quick Disconnects)

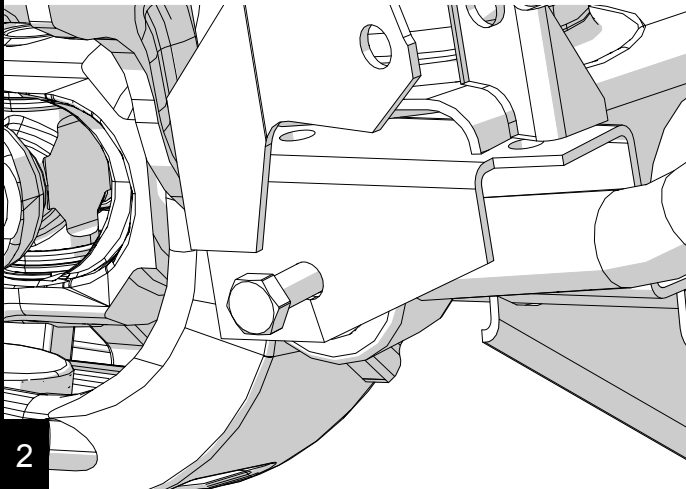
- Disconnect the Front Track Bar (See: Page 10)
- Disconnect the Front Sway Bar Links (See: 999127 Quick Disconnects/Removal)
- Remove Front Shocks (See: 999188 Shocks/Front Removal)
- Remove Front Springs (See: 999187 Springs/Front Removal)
- Install Front Bumpstop Extensions (See: 999192 Bumpstop Extensions/Front/Installation)
- Install New Front Springs (See: 999187 Springs/Front Installation)
- Install Front New or Existing Shocks (See: 999188 Shocks/Front Installation)
- Drill and Reconnect the Front Track Bar (See: Page 10)
- Reconnect the Front Sway Bar Links (See: 999127 Quick Disconnects/Installation)
- Remove Rear Track Bar (See: 999195 Rear Track Bar Bracket/Removal)
- Remove Rear Sway Bar Links (See: 999191 Rear Sway Bar Link/Removal)
- Remove Rear Shocks (See: 999188 Shocks Rear Removal)
- Remove Rear Springs (See: 999187 Springs/Rear Removal)
- Install Rear Bumpstop Extensions (See: 999192 Rear/Installation)
- Install New Rear Springs (See: 999187 Springs/Rear Installation)
- Install New or Existing Rear Shocks (See: 999188 Shocks/Rear Installation)
- Install Rear Track Bar Bracket (See: 999195 Rear Track Bar Bracket/Installation)
- Install New Rear Sway Bar Links (See: 999191 Rear Sway Bar Links/Installation)
- Install Transfer Case Drop (See: 999190 Transfer Case Drop Installation)

REMOVAL

This install can be performed with the vehicle sitting on the ground. Make sure it is safely support-

1

Remove from the axle bracket with either a T50 torx or a 17mm.

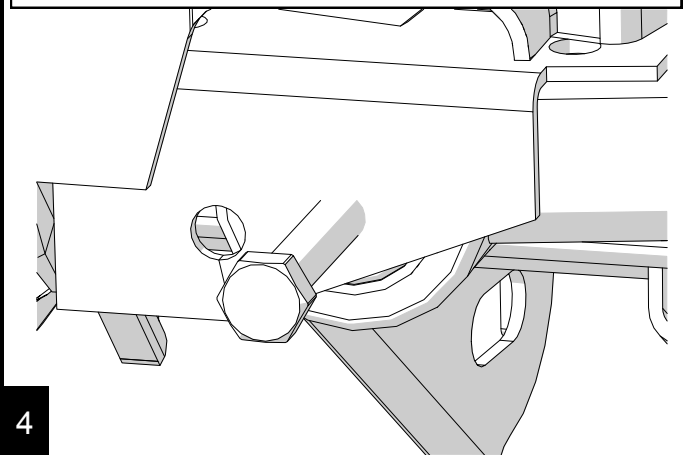
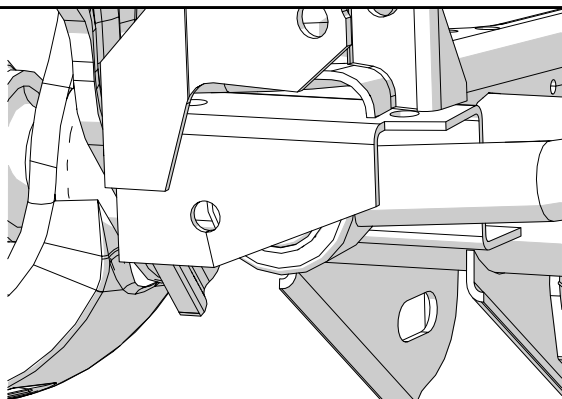


INSTALLATION

With the steering wheel centered, bounce the Jeep up and down. Use the bumper for this. Without moving any other components, raise the end of the track bar up into its mounting bracket.

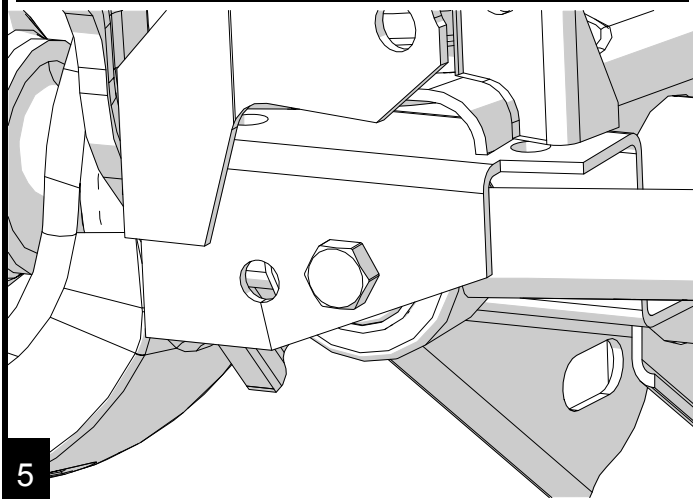
If you have room in the bracket so the hole does not overlap, go ahead and drill a hole with a 13/32" drill bit. If you drilled in the correct location the bar should line up with the new hole.

3



Insert the new 10mm x 75mm bolt. Torque to 40 ft-lbs.

5



Revision A

999201