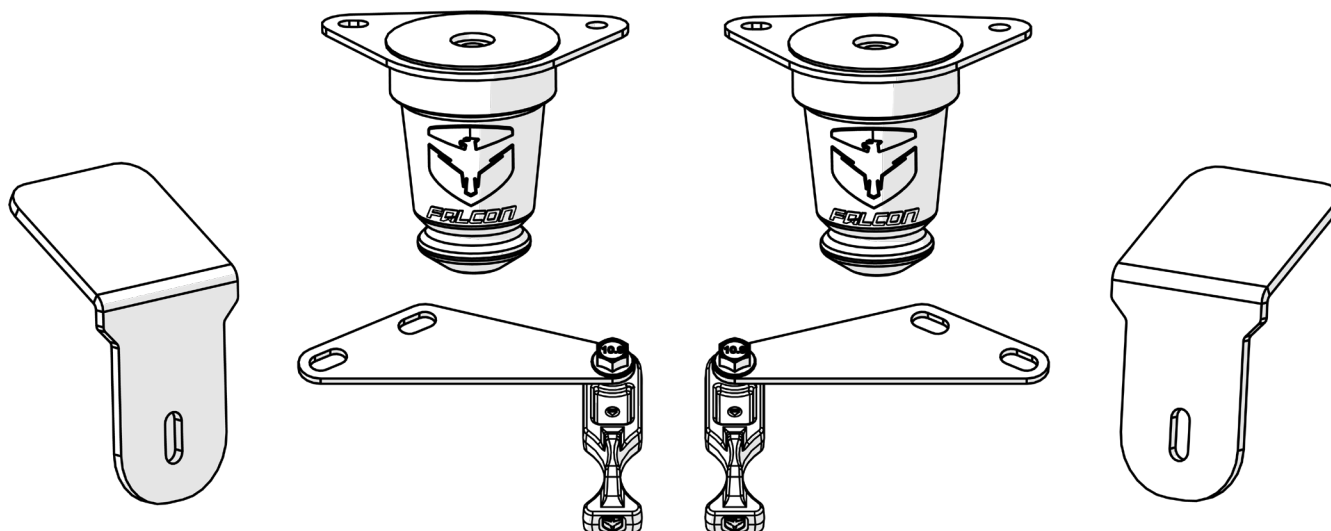




10-Current Toyota 4Runner Rear Bumpstop / Shock Alignment Tab Instructions

99-99-12-200-002



Important Notes:

Prior to beginning this install, or any installation, read the instructions thoroughly to familiarize yourself with the required steps. Evaluate if you are experienced and capable to personally perform these modifications. A factory service manual should be used in conjunction with these installation instructions.

This product will change the highway handling characteristics of your vehicle, exercise caution. After altering the suspension it is always advisable to have an alignment done by a competent 4 wheel drive shop or by an alignment shop that is experienced with lifted 4 wheel drive vehicles.

Refer to the parts list to ensure that all necessary components and hardware has been included. If any parts are missing please contact your local TeraFlex dealer for assistance.

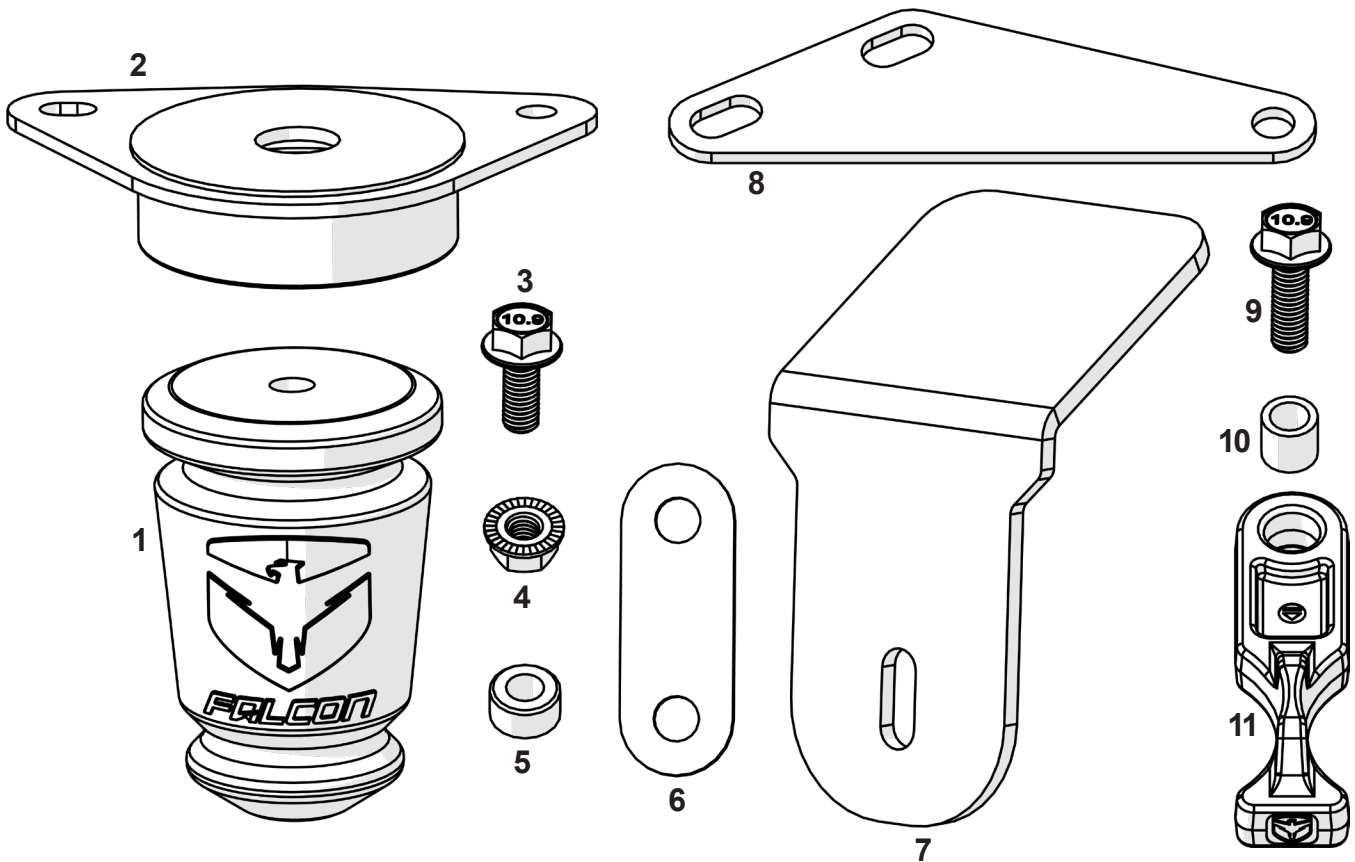
When reinstalling OEM hardware, refer to the torque specs given in the Factory Service Manual.

Tools Needed:

- Metric Sockets and Open End Wrenches
- Torque Wrench
- Factory Service Manual
- General Mechanics Tools

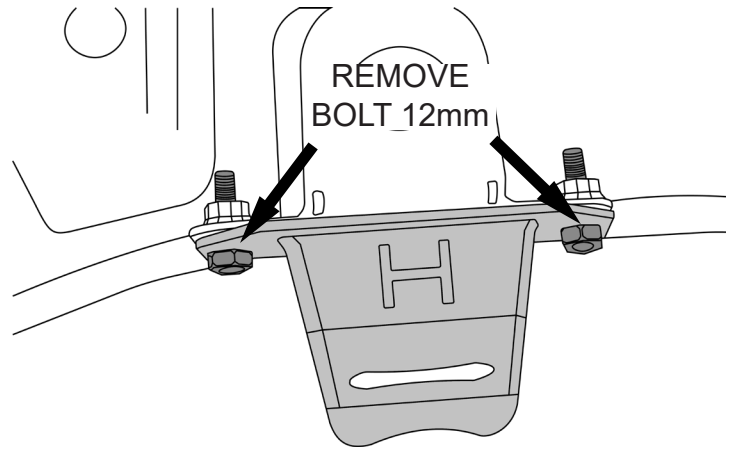
Maintenance Note:

After the first 300 miles and every 3,000 miles after that, re-torque all the suspension components and bolts.



Item #	Part No.	Description	QTY
1	45-02-02-002	Bumpstop, Foam, Snap-In, 3.90" Tall	2
2	45-03-01-007	Bumpstop Mount, Snap-In, 4Runner Bumpstop Assembly	2
3	164	Bolt M8 x 1.25 P x 20mm Long Flanged Hex Head Zinc Plated Grade 10.9	8
4	228125	Nut, M8-1.25 Zinc Serrated Hex Flange	2
5	56-06-04-034-1-1	Swaybar Spacer, 0.63" OD, 0.35" Length, 0.335" ID	2
6	23-02-04-001	Brake Line Extension, Toyota 4 Runner / Rear	2
7	45-03-02-002	Bumpstop Striker Pad, 4 Runner Rear Axle / Bolt on	2
	23-02-02-006	Shock Mount, Parrallel Resi / 4Runner Anchor / Assembly	
4	228125	Nut, M8-1.25 Zinc Serrated Hex Flange	2
8	23-02-02-005	Bracket, Shock Mount, 4Runner Anchor	2
9	228126	Hex Flange Bolt, M8 X 1.25 X 25mm	2
10	08-05-05-001-3	Sleeve Spacer, .500" OD, .350" ID / .450" Length	2
11	23-02-02-004	Bracket, Shock Mount, Parallel Resi / Rubber Anchor	2

REMOVE FACTORY REAR BUMPSTOPS

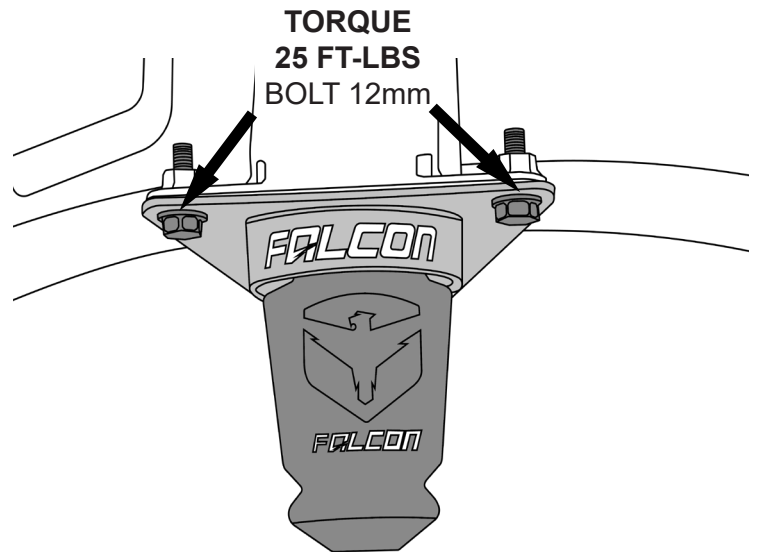


2X

1

PRESS FALCON BUMPSTOP INTO BUMPSTOP MOUNT AND INSTALL ONTO FRAME USING FACTORY HARDWARE.

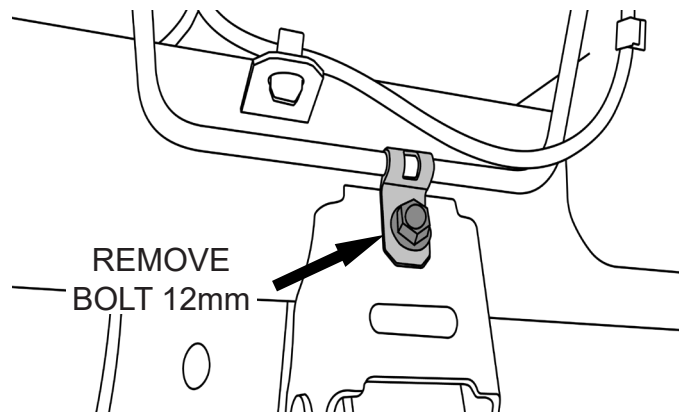
IF NEEDED, USE SOME SILICONE LUBE TO HELP INSTALL THE BUMPSTOPS INTO THE MOUNTS



2X

2

REMOVE BRAKE LINE ANCHOR BOLT ON LOWER CONTROL ARM BRACKET



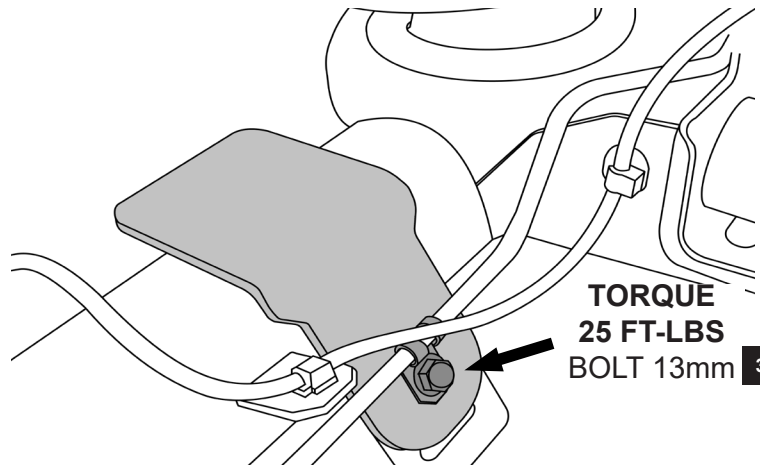
2X

3

INSTALL THE FALCON BUMPSTOP PAD AND REINSTALL THE BRAKE LINE ANCHOR USING THE PROVIDED HARDWARE

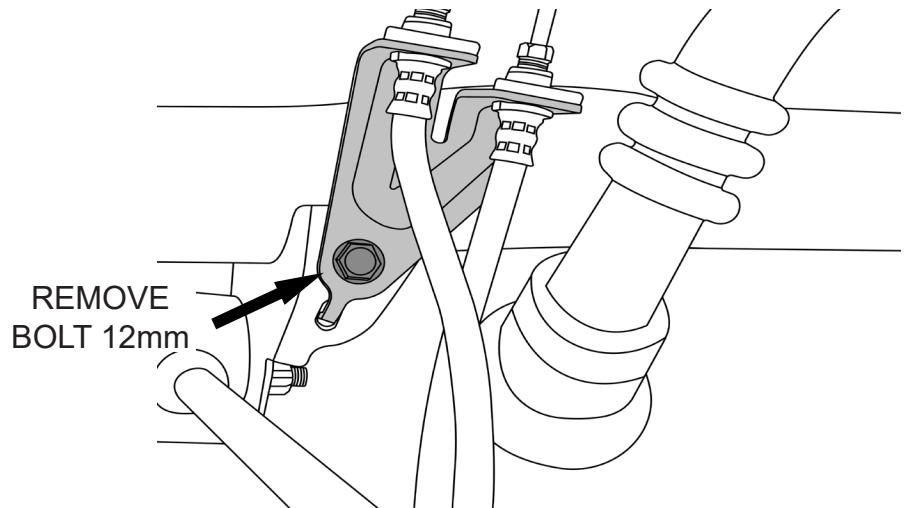
2X

4



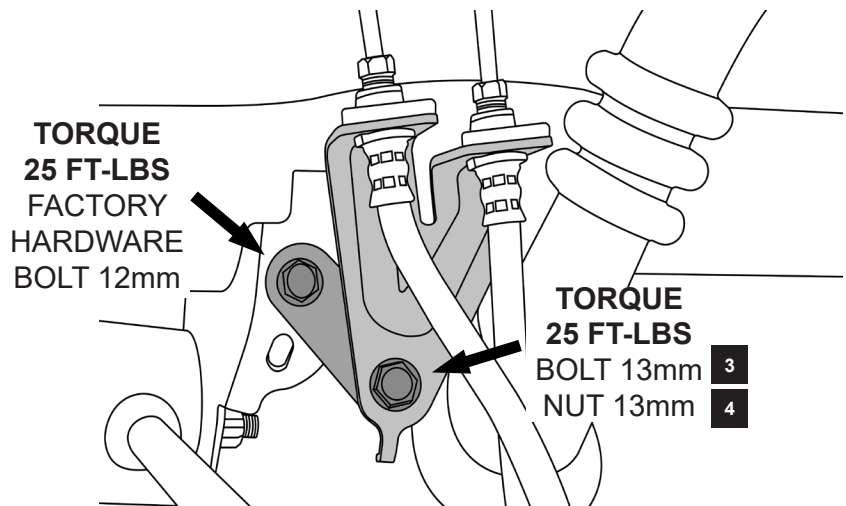
REMOVE THE DRIVER SIDE BRAKE LINE ANCHOR BOLT

5

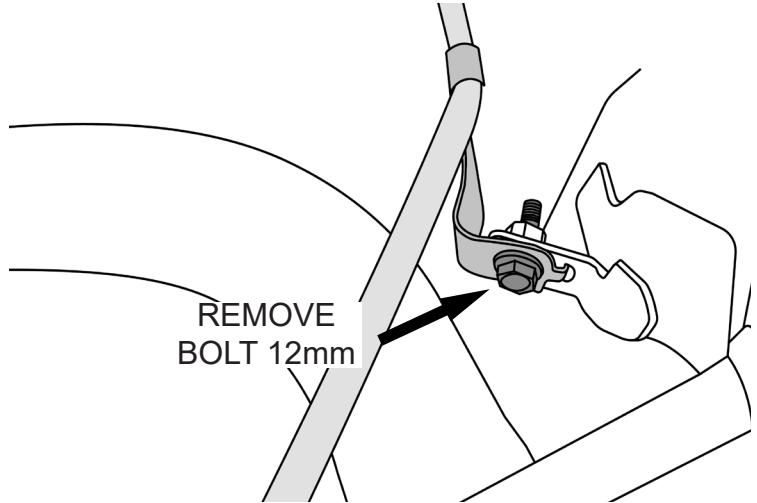


INSTALL THE BRAKE LINE ANCHOR EXTENSION

6



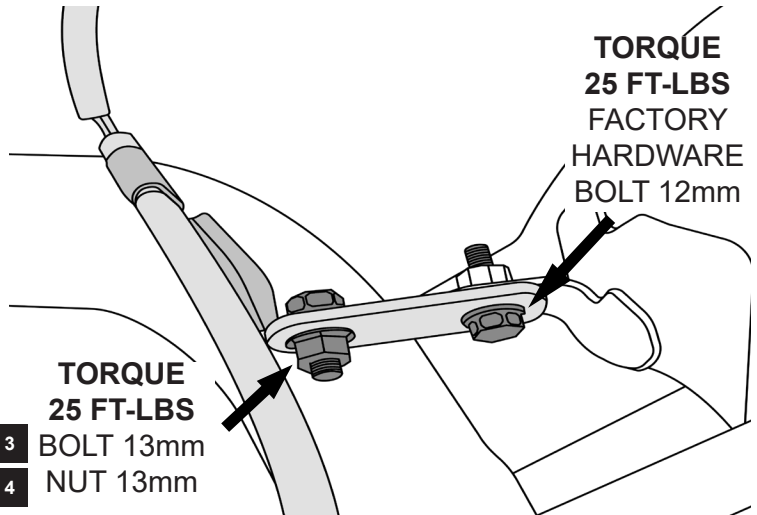
REMOVE THE PASSENGER SIDE BRAKE LINE ANCHOR BOLT



7

INSTALL THE BRAKE LINE ANCHOR EXTENSION

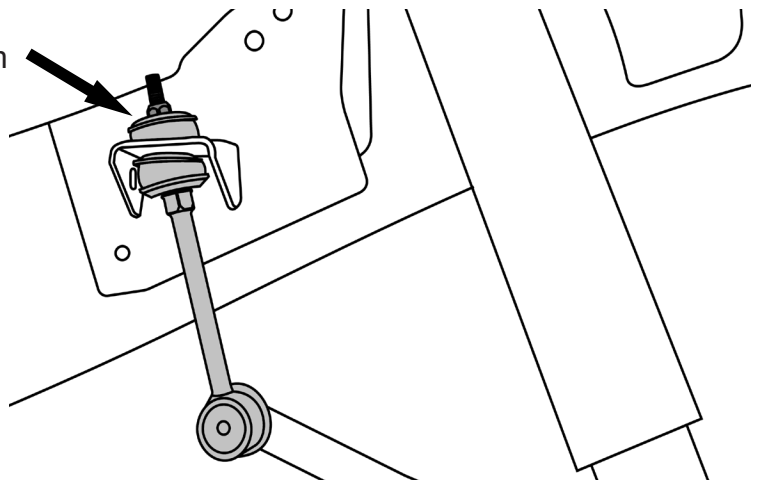
NOTE: MAKE SURE TO ANGLE THE BRAKE LINE AWAY FROM THE EXHAUST



8

REMOVE THE REAR SWAY BAR FROM THE FRAME

REMOVE BOLT 12mm

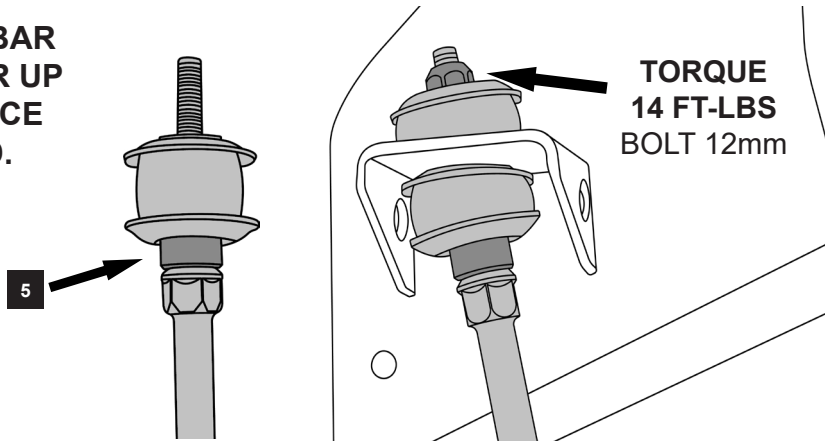


2X

9

SLIDE THE SPACER ONTO THE SWAY BAR AND REINSTALL THE SWAY BAR ONTO THE FRAME

NOTE: YOU MAY NEED A PRYBAR TO HELP PUSH THE SWAY BAR UP INTO THE FRAME MOUNT ONCE THE SPACER IS INSTALLED.

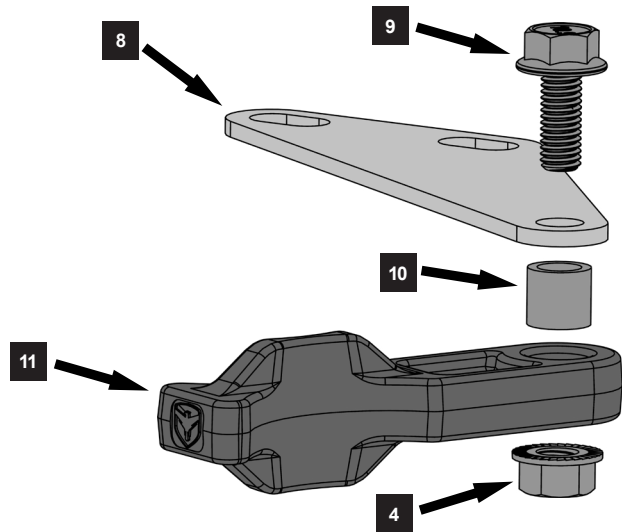


2X

10

ASSEMBLE THE SHOCK ALIGNMENT TAB

NOTE: LEAVE THE SHOCK ALIGNMENT TAB ASSEMBLY LOOSE UNTIL IT IS INSTALLED ONTO THE VEHICLE.



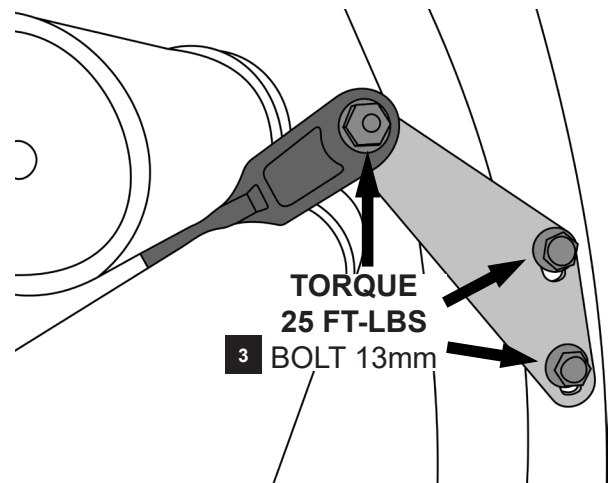
2X

11

INSTALL THE SHOCK ALIGNMENT TAB

NOTE: SLIDE THE ALIGNMENT TAB IN BETWEEN THE SHOCK BODY AND SHOCK RESERVOIR. TIGHTEN THE ASSEMBLY TO THE FRAME AND THEN TIGHTEN THE ASSEMBLY

NOTE: LEAVE THE SHOCK LOOSE UNTIL THE ALIGNMENT TAB IS TIGHT TO THE FRAME.



2X

12