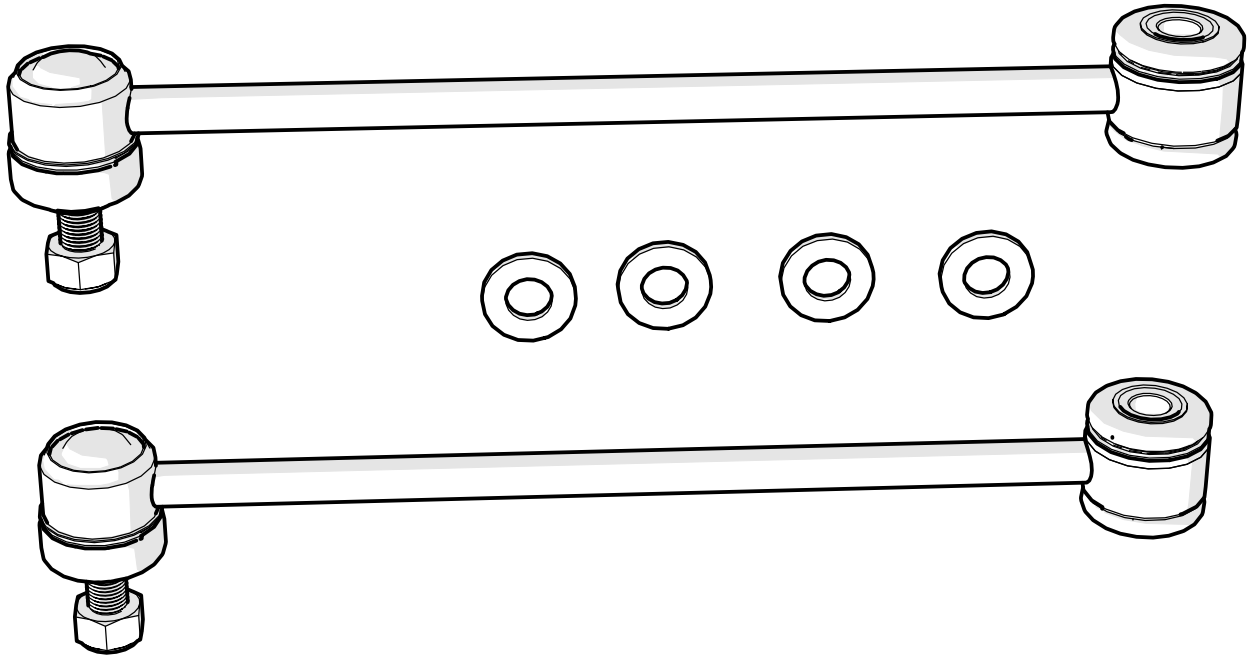




JK 3"-4" Rear Swivel Stud Swaybar Link Kit

Kit #1754500



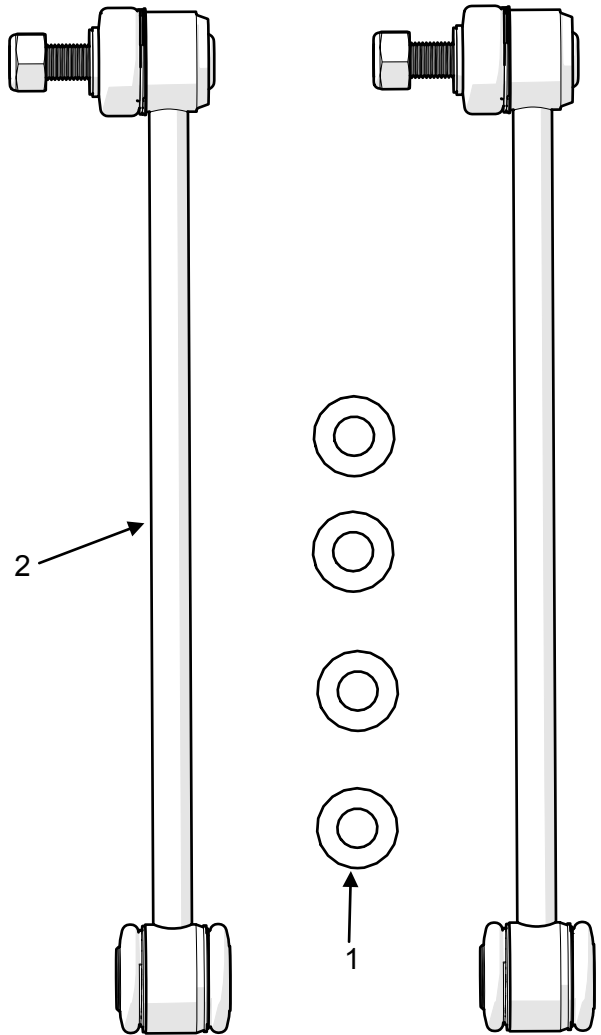
Important Notes:

Prior to beginning this or any installation read these instructions to familiarize yourself with the required steps and evaluate if you are experienced and capable to personally perform these modifications. A factory service manual should be used in conjunction with these installation instructions.

Refer to the parts list to ensure that all necessary components and hardware has been included. If any parts are missing please contact your local TeraFlex dealer for assistance.

Tools needed:

- This installation guide
- 6mm Allen Wrench
- 18mm Box Wrench
- 18mm Socket
- 19mm End Wrench
- Ratchet

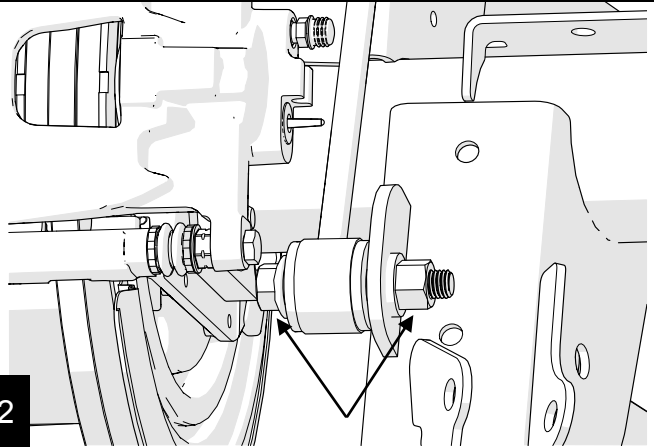


Parts List			
Item Number	Part Number	Description	Quantity
1	37	Washer 1/2" Flat Zinc Plated	4
2	754500	Swaybar Link Rear 12.25" w/ Swivel Stud	2

Park the vehicle on a level surface and chock the front tires. Break the rear lug nuts loose with the vehicle on the ground but do not remove the nuts completely. Jack the rear of the vehicle off the ground and lower it onto jack stands. Remove the wheels.

1

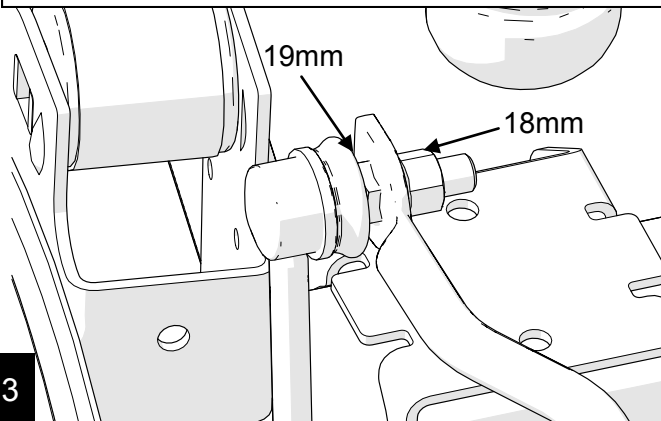
Using the 18mm socket and wrench, remove the bolt holding the factory link to the axle bracket.



2

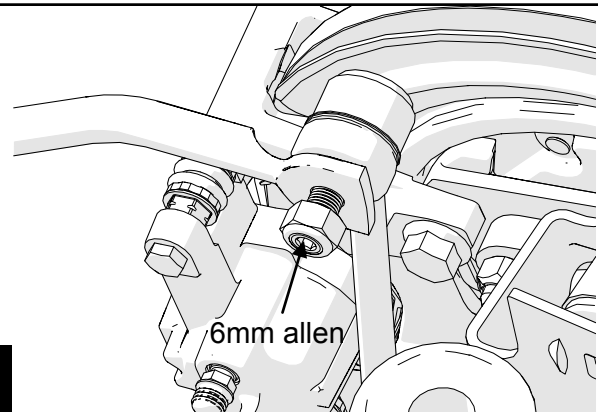
Using a 19mm wrench to hold the stud from turning and an 18mm to remove the nut, remove the link from the swaybar. Repeat steps 2 and 3 on other side.

3



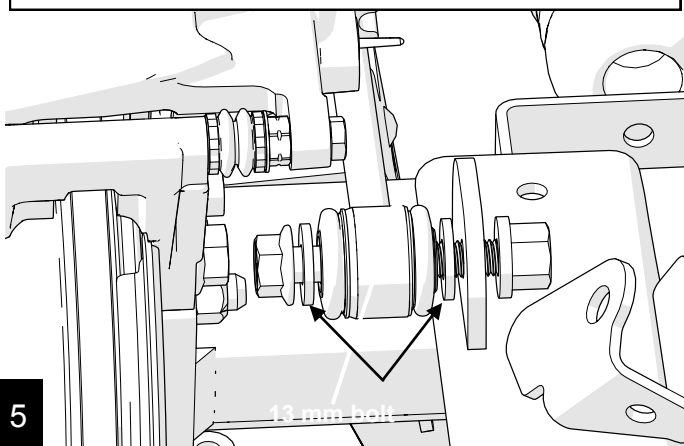
With both factory links removed, install the swivel end of the link into the swaybar from the outside. Install the new lock nut using the 19mm end wrench and the 6mm allen wrench. Torque to 66 ft-lbs

4



Using the 18mm install the factory hardware and two provided washers on the lower end of the link. Place the washers on either side of the bushing. Torque to 75 ft-lbs.

5

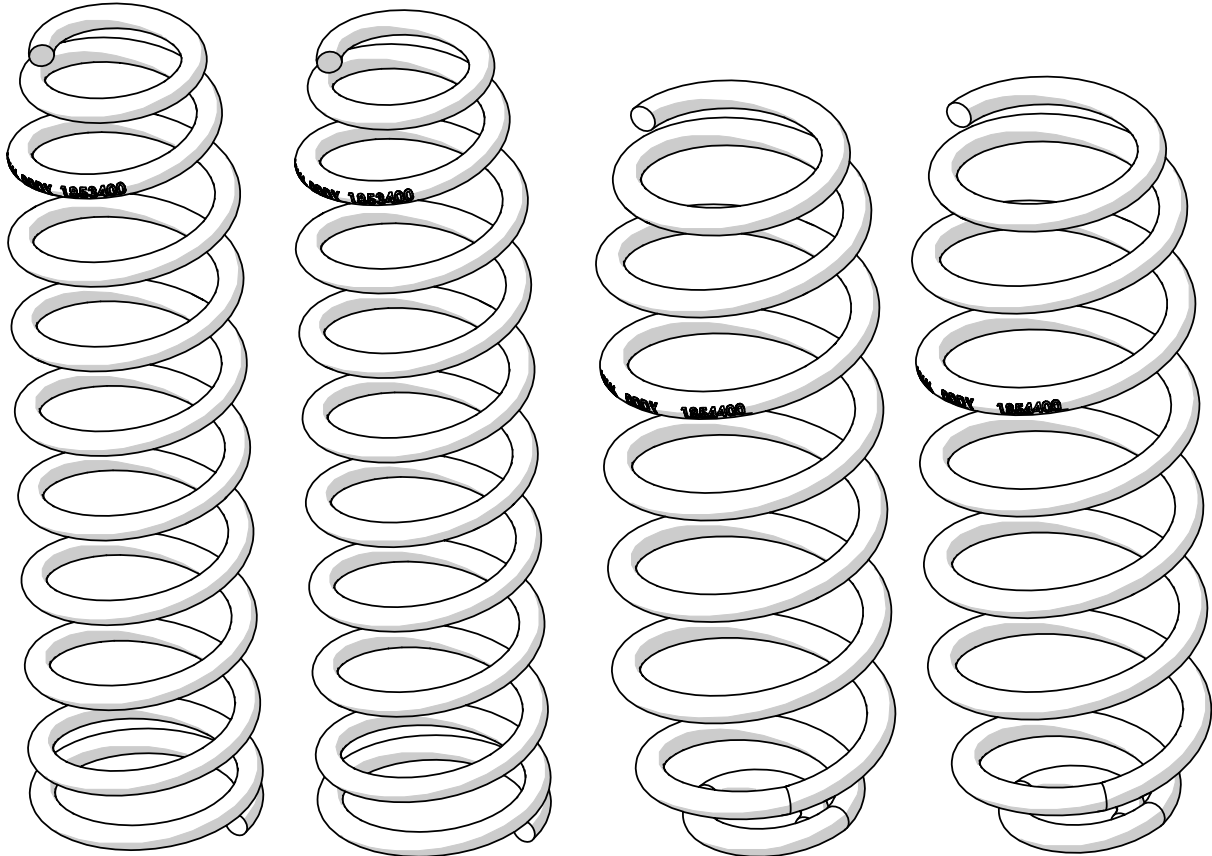


Replace the wheels, torque to 110 ft-lbs. Raise off the jack stands, lower to the ground and remove the chocks.

6



JK Spring Removal and Installation



Important Notes:

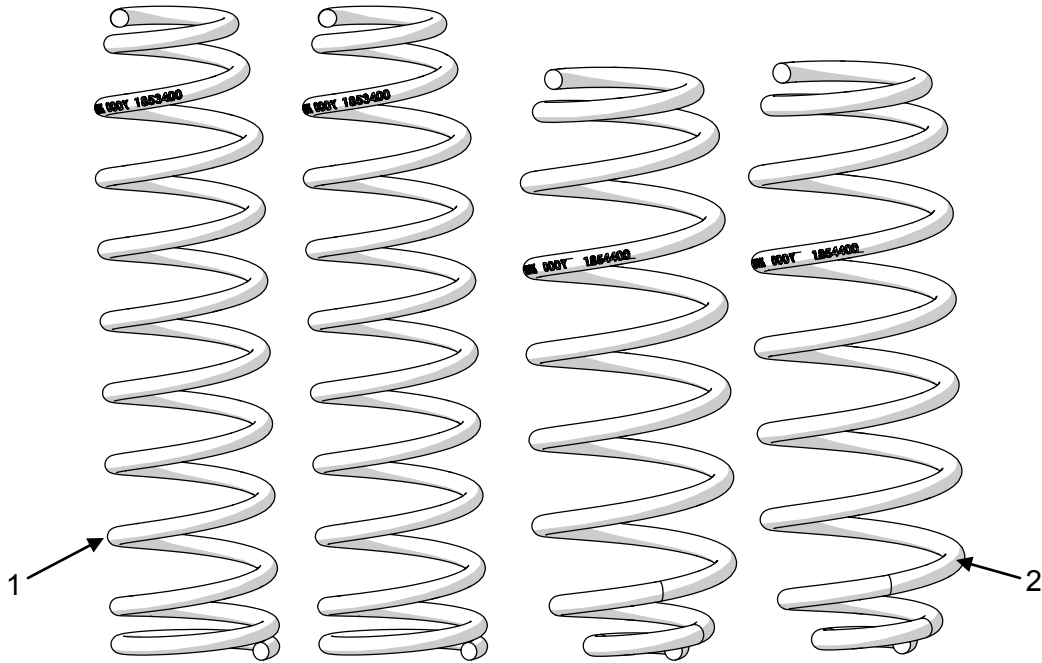
Prior to beginning this or any installation read these instructions to familiarize yourself with the required steps and evaluate if you are experienced and capable to personally perform these modifications. A factory service manual should be used in conjunction with these installation instructions.

This product will change the highway handling characteristics of your vehicle, exercise caution.

Refer to the parts list to ensure that all necessary components and hardware has been included. If any parts are missing please contact your local TeraFlex dealer for assistance.

Tools needed:

- This installation guide
- Basic mechanics tool set



Parts List- JK 2 Door Springs			
Item Number	Part Number	Description	Quantity
1	1853022	JK 2 Door 1.5" Front Springs	1 Pair
	1853052	JK 2 Door 2.5" Front Springs	
	1853102	JK 2 Door 3" Front Springs	
	1853202	JK 2 Door 4" Front Springs	
	1853402	JK 2 Door 6" Front Springs	
2	1854022	JK 2 Door 1.5" Rear Springs	1 Pair
	1854052	JK 2 Door 2.5" Rear Springs	
	1854102	JK 2 Door 3" Rear Springs	
	1854202	JK 2 Door 4" Rear Springs	
	1854402	JK 2 Door 6" Rear Springs	

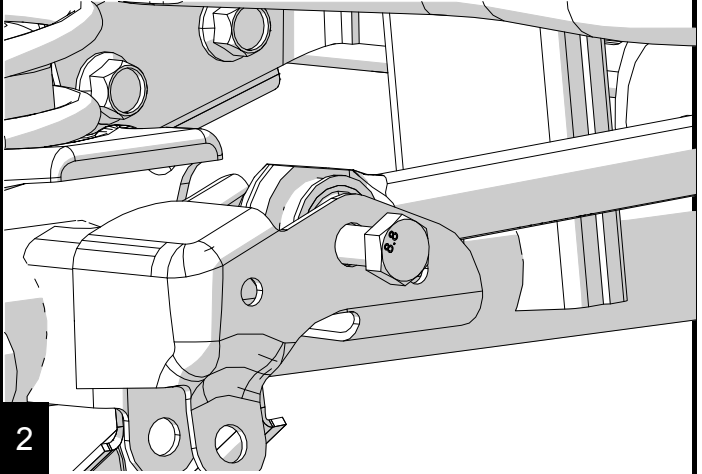
Parts List- JK 4 Door Springs			
Item Number	Part Number	Description	Quantity
1	1853052	JK 4 Door 1.5" Front Springs	1 Pair
	1853102	JK 4 Door 2.5" Front Springs	
	1853202	JK 4 Door 3" Front Springs	
	1853402	JK 4 Door 4" Front Springs	
	1853602	JK 4 Door 6" Front Springs	
2	1854052	JK 4 Door 1.5" Rear Springs	1 Pair
	1854102	JK 4 Door 2.5" Rear Springs	
	1854202	JK 4 Door 3" Rear Springs	
	1854402	JK 4 Door 4" Rear Springs	
	1854602	JK 4 Door 6" Rear Springs	

FRONT REMOVAL

Refer to the factory service manual for lift locations. Raise and support the vehicle. Remove the tires and wheels and support the axle with a jack or jack stands.

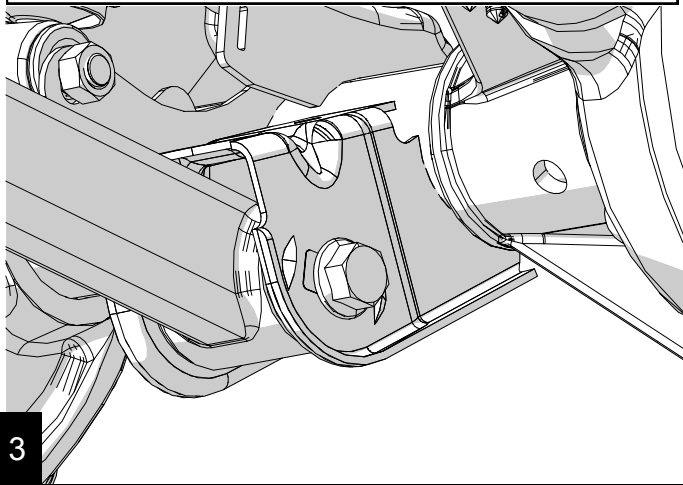
1

Remove the track bar at the axle with a 21mm. The nut is a flag nut. (See 999208 Front Track Bar/Removal)



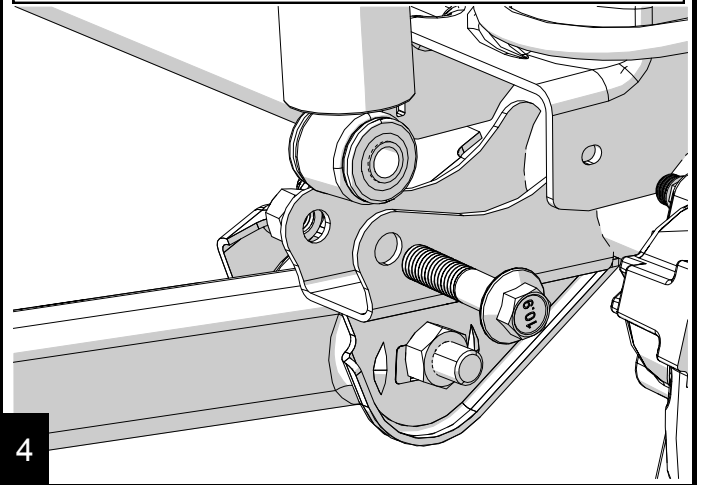
2

Loosen all front control arm bolts with a 21mm. DO NOT REMOVE ARMS OR BOLTS.



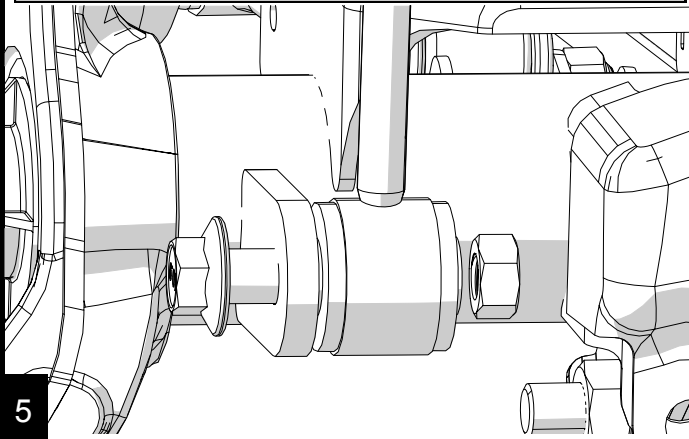
3

Remove the shocks at the axle with an 18mm wrench and socket. (See 999207 Shocks/Front/Removal)



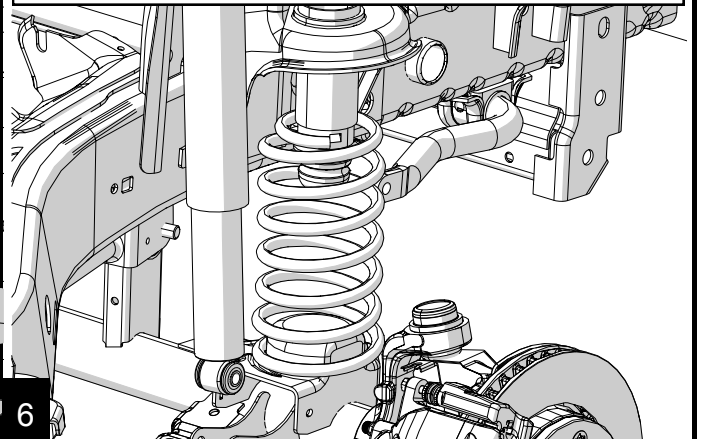
4

Remove the sway bar links with an 18mm wrench and socket at the axle. If you are replacing the links, remove completely. (See 999027 Front Quick Disconnect/Removal)



5

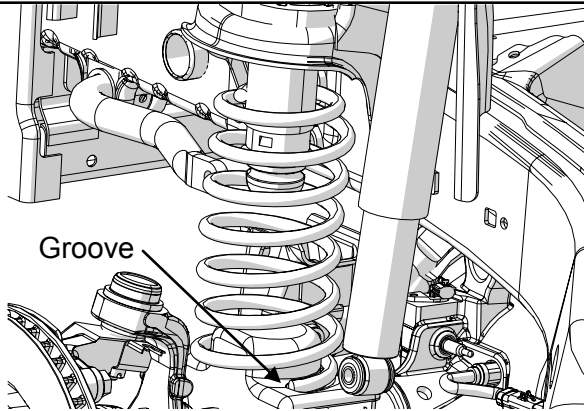
Lower the jack until the spring is free. Remove the coil spring. Be sure to watch the ABS, brake lines and breathers that they are not over stretched..



6

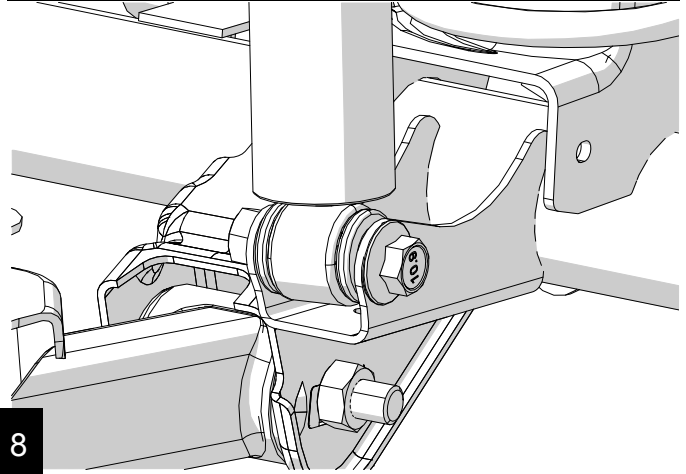
FRONT INSTALLATION

Install both coil springs, drivers side first followed by the passenger side. Rotate the spring until they are fully seated.



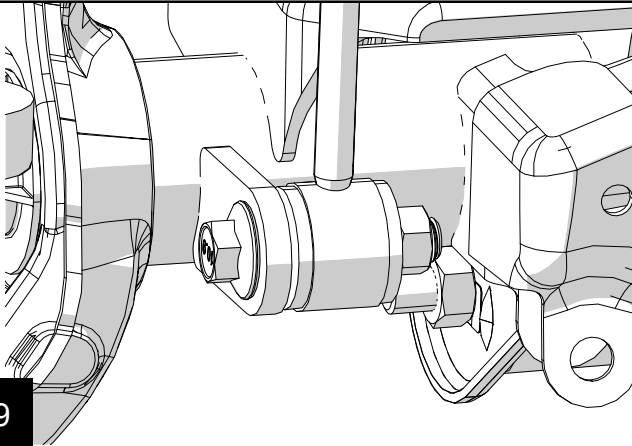
7

Raise the jack high enough to install the shocks. Torque to 56 ft-lbs (76 Nm). (See 999207 Shocks/Front/Installation)



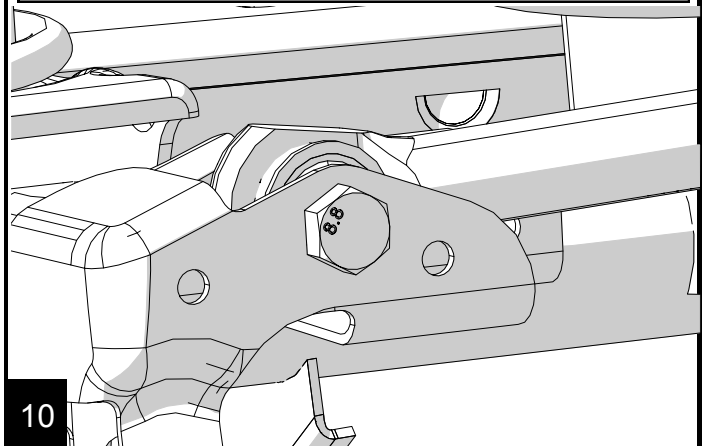
8

Reinstall the sway bar links or install new links if supplied. Torque top and bottom to 75 ft-lbs. (See 999027 JK Quick Disconnect Links/Installation)



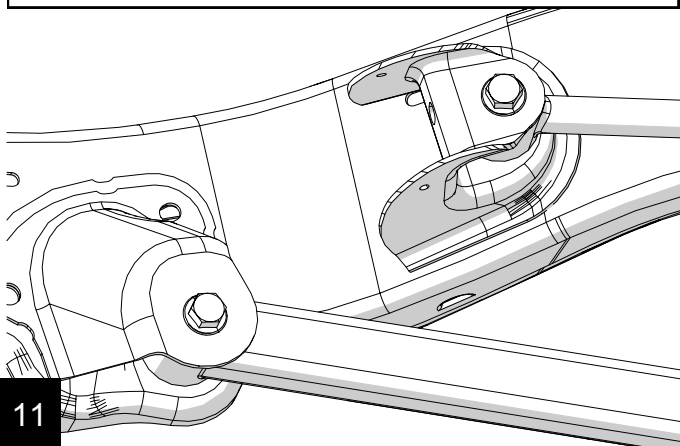
9

Reinstall the front track bar once the vehicle is sitting on the ground. Torque to 125 ft-lbs. (See 999208 Front Track Bar/Installation)



10

Reinstall wheels and tires. Torque lug nuts to 95-115 ft-lbs. Once the vehicle is on the ground, torque upper control arm bolts to 75 ft-lbs and all lowers to 125 ft-lbs.



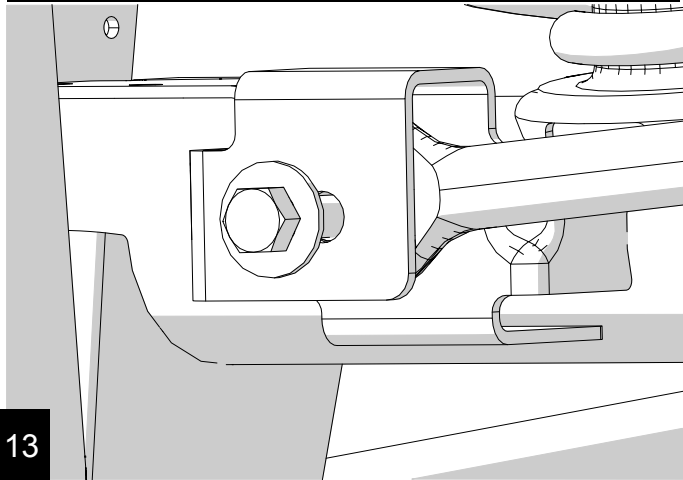
11

REAR REMOVAL

Refer to the factory service manual for lift locations. Raise and support the vehicle. Remove the tires and wheels and support the axle with a jack or jack stands.

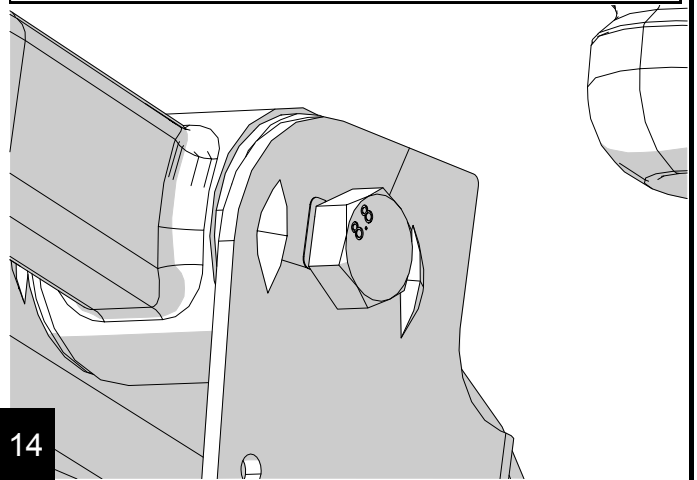
12

Remove the rear track bar at the axle with a 21mm. The nut is a flag nut. (See 999043 Rear Track Bar/Removal)



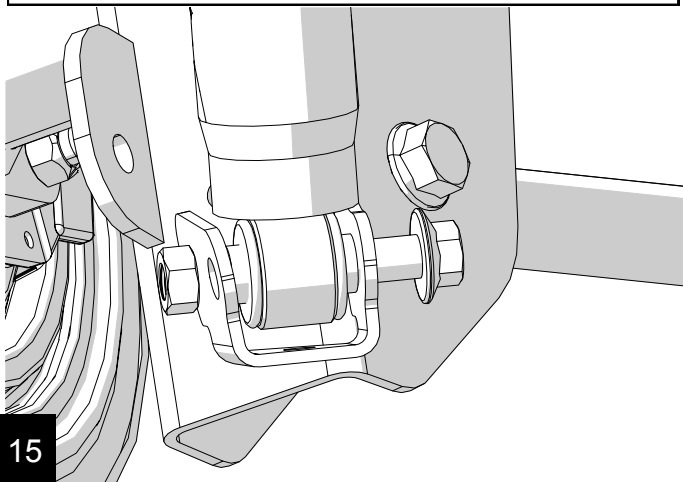
13

With a 21mm loosen all rear control arm bolts. DO NOT REMOVE ARMS OR BOLTS.



14

Remove the shock at the axle with an 18mm. (See 999207 Shocks/Rear/Removal)



15

Remove the clips that secure the ABS wiring harness to the upper control arm mount.



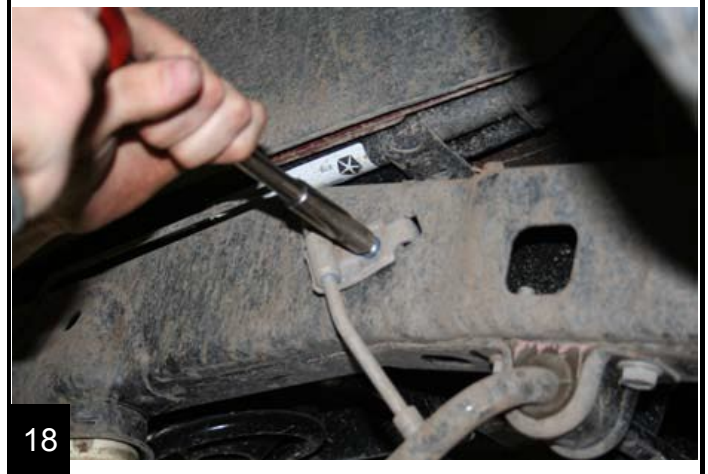
16

Remove the parking brake cable bracket from the underside of the body with a 10mm deep socket and discard.



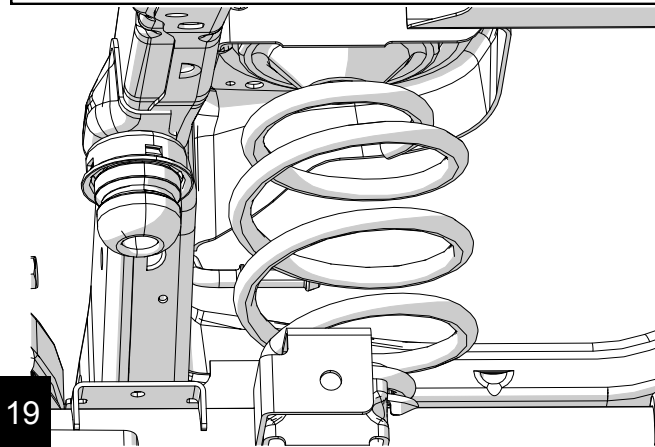
17

Remove the brake line mount from the frame with a 10mm.



18

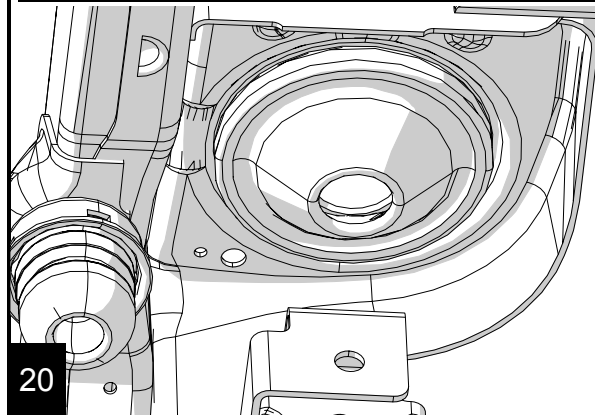
Carefully lower the axle enough to remove the spring. Be sure to watch the ABS, brake lines and breather tubes for overextension. Remove the old spring.



19

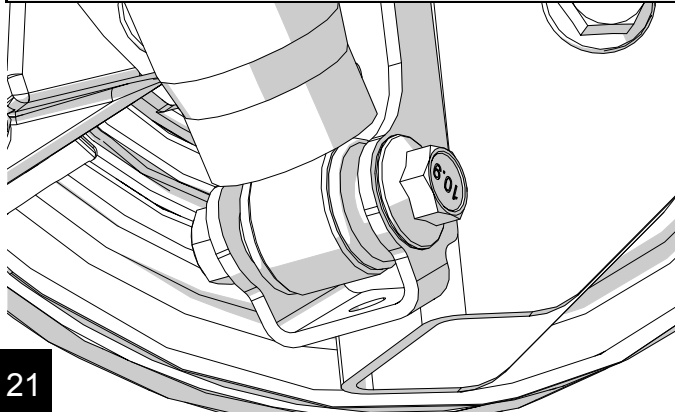
REAR INSTALLATION

Install the new springs. Make sure to reuse the factory spring isolator.



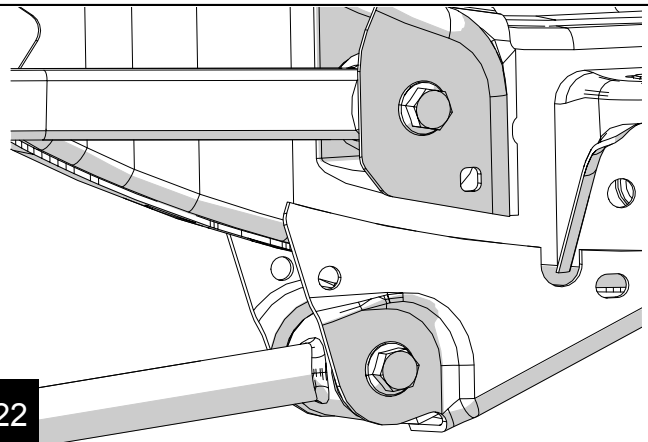
20

Raise the axle high enough to reinstall the lower shock bolts. Torque to 56 ft-lbs. (See 999207 Shocks/Rear/Installation) Using a drop bracket if necessary, reinstall the brake line mount to frame. Torque to 16 ft-lbs.



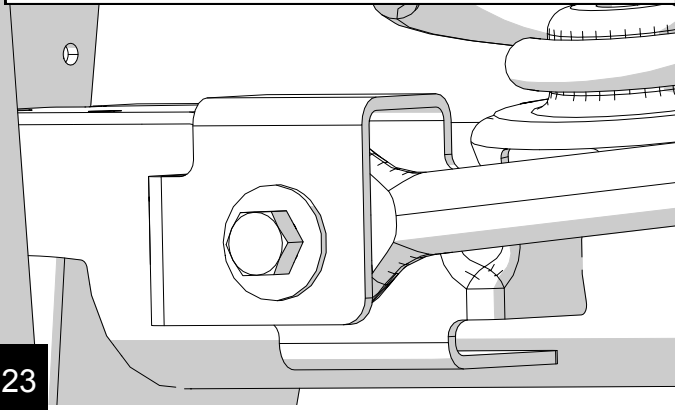
21

Reinstall wheels and tires, torque to 95-115 ft-lbs. Lower to the ground. Torque all upper control arm bolts to 75 ft-lbs and all lower control arms to 125 ft-lbs.



22

Reinstall the rear track bar at the axle. Have someone push on the body to help align the bolt holes. Torque to 125 ft-lbs. (See 999043 Rear Track Bar/Installation) Recheck every bolt for torque. Re-torque all bolts after 100 miles.



23

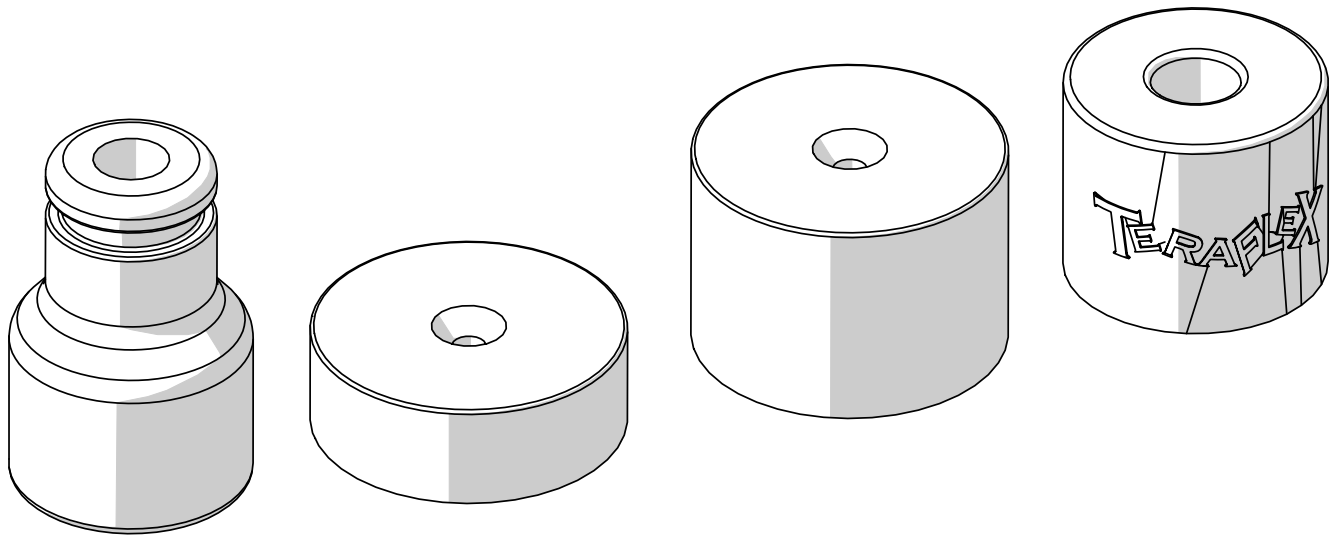
To straighten the steering wheel, loosen the adjuster sleeve on the drag link with a 15mm. Make a mark across the sleeve and threads to indicate the original position. Looking from the drivers side, rotate the adjuster sleeve counter clockwise 3/4 of a turn. This should be pretty close. Every vehicle is different, test drive yours and adjust as needed. Torque the pinch clamp bolts to 45 ft-lbs.

24



JK Front Bumpstop Extensions

- #1953800 Front Upper 2.75" Tall
- #1910234 Standard Lower 2.25" Tall
- #1467125 Speedbump Lower Bumpstop 1.25" Tall
- #1467250 Speedbump Lower Bumpstop 2.5" Tall



Important Notes:

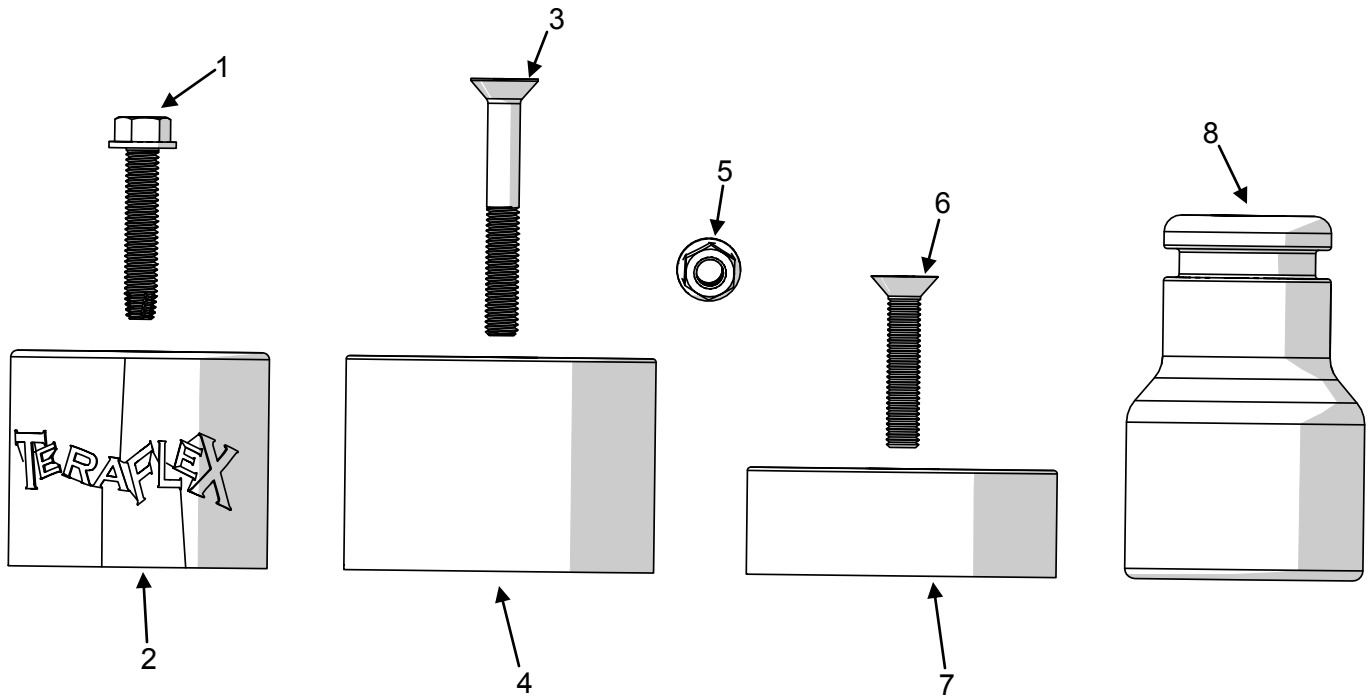
Prior to beginning this or any installation read these instructions to familiarize yourself with the required steps and evaluate if you are experienced and capable to personally perform these modifications. A factory service manual should be used in conjunction with these installation instructions.

Refer to the parts list to ensure that all necessary components and hardware has been included. If any parts are missing please contact your local TeraFlex dealer for assistance.

For upper bumpstop installation, see page 5.

Tools needed:

- This installation guide
- Basic mechanics tool set



Parts List- Kit #1910234

Item Number	Part Number	Description	Quantity
1	31	Bolt 3/8"-16x2" Self Tapping	2
2	4671111	JK/TJ Front Lower 2.25" Raised Bumpstop Pad	2

Parts List- Kit #1467250

Item Number	Part Number	Description	Quantity
3	3151	Bolt 3/8"-16x3" Flat Head Socket Cap	2
4	467250	Bumpstop JK Front 2.5" Tall x 3.5" OD	2
5	85	Nut 3/8"-16 Flanged Serrated	2

Parts List- Kit #1467125

Item Number	Part Number	Description	Quantity
6	315	Bolt 3/8"-16x2" Flat Head Socket Cap	2
7	467125	Bumpstop JK Front 1.25" Tall x 3.5" OD	2
5	85	Nut 3/8"-16 Flanged Serrated	2

Parts List- Kit #1953800 (See Page 5)

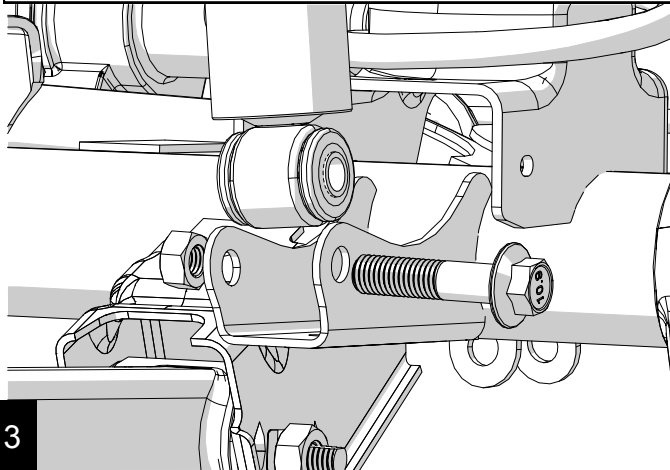
Item Number	Part Number	Description	Quantity
8	953800	JK Front Upper Bumpstop Extension 2.75"	2

INSTALLATION

Refer to the factory service manual for lift locations. Raise and support the vehicle. Remove the tires and wheels and support the axle with a jack or jack stands.

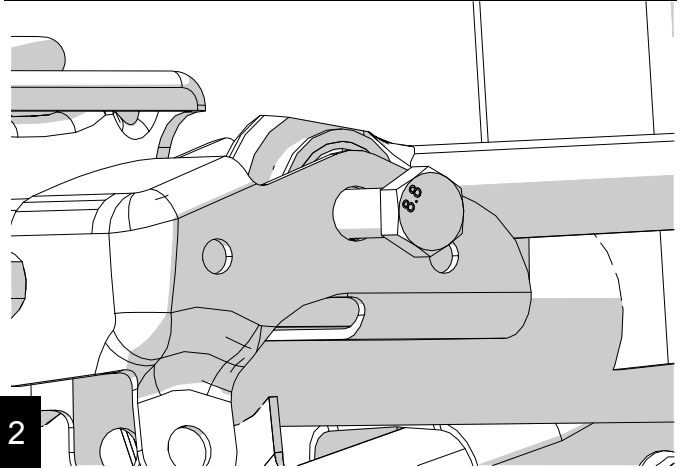
1

Remove the shocks at the axle with an 18mm. (See Shocks/Front Removal 999207)



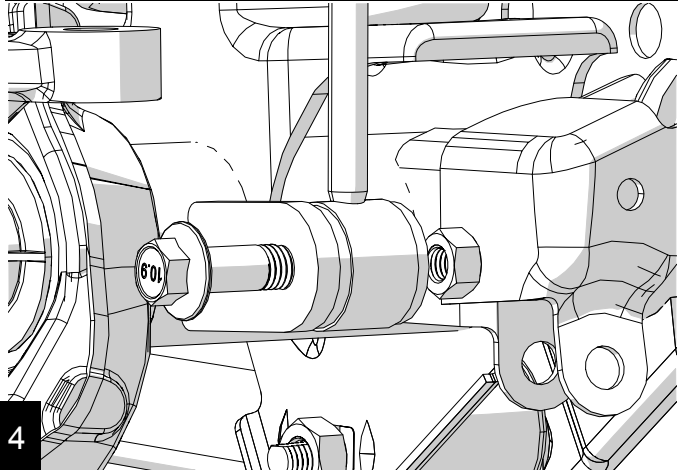
3

Remove the front track bar at the axle with a 21mm. (See Front Track Bar/ Removal 999208)



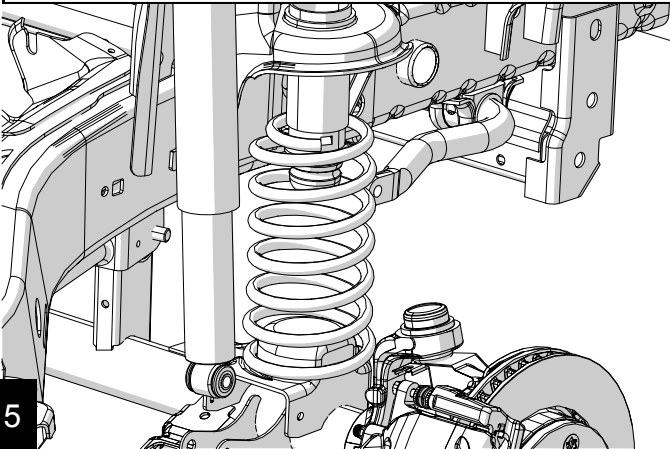
2

Disconnect the swaybar links front the axle with an 18mm. (See 999027 Quick Disconnect Links/Removal)



4

Lower the axle and remove the springs. (See Springs/Front Removal 999206) Upper bumpstop extensions installation see page 5 now.



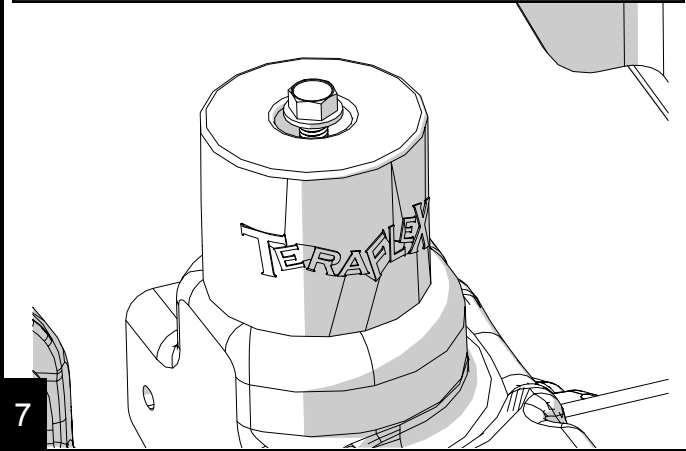
5

Locate the center of the spring pad and drill a 5/16" hole for standard pad installation. For speedbump pads, drill a 3/8" hole.

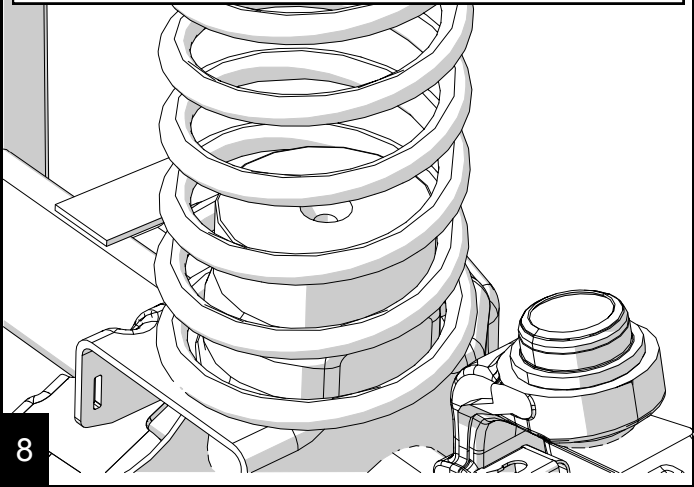


6

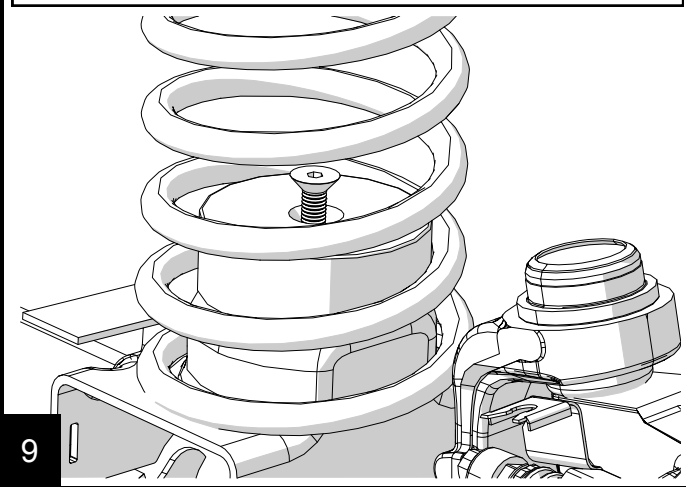
Use the standard bumpstop as a guide and thread the self tapping bolt into the hole. After threads are cut, remove the bolt and bumpstop.



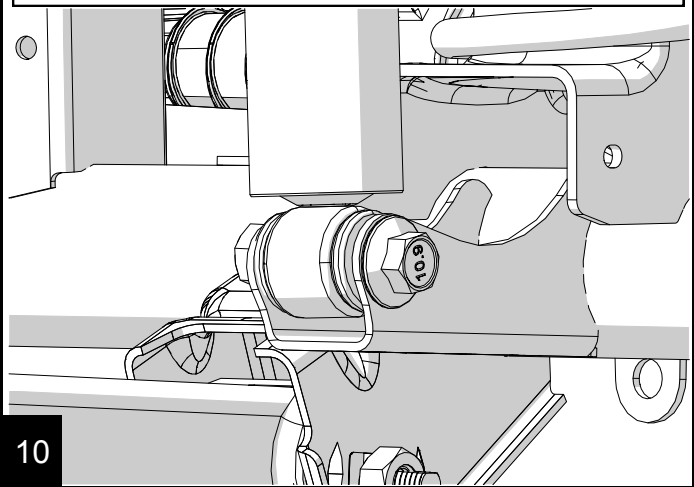
Reinstall the springs and spacer together. Install the pad mounting bolt and tighten.



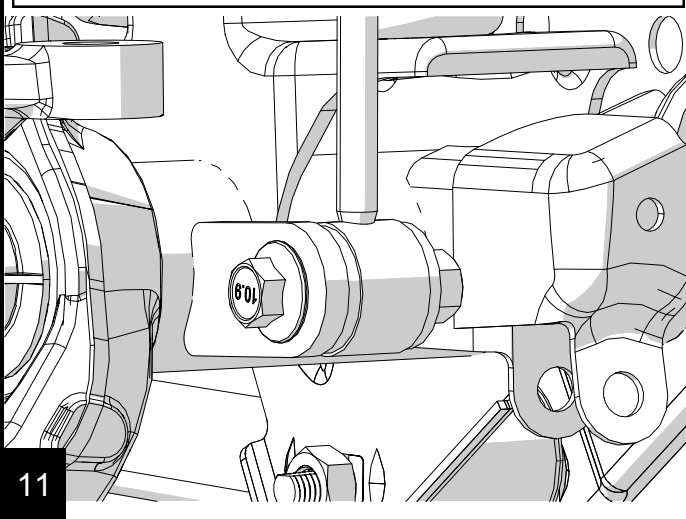
For Speedbump applications, install the bolt through the bumpstop with the nut below the spring pad.



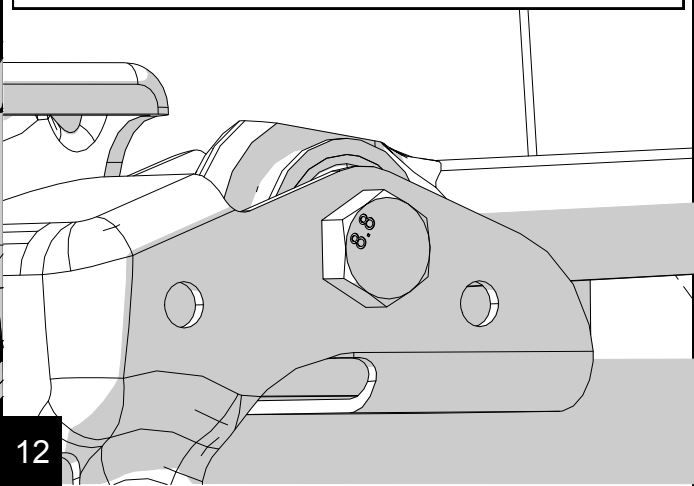
Reinstall the shocks. (See 999207 Shocks/Front/Installation)
Torque lower bolt to 56 ft-lbs.



Reconnect the swaybar links to the axle. Torque to 75 ft-lbs.



Reinstall the tires, remove supports and lower to the ground.
Reinstall the front trackbar. (See Front Trackbar/Installation)

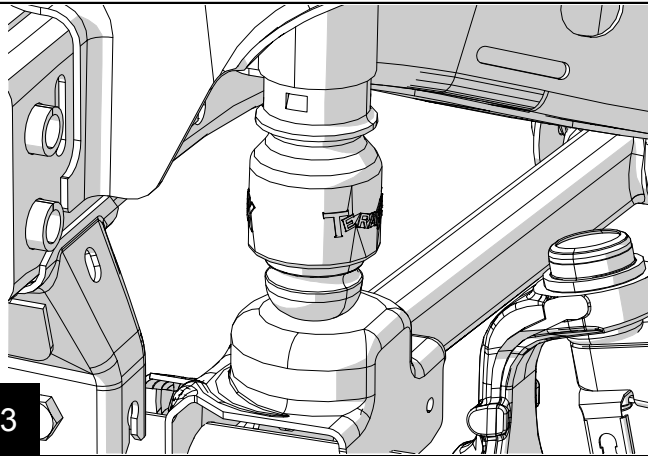


UPPER INSTALLATION

Park the vehicle on a level surface and set the parking brake. Raise the vehicle and support the frame to allow axle droop. Support the axle with a hydraulic jack. Remove the wheels and tires.

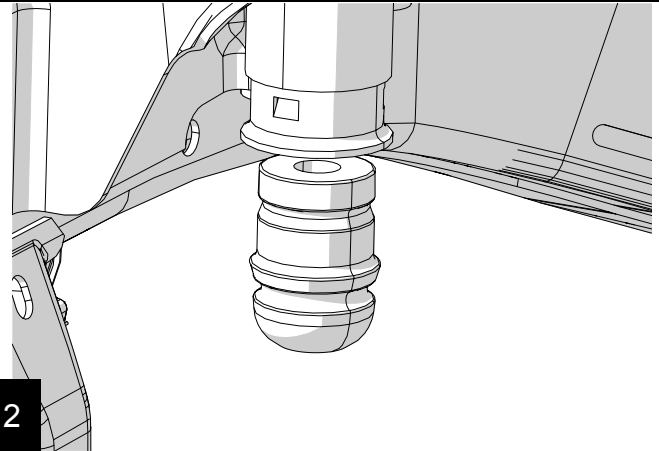
1

Reinstall the bumpstop by aligning the bumpstop, extension, and jounce tube. Use the hydraulic jack and raise the axle until they are seated together. A grease coating will help.



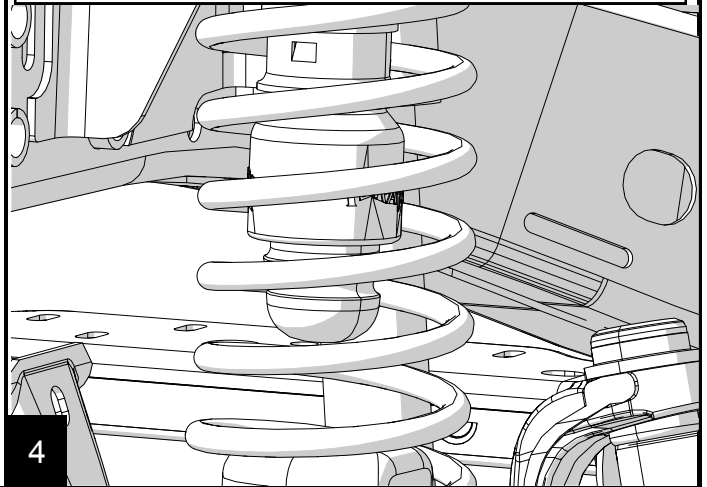
3

Perform steps 2-5 of the lower instructions. Then remove the factory bumpstop from the jounce tube by working it back and forth while twisting and pulling to the side.



2

Reinstall the spring and perform steps 10-12 of the lower instructions.



4



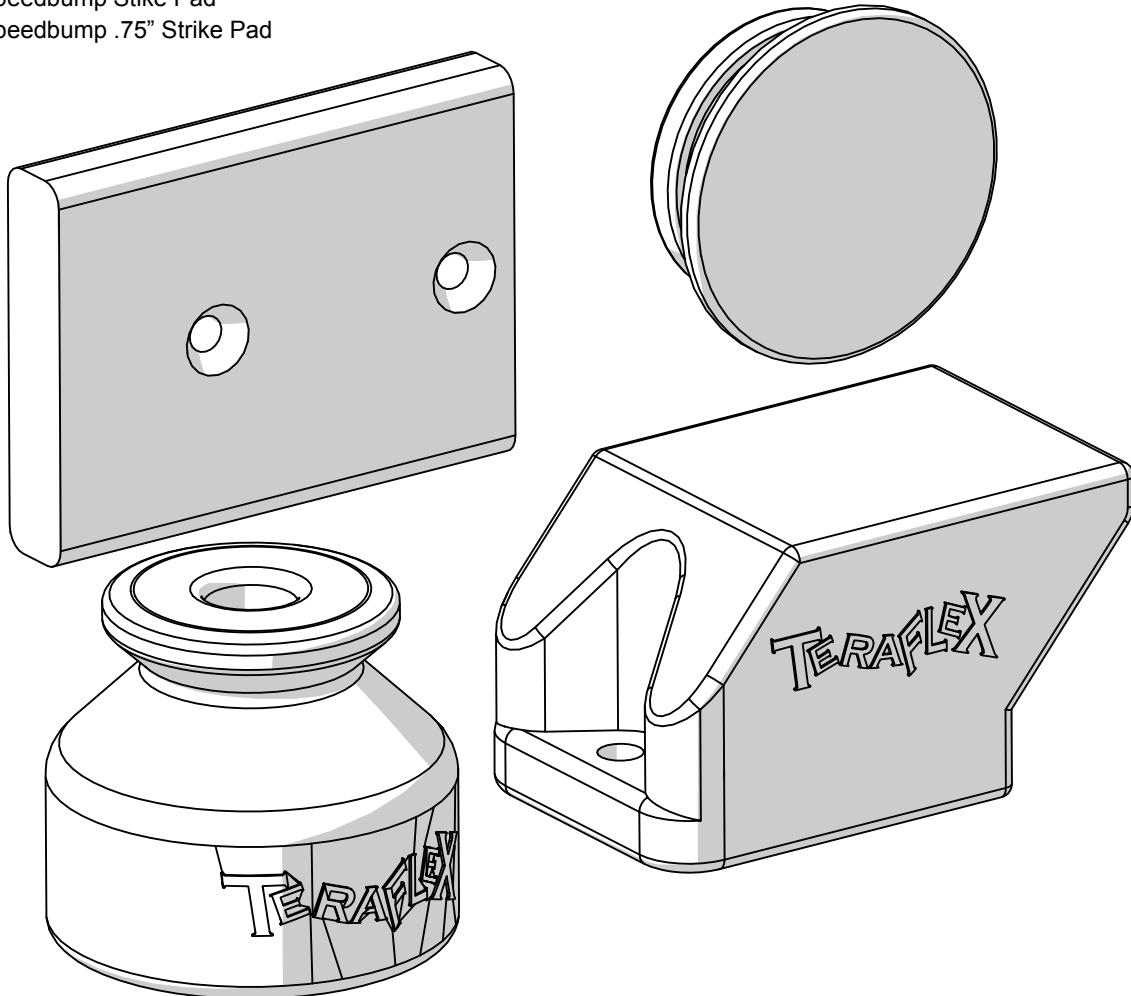
JK Rear Bumpstop Extensions

#1954802 Upper 2" Tall

#1954700 Lower 2.75" Tall

#1992000 Speedbump Strike Pad

#1954600 Speedbump .75" Strike Pad



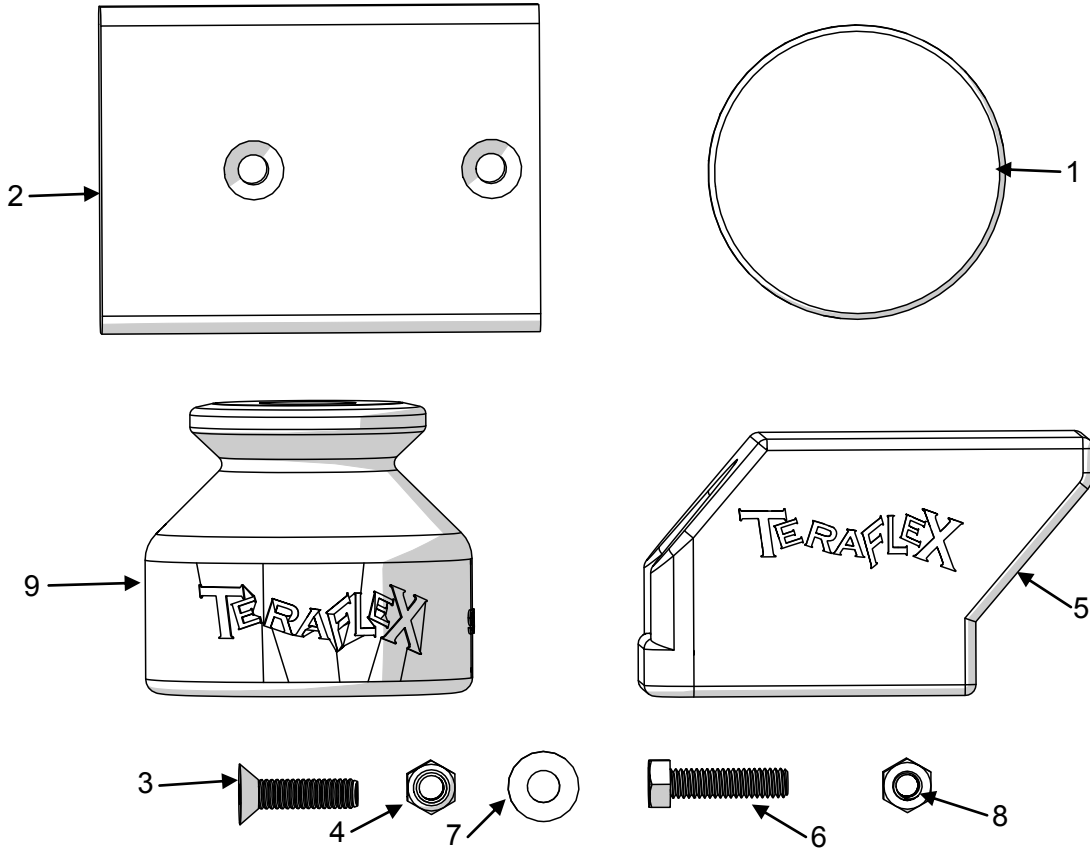
Important Notes:

Prior to beginning this or any installation read these instructions to familiarize yourself with the required steps and evaluate if you are experienced and capable to personally perform these modifications. A factory service manual should be used in conjunction with these installation instructions.

Refer to the parts list to ensure that all necessary components and hardware has been included. If any parts are missing please contact your local TeraFlex dealer for assistance.

Tools needed:

- This installation guide
- Basic mechanics tool set



Parts List- Kit #1992000			
Item Number	Part Number	Description	Quantity
1	992000	Upper Speedbump Strike Pad	2

Parts List- Kit #1954600			
Item Number	Part Number	Description	Quantity
2	954600	JK Rear Lower Bumpstop .75" Tall	2
3	179	Bolt 5/16"-18x1.25" Flat Socket Head	4
4	630	Nut 5/16"-18 Nylock	4

Parts List- Kit #1954700			
Item Number	Part Number	Description	Quantity
5	954700	JK Rear Lower Bumpstop 2.75" Tall	2
6	153	Bolt 5/16-18x1.25" Hex Head	4
7	38	Washer 5/16" Flat	8
8	632	Nut 5/16"-18 Stover Locknut	4

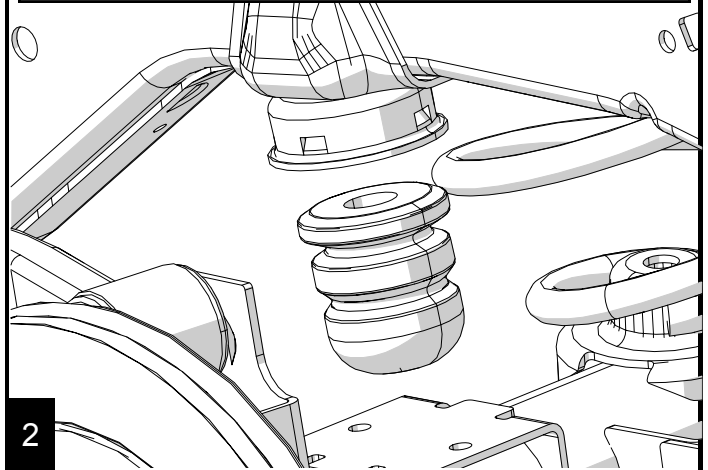
Parts List- Kit #1954802			
Item Number	Part Number	Description	Quantity
9	954802	JK Rear Upper Bumpstop Extension 2"	2

UPPER INSTALLATION

Refer to the factory service manual for lift locations. Raise and support the vehicle. Remove the tires and wheels and support the axle with a jack or jack stands.

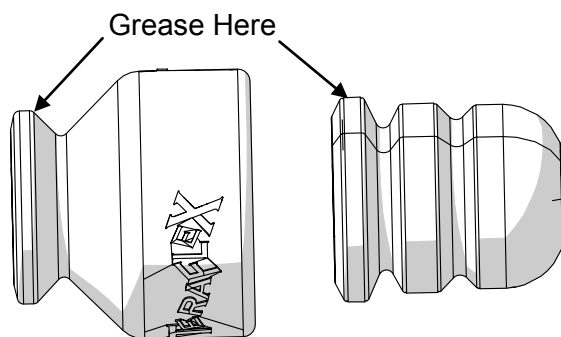
1

Remove the factory bumpstop from the cup on the frame by working it back and forth while twisting a puling to the side.



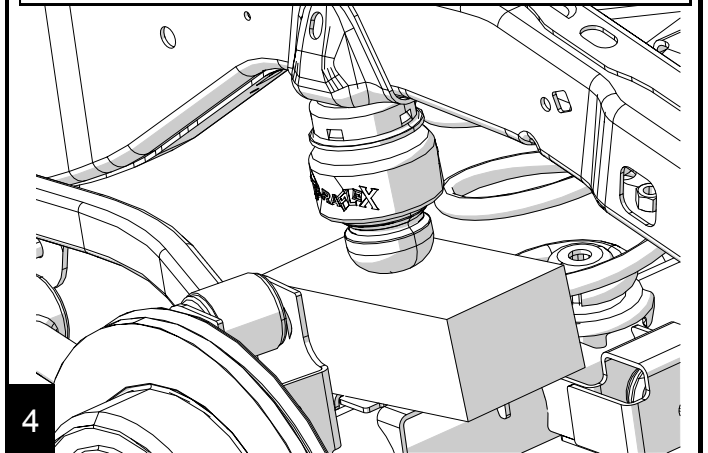
2

Apply grease to the bumpstop and the extension. Or just the strike pad.



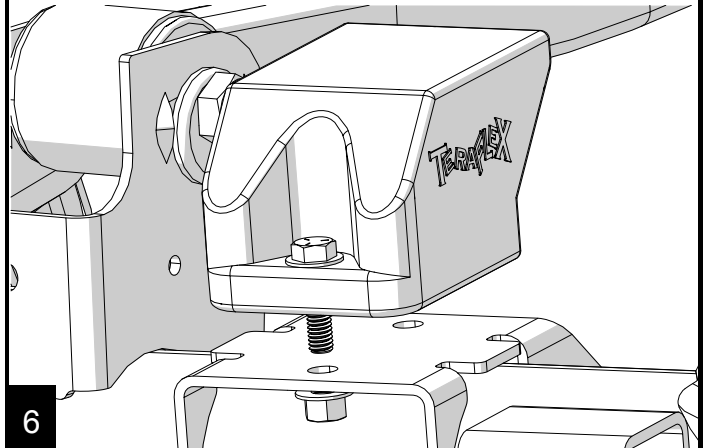
3

Align the bumpstop, extension and frame cup. Place a block between the frame and the axle bump pad. Raise the axle with a jack until the bumpstop and extension seat.



4

Align the extension on the factory pad with the "shelf" towards the front of the vehicle. Install the provided bolts with washers into the two holes. Torque to 25 ft-lbs.



6

LOWER INSTALLATION

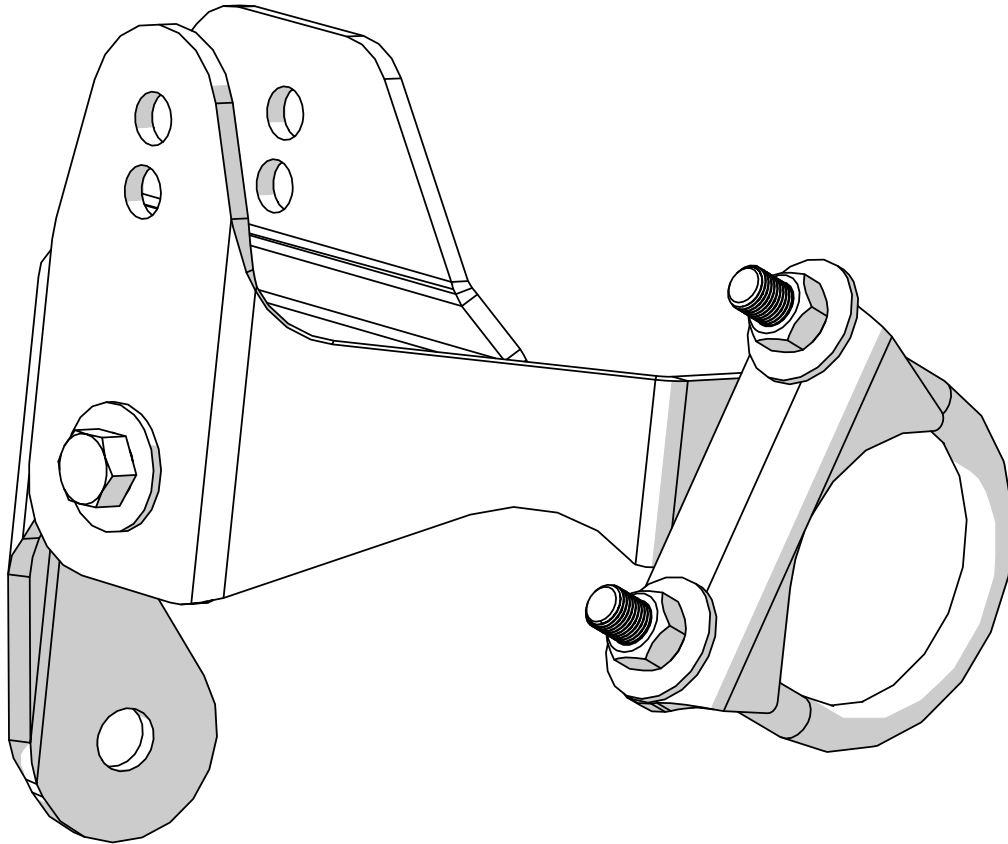
Park the vehicle on a level surface and set the parking brake. This installation can be done with the vehicle on the ground. Installation is the same for the Speedbump lower strike pad.

5



JK Rear Axle Track Bar Bracket

Kit #1954776 for 2.5" lift
Kit #1954777 for 3"-6" lift



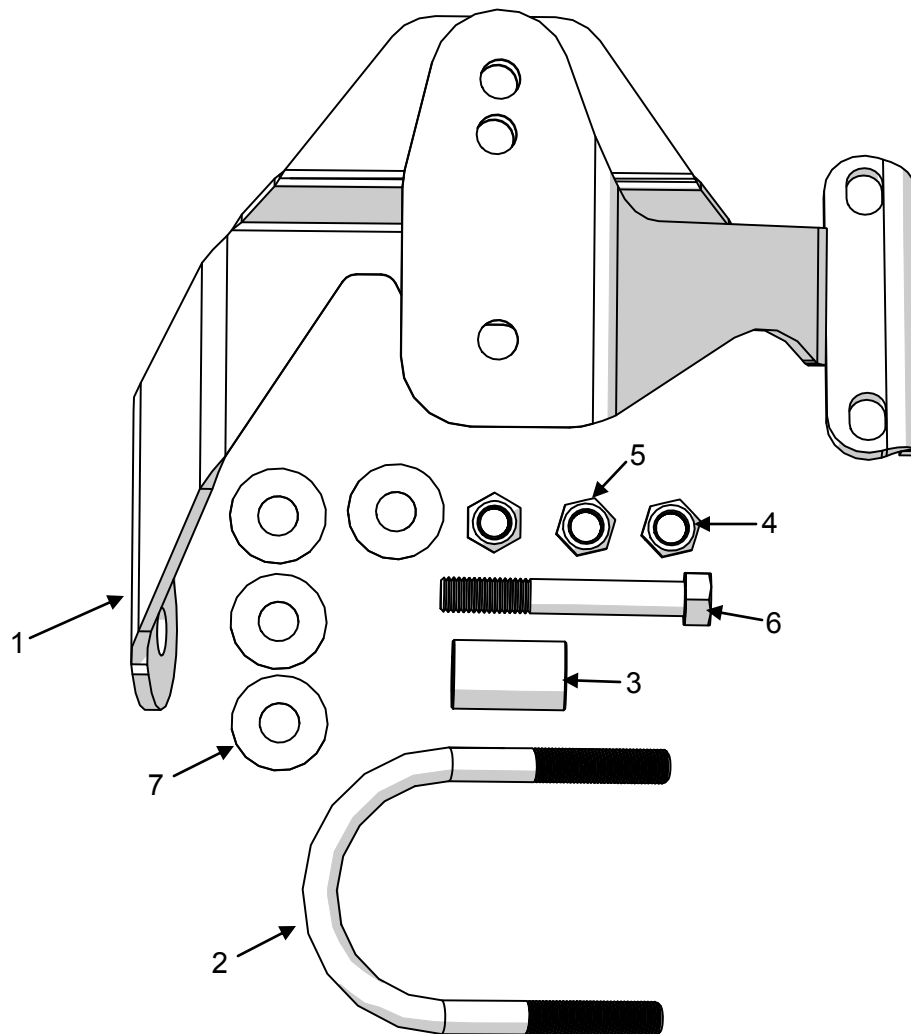
Important Notes:

Prior to beginning this or any installation read these instructions to familiarize yourself with the required steps and evaluate if you are experienced and capable to personally perform these modifications. A factory service manual should be used in conjunction with these installation instructions.

Refer to the parts list to ensure that all necessary components and hardware has been included. If any parts are missing please contact your local TeraFlex dealer for assistance.

Tools needed:

- This installation guide
- Basic mechanics tool set



Parts List

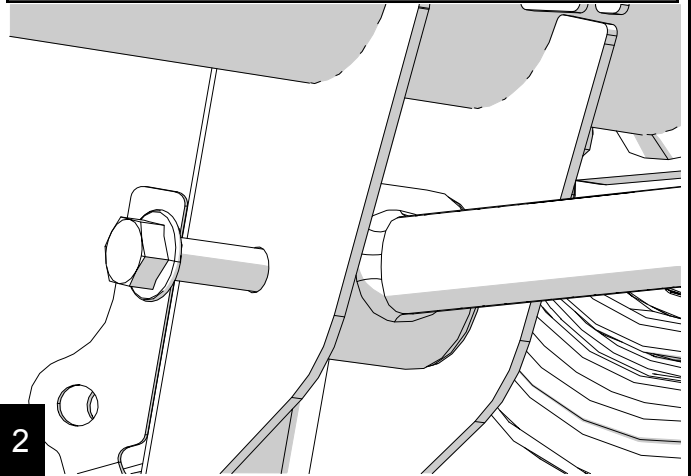
Item Number	Part Number	Description	Quantity
1	954776	JK Rear Trackbar Bracket 2.5"	1
	954777	JK Rear Trackbar Bracket 3"-6"	
2	97732	Bracket U-Bolt	1
3	600513	Spacer Sleeve	1
4	214	Nut 1/2"-13 Stover Locknut	1
5	215	Nut 1/2"-20 Stover Locknut	2
6	242	Bolt 1/2"-13x3.5" Hex Head	1
7	37	Washer 1/2" Flat	4

REMOVAL

Properly raise and support the vehicle. See the factory service manual for proper support locations. Remove the left tire.

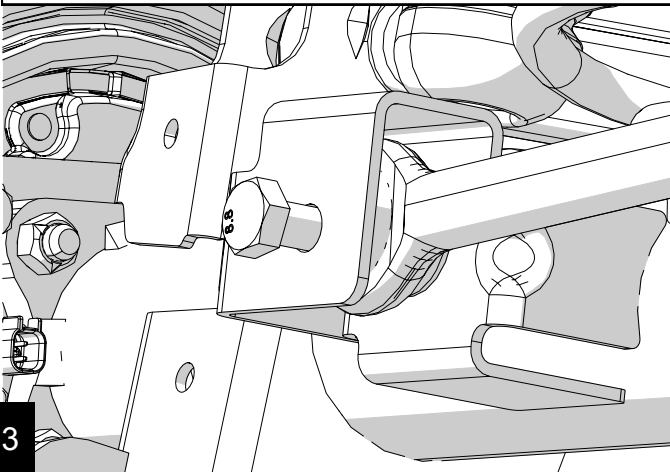
1

Remove the left lower control arm bolt at the axle end with a 21mm.



2

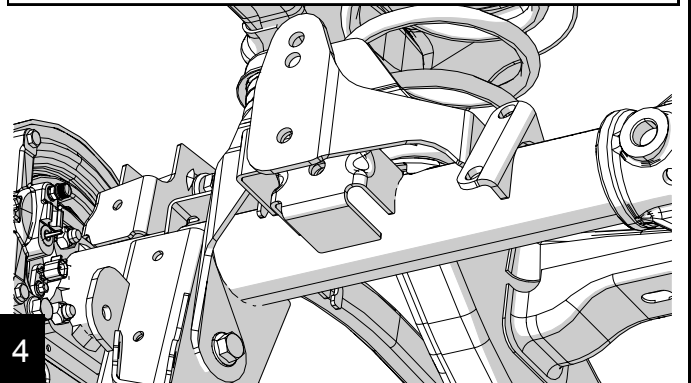
Remove the trackbar from the axle bracket with a 21mm. The nut is a flag nut.



3

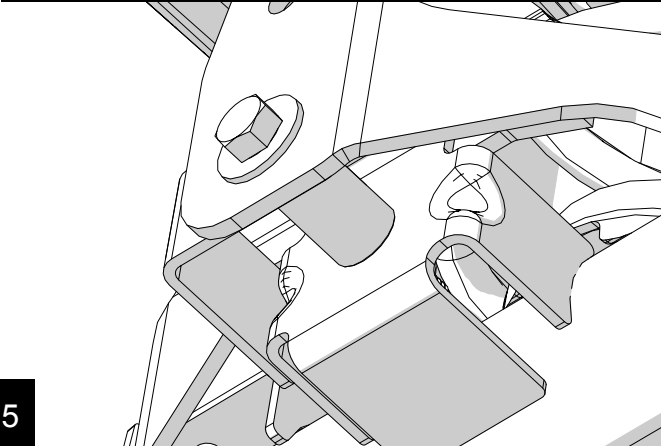
INSTALLATION

Position the TeraFlex bracket so it installs over the factory bracket and lines up with the lower control arm bolt. Reinstall the control arm bolt finger tight.



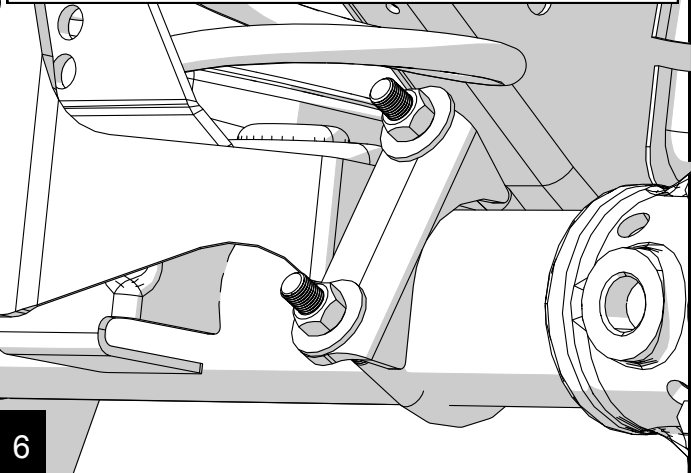
4

Use the provided sleeve as a spacer and install the 1/2"x3.5" bracket bolt with washers on either side and a locknut. Torque to 75 ft-lbs.



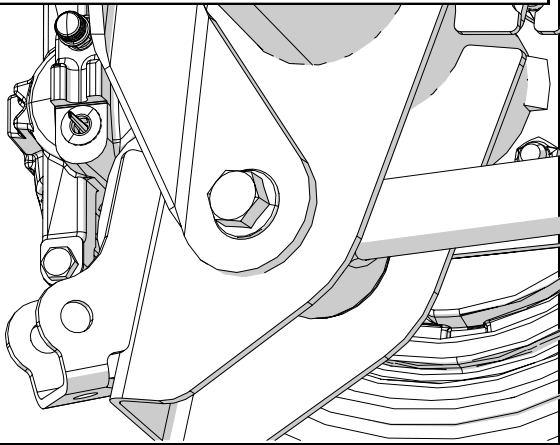
5

Install the u-bolt around the axle and into the bracket. Torque the nuts to 85 ft-lbs.



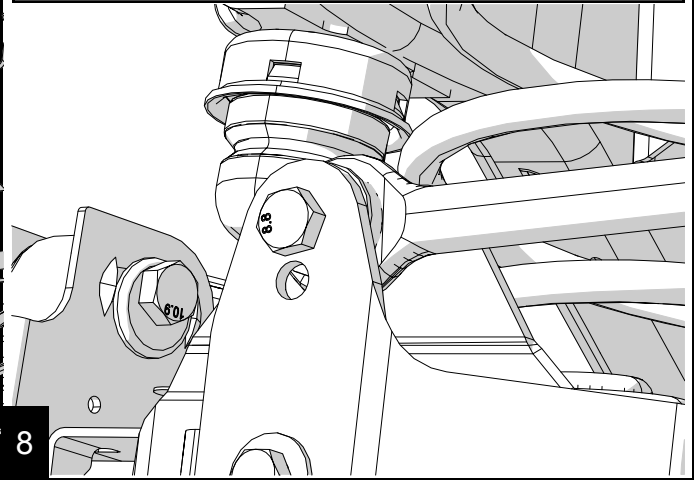
6

Torque lower control arm bolt to 125 ft-lbs. Reinstall the tires and torque the lug nuts to 90-115 ft-lbs. Remove supports and lower.



7

Reinstall the trackbar into the bracket using the upper hole and the factory hardware. Torque to 125 ft-lbs.



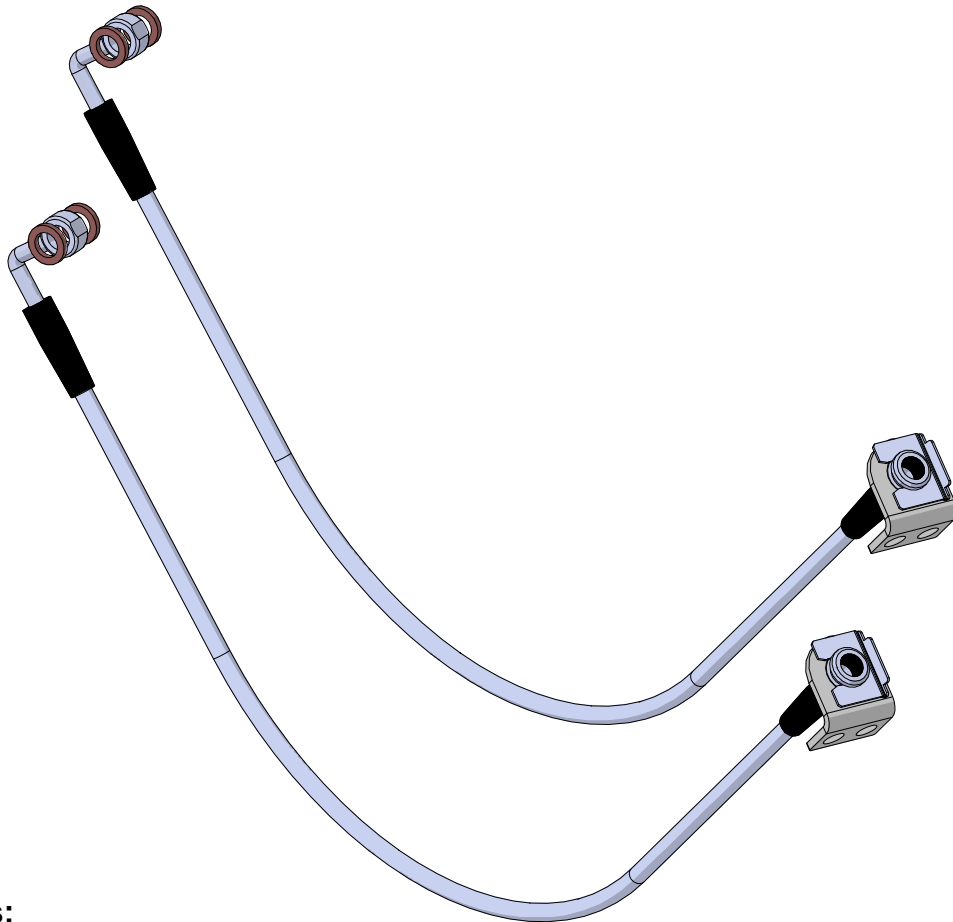
8



JK Extended Brake Lines

Kit #4353310– Front Lines Only

Kit #4350310– Rear Line Only



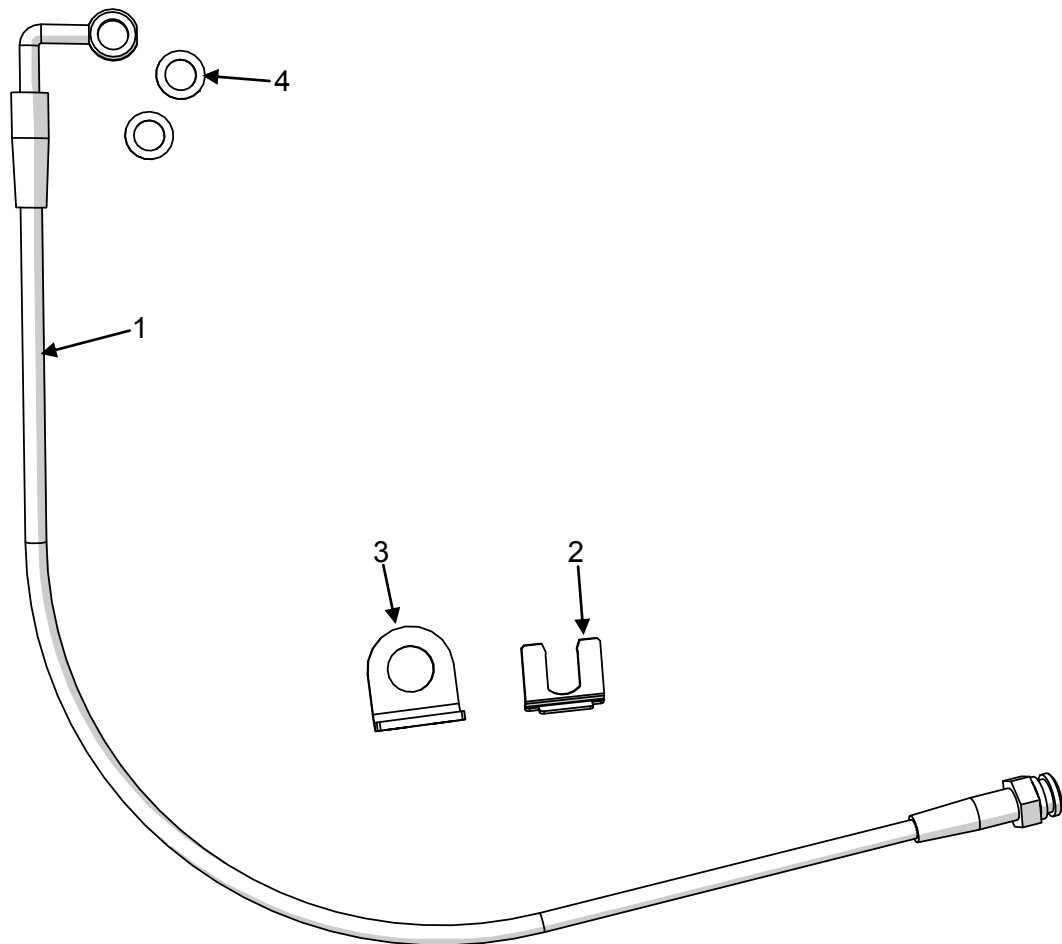
Important Notes:

Prior to beginning this or any installation read these instructions to familiarize yourself with the required steps and evaluate if you are experienced and capable to personally perform these modifications. A factory service manual should be used in conjunction with these installation instructions.

Refer to the parts list to ensure that all necessary components and hardware has been included. If any parts are missing please contact your local TeraFlex dealer for assistance.

Tools needed:

- This installation guide
- Basic mechanics tool set



Parts List - 4353310 JK Extended Front Brake Lines

Item Number	Part Number	Description	Quantity
1	4353300	Brake Line Front Pair 26" w/ 90 Degree	2
2	600441	L-Bracket Brake Line Retaining Clip	2
3	8621	L-Bracket Brake Line Frame Mount	2
4	86291	Washer 3/8" Copper Banjo Bolt Washer	4

Parts List - 4350310 JK Extended Rear Brake Lines

Item Number	Part Number	Description	Quantity
1	4353300	Brake Line Rear Pair 30" w/ 90 Degree	2
2	600441	L-Bracket Brake Line Retaining Clip	2
3	8621	L-Bracket Brake Line Frame Mount	2
4	86291	Washer 3/8" Copper Banjo Bolt Washer	4

FRONT REMOVAL

Park the vehicle on a level surface and set the parking brake. This installation can be done with the vehicle on the ground. Turn the tires to gain better access to brake components. Separate the ABS line from the brake line.

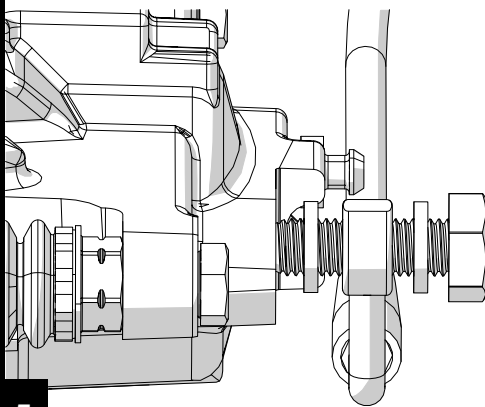
1

Remove the soft line from the hard line with a 12mm then remove the brake line from the frame with a 10mm.



3

Place a new copper washer on the banjo bolt and insert through the end of the brake line. Place another copper washer between the fitting and the caliper.



5

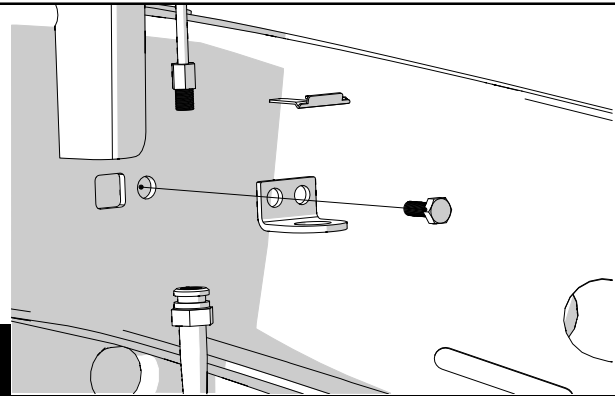
Remove the banjo bolt from the caliper with a 9/16". Use a pan to catch the released fluid.



2

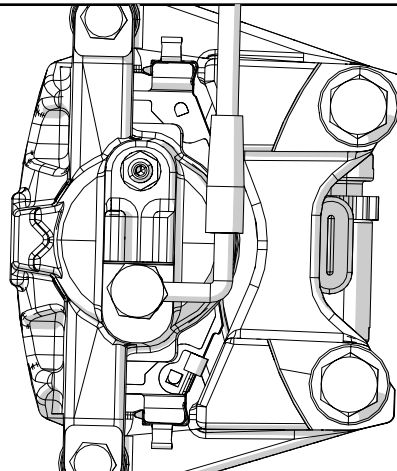
FRONT INSTALLATION

Mount the new L bracket to the frame with the original bolt. Insert the new line through the bracket. Hand tighten the hard line into the new line.



4

Orient the line as shown on the caliper. Torque banjo bolt to 23 ft-lbs.



6

Make sure the brake lines will not snag on any components as the suspension cycles and steering moves. Torque hard line connection to 14 ft-lbs and install the retainer clip. If only replacing front lines, bleed brakes according to standard procedure.



7

REAR REMOVAL

Refer to the factory service manual for lift locations. Raise and support the vehicle. Remove the tires and wheels and support the axle with a jack or jack stands.

8

Remove the banjo bolt from the caliper with a 9/16". Use a pan to catch the released fluid.



9

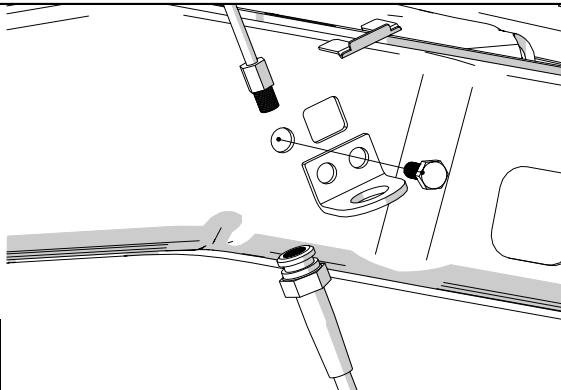
Remove the brake line from the hard line with a 12mm. Remove the line from the frame with a 10mm.



10

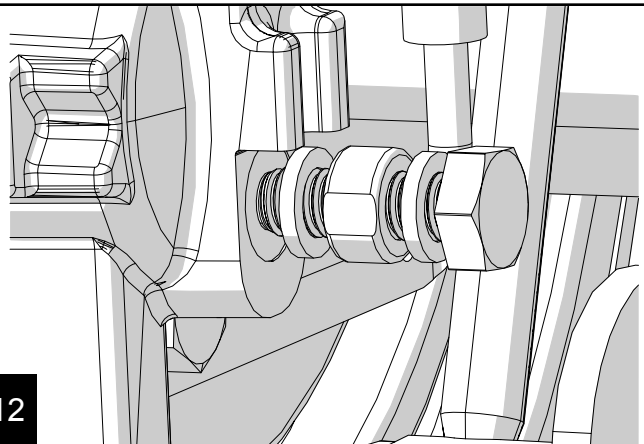
REAR INSTALLATION

Install the new L bracket onto the frame with the original bolt. Insert the new line through the bracket. Hand tighten the hard line into the new line.



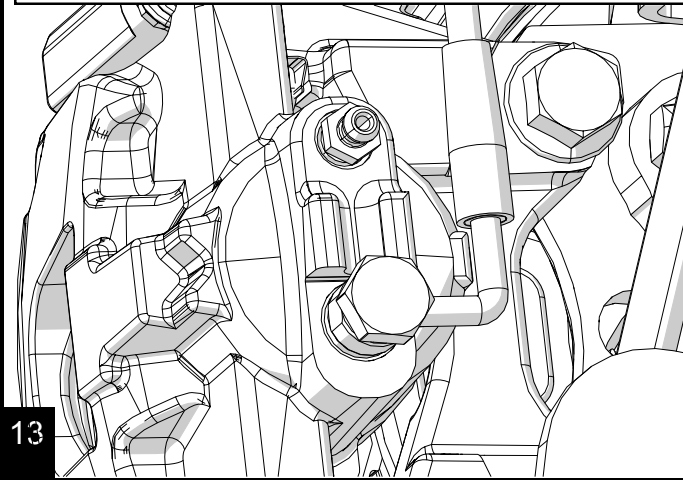
11

Place a new copper washer on the banjo bolt and insert through the end of the brake line. Place another copper washer between the fitting and the caliper.



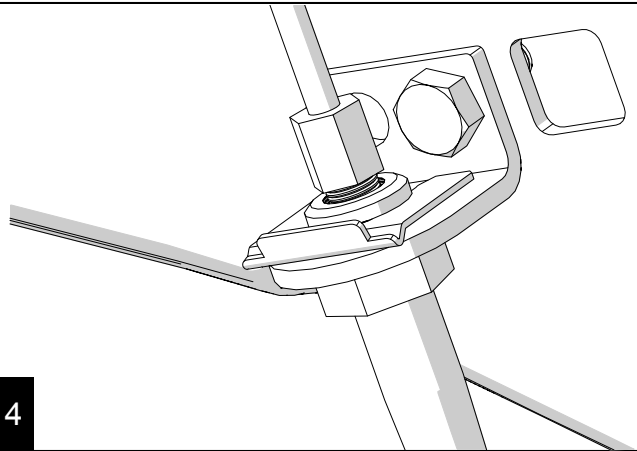
12

Orient the line as shown on the caliper. Torque banjo bolt to 23 ft-lbs.



13

Be sure that the new brake line will not rub the tire or other components as the suspension cycles. Torque hard line connection to 14 ft-lbs. Install the retainer clip.



14

Bleed the brakes according to standard procedure. Starting with the rear right tire, the right to left, back to front.

15



JK FRONT SWAY BAR QUICK DISCONNECTS



#1753000

#1753010

#1756000

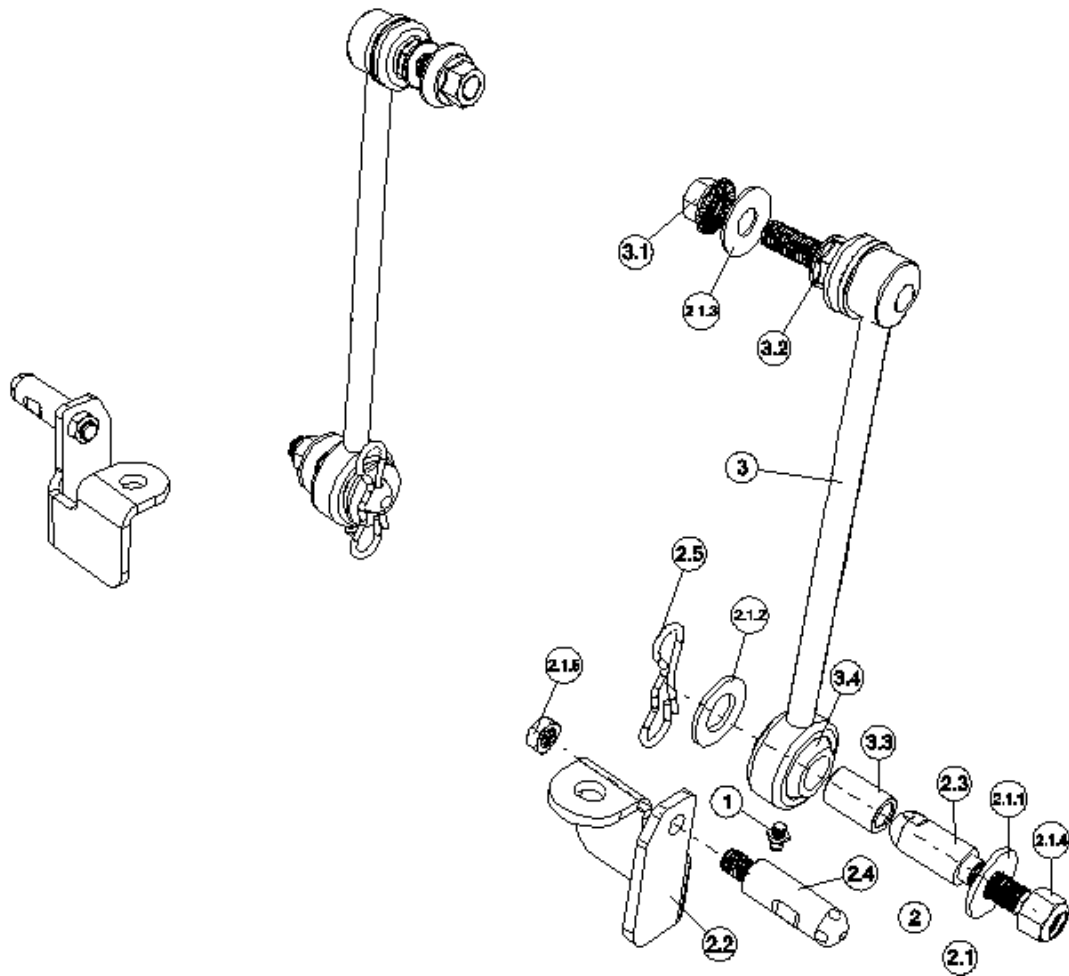
Important Notes:

Prior to beginning this or any installation read these instructions to familiarize yourself with the required steps and evaluate if you are experienced and capable to personally perform these modifications. A factory service manual should be used in conjunction with these installation instructions.

Refer to the parts list to ensure that all necessary components and hardware has been included. If any parts are missing please contact your local TeraFlex dealer for assistance.

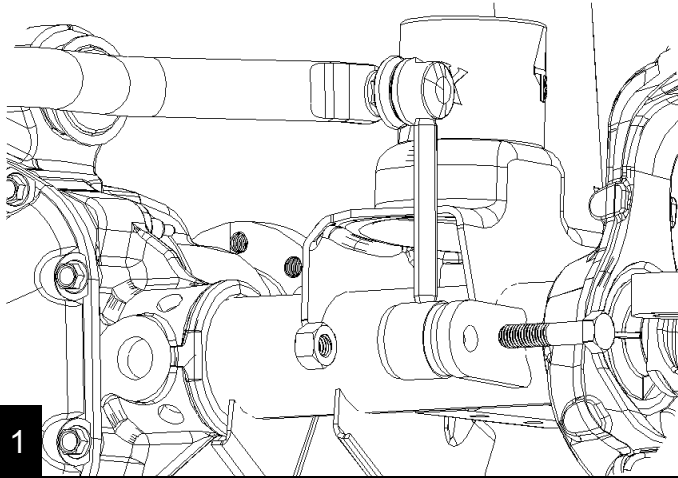
Tools needed:

- Basic Mechanic's Tool Set
- Thread Locking Compound

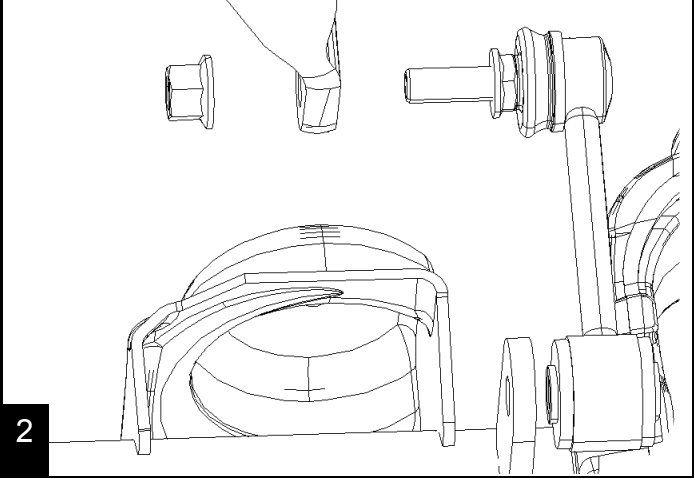


BOM ID	Part Number	Description	Qty
1	308	Grease Zerk 1/4"-28 UNF Straight	2
2	600093	Hardware JK Quick Disconnect	1
2.1	5021	Hardware Pack for JK Quick Disconnect	1
2.1.1	37	Washer 1/2" Flat Zinc Plated	2
2.1.2	380	Washer 3/4" Flat Zinc Plated for QD Link Pin	2
2.1.3	477	Washer 7/16" Flat Stainless Steel	2
2.1.4	488	Nut 1/2"-20 UNF Stainless Nylock for QD4 SS	2
2.1.5	73	Nut 3/8"-16 UNC Thin Jam Nut JK QD	2
2.2	600277	JK Quick Disconnect Retainer Bracket for Upper Frame	2
2.3	600499	Universal 3/4" Diameter Axle Side Quick Disconnect Stud	2
2.4	600503	5/8" Diameter Upper Quick Disconnect Parking Stud	2
2.5	600504	Quick Disconnect Bow Tie Pin	2
3	753005 -or- 753006 -or- 753020	JK 3"-4" Front Quick Disconnect Swaybar Link w/ Upper Swivel Stud JK 0"-3" Front Quick Disconnect Swaybar Link w/ Upper Swivel Stud JK 6" Front Quick Disconnect Swaybar Link w/ Upper Swivel Stud	2
3.1	204	Nut M12 x1.75P Serrated Flanged Distorted Thread Lock Nut	2
3.2	213	Nut M12x1.75P Zinc Coated Flanged Thin Nut	2
3.3	600486	JK Swaybar Link Sleeve 3/4" OD x 12mm ID x 1-1/8 Long	2
3.4	600498	Quick Disconnect Bushing Ball	2

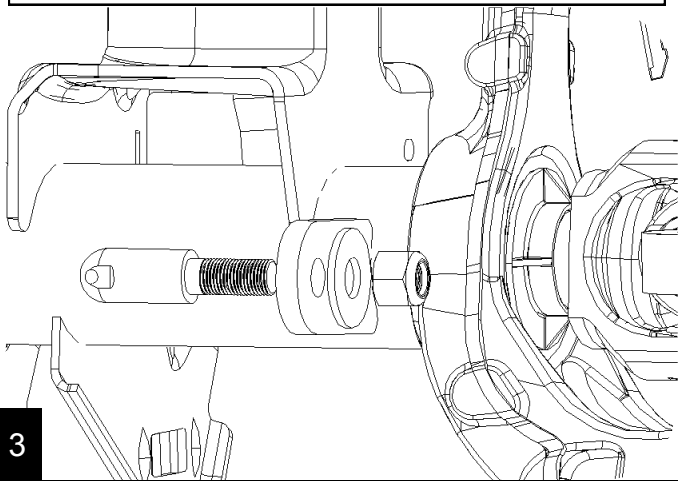
Remove the factory sway bar link.



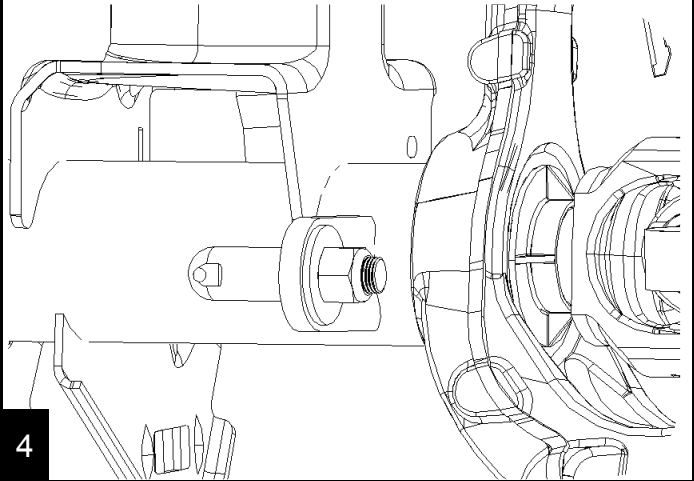
Save the nut from the upper stud of the factory link



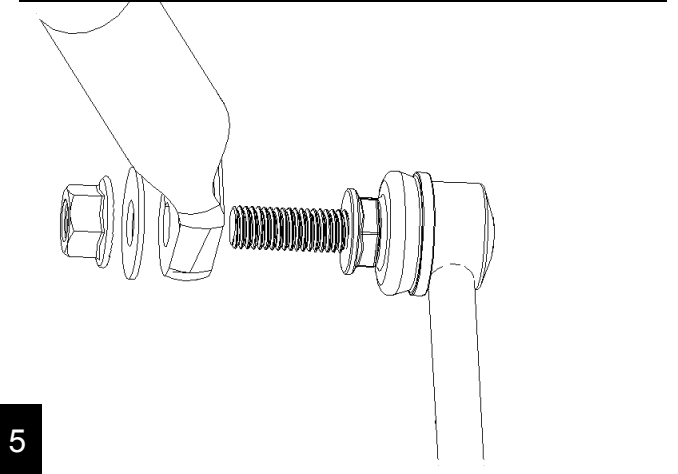
Insert 2.3 into axle bracket as shown. Place 2.1.1 and 2.1.4 on 2.3. (Use thread locking compound)



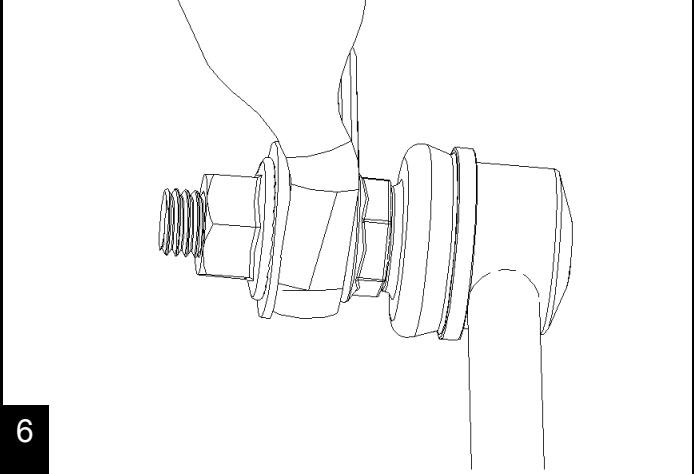
Torque 2.1.4 to 75 ft-lbs



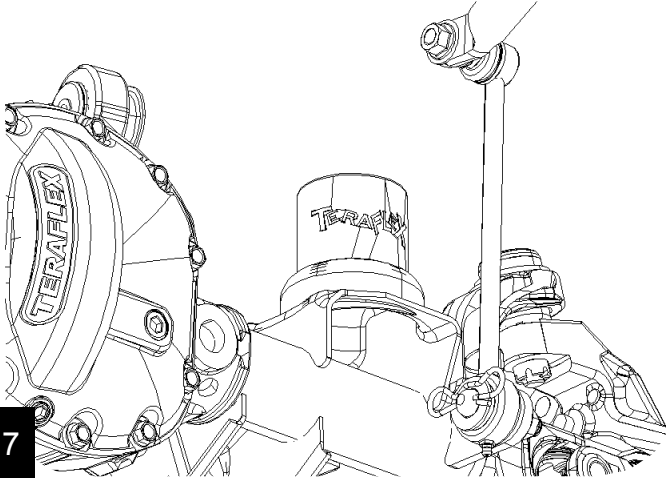
Insert the upper stud of 3 into the factory sway bar. Place 2.1.3 and 3.1 on stud. (use thread locking compound)



Torque 3.1 to 75 ft-lbs

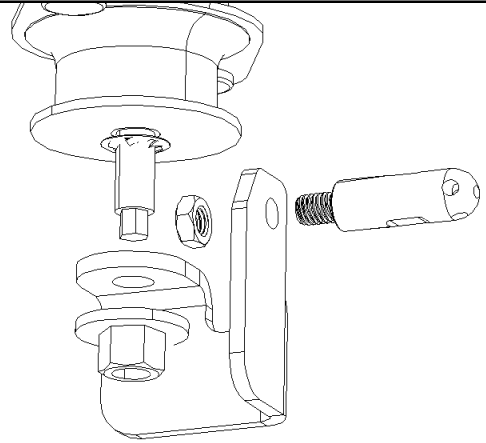


Slide lower end of 3 onto the stud installed in Step 3.
Place 2.1.2 on stud and insert 2.5.



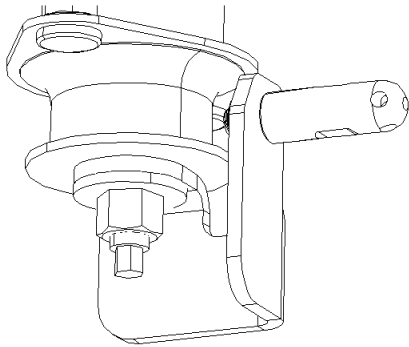
7

Remove the nut from the front body mount. Insert 2.4 into 2.2. Tighten 2.1.5 onto stud as shown. (Use thread locking compound)



8

Slide 2.2 assembly onto the body mount and tighten body mount using nut saved from Step 2. Torque to 75 ft-lb
(Use thread locking compound)



9

Repeat Steps 1 through 9 for the other side.

10



JK Spring Spacers



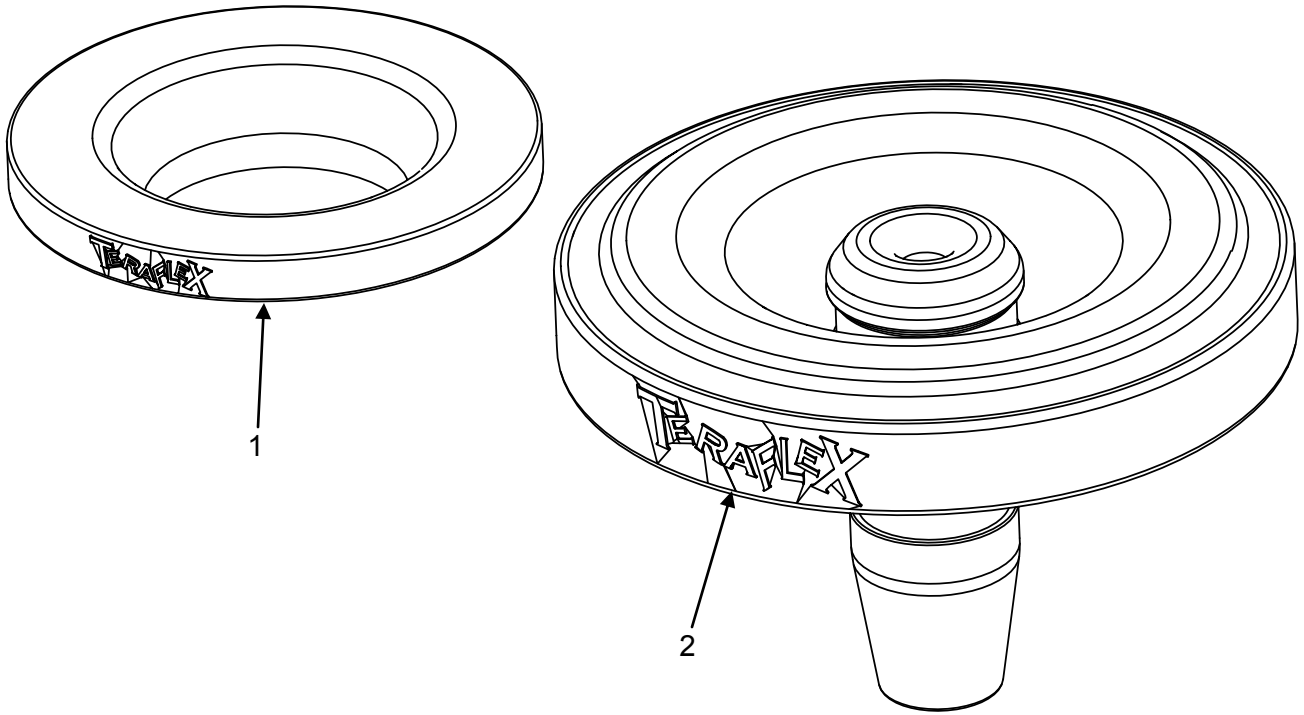
Important Notes:

Prior to beginning this or any installation read these instructions to familiarize yourself with the required steps and evaluate if you are experienced and capable to personally perform these modifications. A factory service manual should be used in conjunction with these installation instructions.

Refer to the parts list to ensure that all necessary components and hardware has been included. If any parts are missing please contact your local TeraFlex dealer for assistance.

Tools needed:

- This installation guide
- Basic mechanics tool set



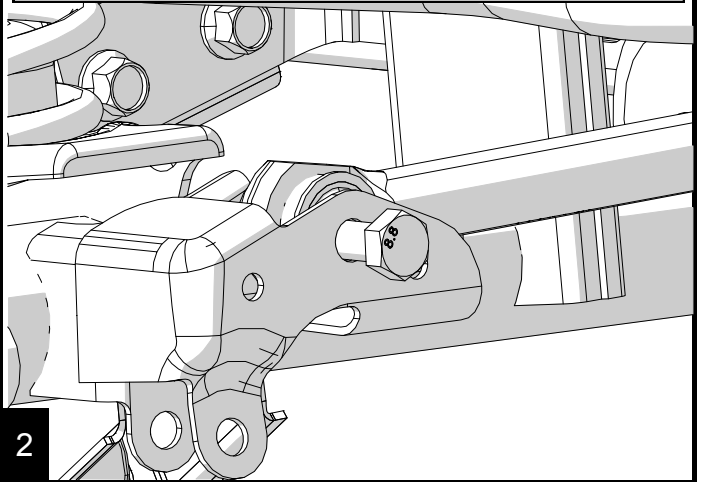
Parts List			
Item Number	Part Number	Description	Quantity
1	1953100	1/2" Front Spring Spacer	1
	1953075	1" Front Spring Spacer	
	1953200	2.5" Front Spring Spacer	
2	1954105	1/2" Rear Spring Spacer	
	1954100	1" Rear Spring Spacer	
	1954200	2" Rear Spring Spacer	
	1954205	2.5" Rear Spring Spacer	

FRONT INSTALL

Raise and support the vehicle by the frame so the axles can droop. Remove the wheels and tires. See the factory service manual for safe support locations.

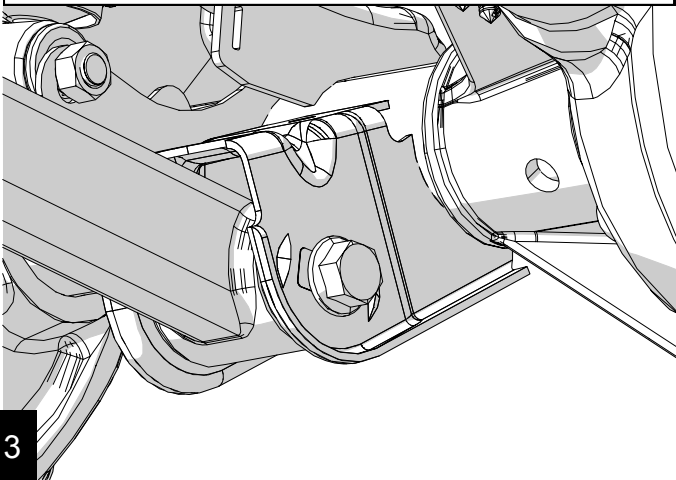
1

Support the front axle and disconnect the track bar at the axle with a 21mm.



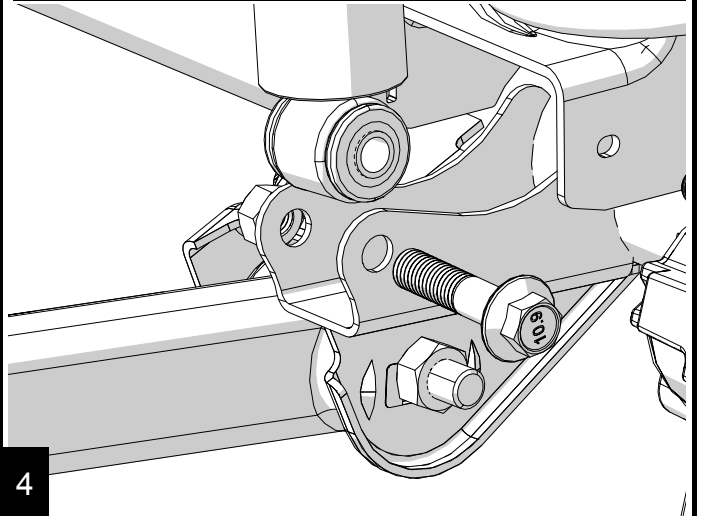
2

Loosen all control arm bolts with a 21mm and an 18mm. DO NOT REMOVE ARMS OR BOLTS.



3

Disconnect the shocks at the axle with an 18mm.



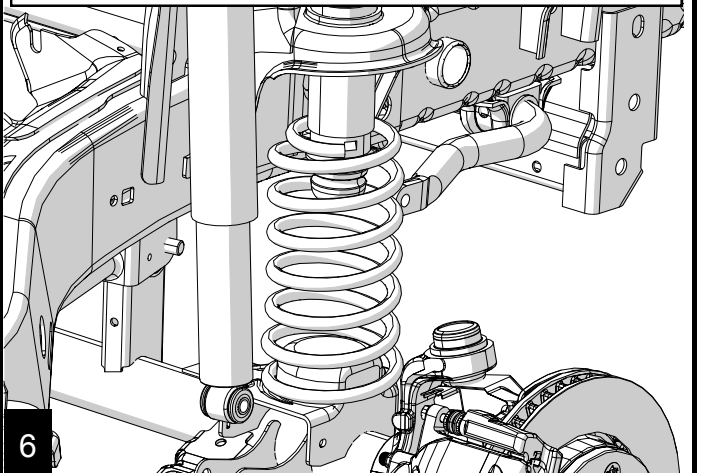
4

Remove the brake line from the axle side brackets by prying them open. Remove the bracket with a 10mm. Lower the axle until the springs can be removed. Do not overstretch the ABS and breather lines.



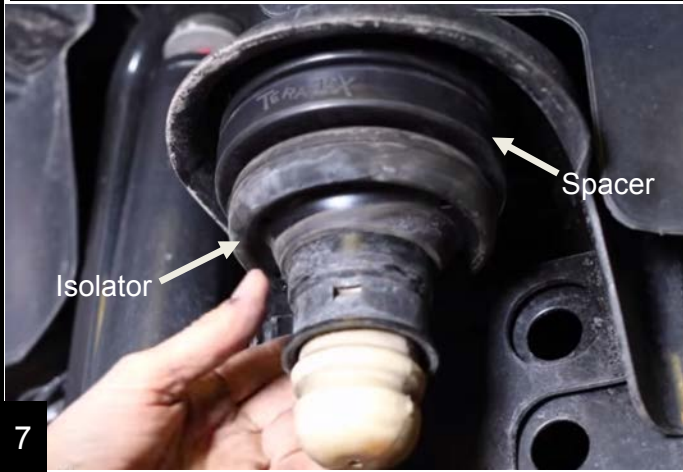
5

Remove the spring and the spring isolator. Some applications require disconnecting the sway bar links.

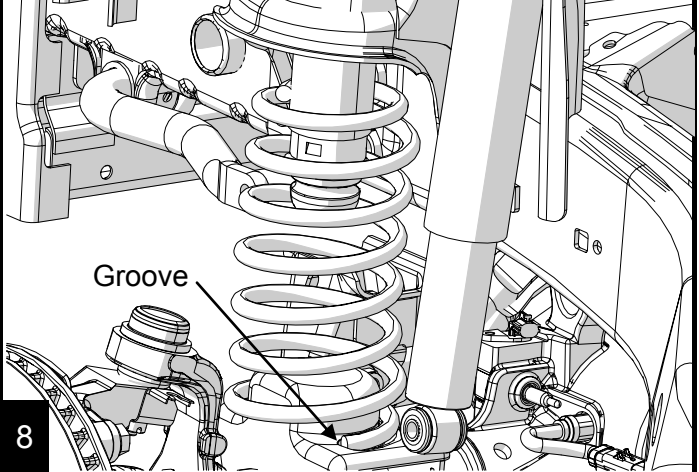


6

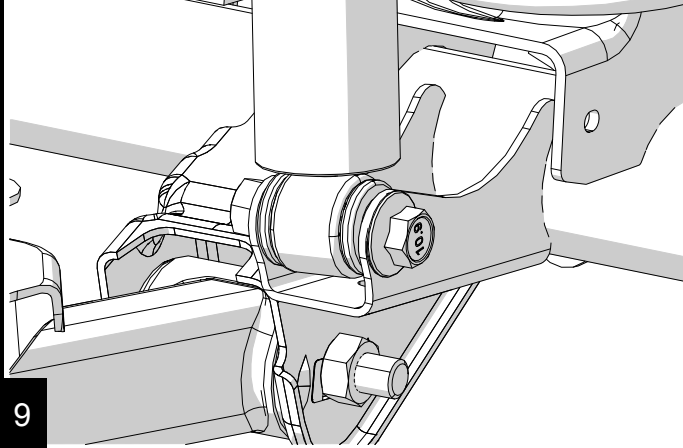
Slide the spacer, then the isolator up the jounce tube, spacer first with the flare facing down.



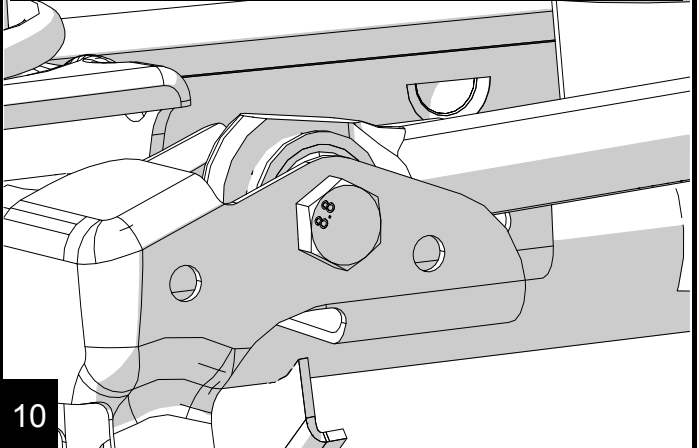
Reinstall the spring. Be sure to seat the bottom of the spring into the groove in the spring pad.



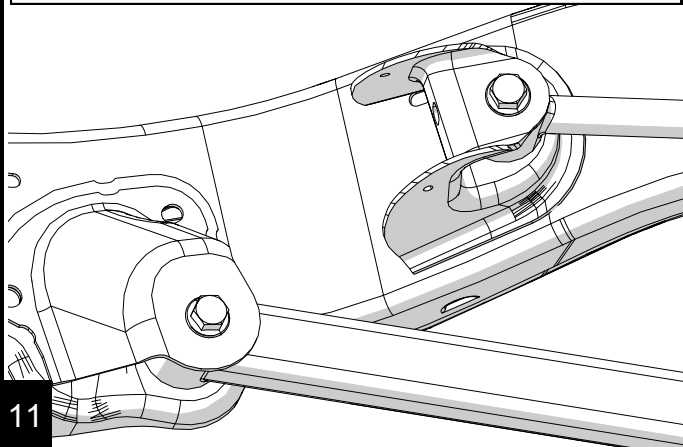
Reconnect the shocks with an 18mm. Torque to 56 ft-lbs (76 Nm). If installing on a lift, proceed to rear step 1 and install the rear spacers.



Reconnect the track bar once the vehicle is on the ground. Torque bolt to 125 ft-lbs (170 Nm) Torque wheel lug nuts to 95-115 ft-lbs (129-155 Nm).

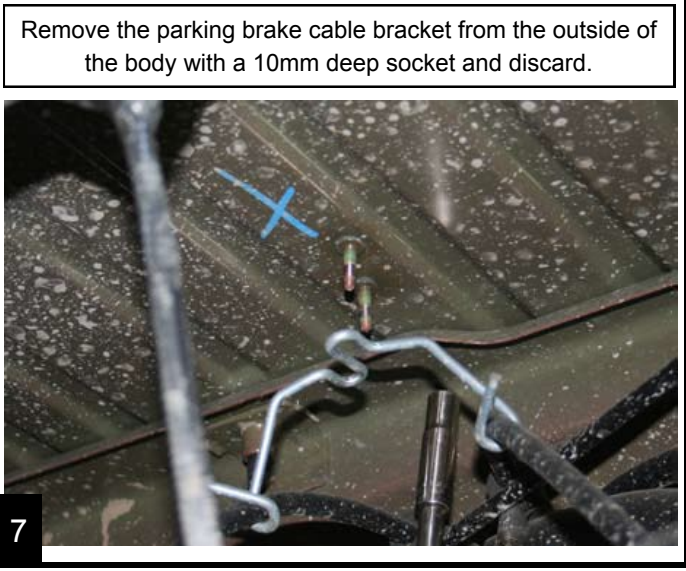
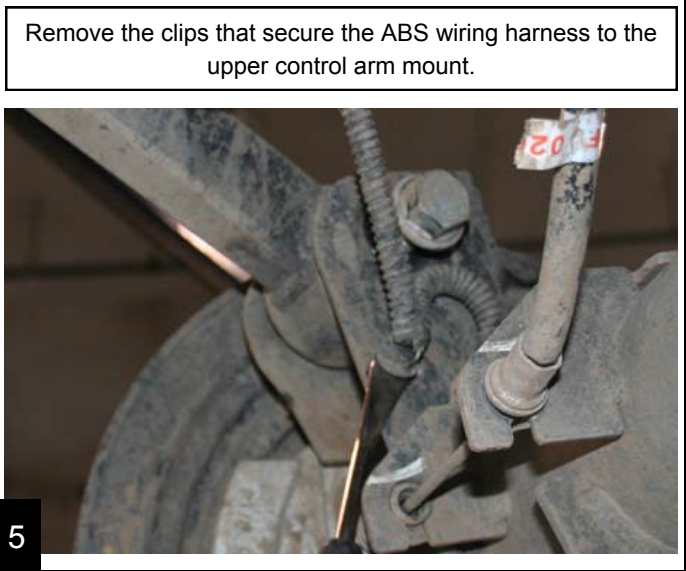
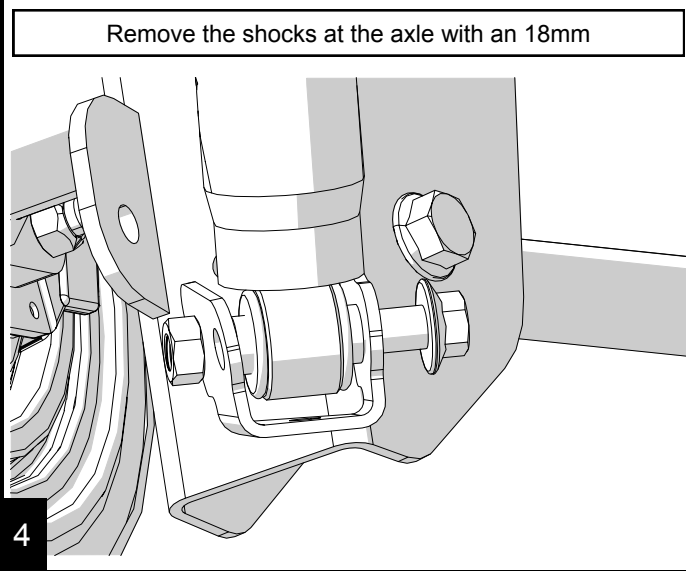
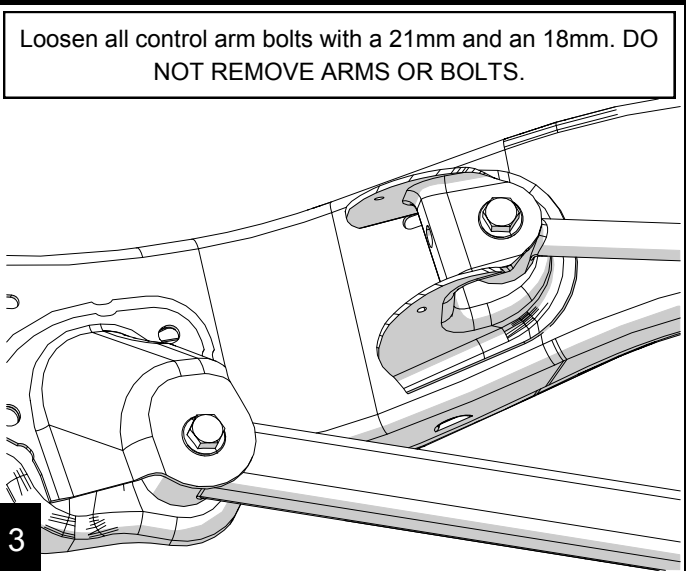
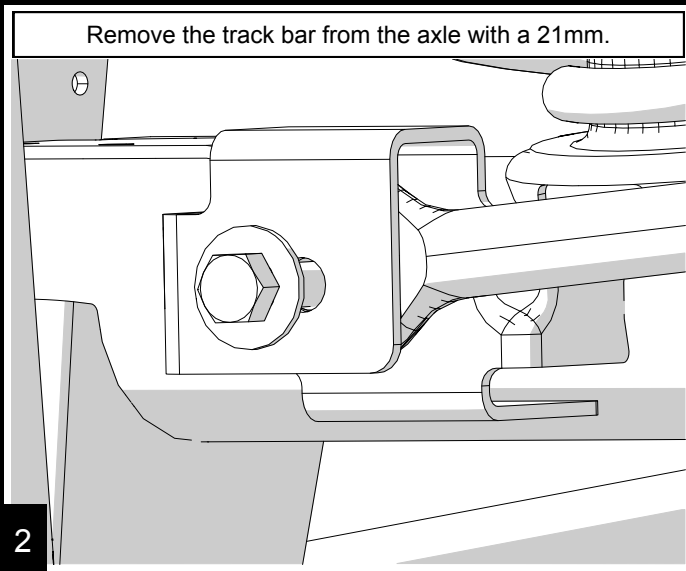


With the jeep on the ground at ride height, torque the upper control arms to 75ft-lbs (102 Nm), the lower control arms to 117 ft-lbs (159 Nm) at the axle and 125 ft-lbs (169 Nm) at the frame.

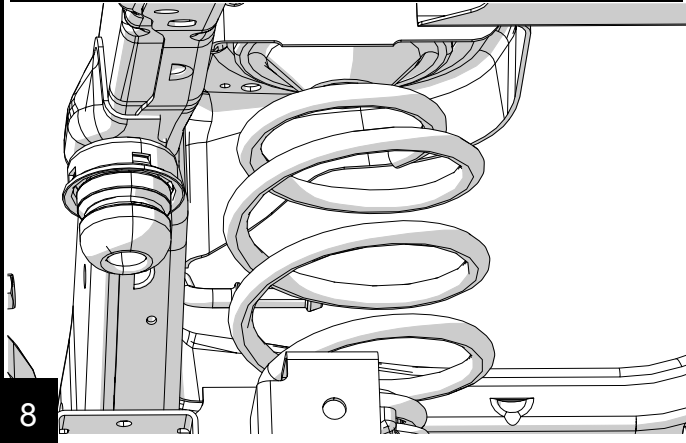


REAR INSTALL
Raise and support the vehicle by the frame so the axles can droop. Remove the wheels and tires. See the factory service manual for safe support locations.

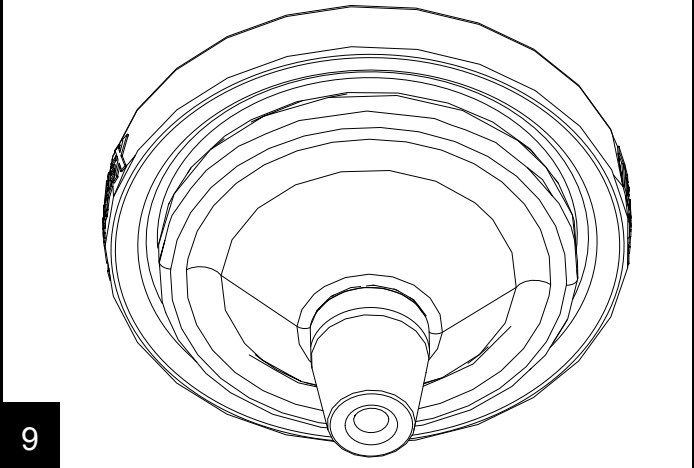
1



Lower the axle and remove the springs. Do not over stretch the ABS, breather and brake lines. Some kits may require disconnecting the rear sway bar links.

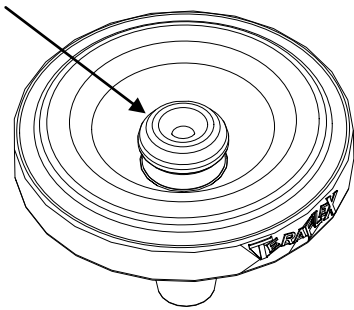


Remove the factory isolator from the upper spring perch and install onto the new spring spacer.

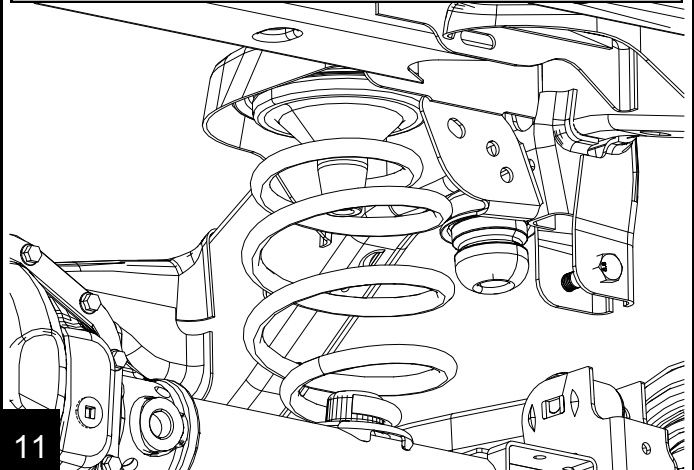


To aid in installation, apply grease to the top of the new spacer. Press the isolator and spacer assembly into the upper spring perch. You can use a piece of wood as a spacer between spring spacer and the axle, then raise the axle to press the spacer in.

Grease Here



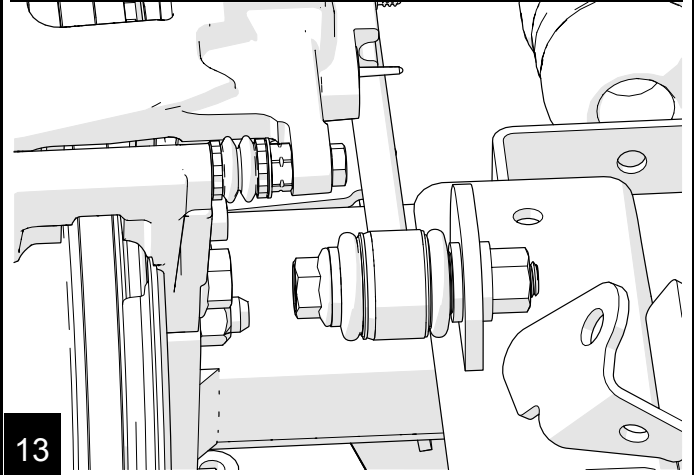
Install the spring. Raise the axle high enough to reinstall the shocks. Torque shock bolts to 56 ft-lbs (76 Nm).



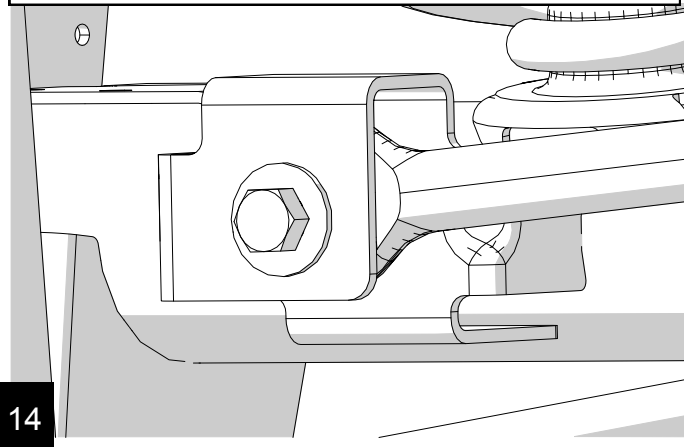
Reinstall the brake lines to the frame. Torque to 84 inch-lbs (9 Nm).



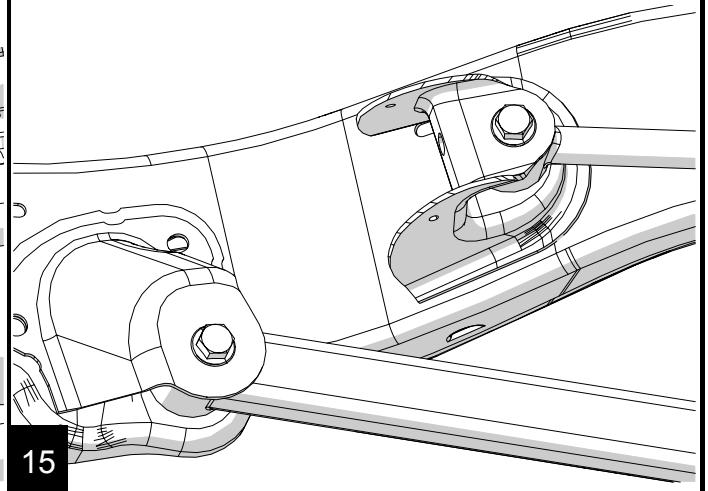
If removed, reconnect the sway bar links. Torque the top stud to 66 ft-lbs (90 Nm) and the lower bolt to 75 ft-lbs (102 Nm).



Reinstall wheels and tires. Lower to the ground and install the track bar. Torque bolt to 125 ft-lbs (170 Nm) Torque wheel lug nuts to 95-115 ft-lbs (129-155 Nm).



Torque all rear control arm bolts to 125 ft-lbs (169 Nm)





JK Rear Lower Spring Retainer

#4954300



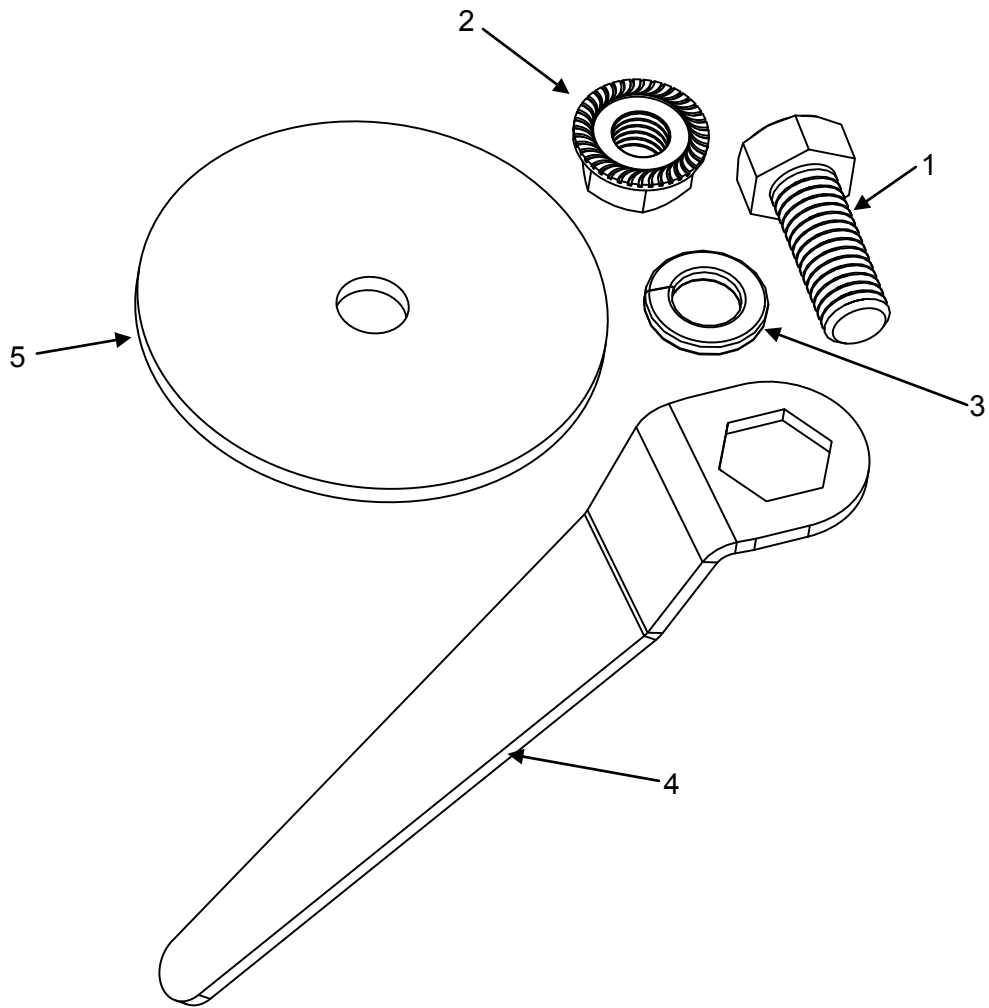
Important Notes:

Prior to beginning this or any installation read these instructions to familiarize yourself with the required steps and evaluate if you are experienced and capable to personally perform these modifications. A factory service manual should be used in conjunction with these installation instructions.

Refer to the parts list to ensure that all necessary components and hardware has been included. If any parts are missing please contact your local TeraFlex dealer for assistance.

Tools needed:

- This installation guide
- Basic mechanics tool set

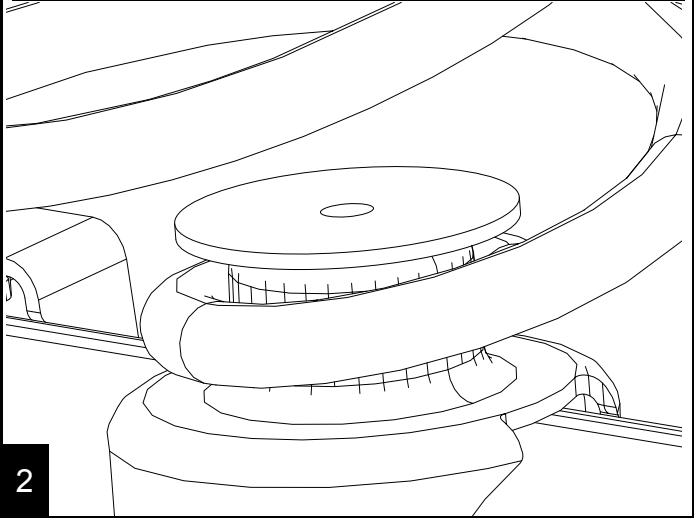


Parts List- Kit #1744014			
Item Number	Part Number	Description	Quantity
1	98	Bolt 3/8"-16 x 1" Hex Head Zinc	2
2	85	Nut 3/8"-16 Flanged Serrated	2
3	123	Washer 3/8" Lock Washer	2
4	600271	Spring Retainer Wrench Tool	1
5	600270	Lower Coil Retainer	2

Park the vehicle on a level surface and set the parking brake. This installation can be done with the vehicle on the ground.

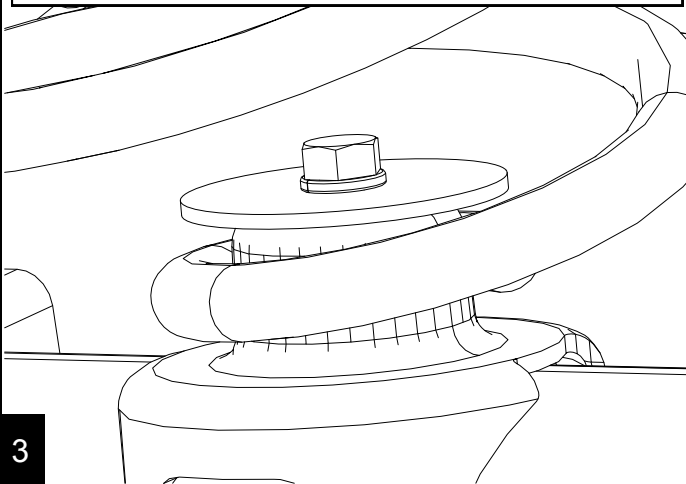
1

Place the retainer on the lower spring pad.



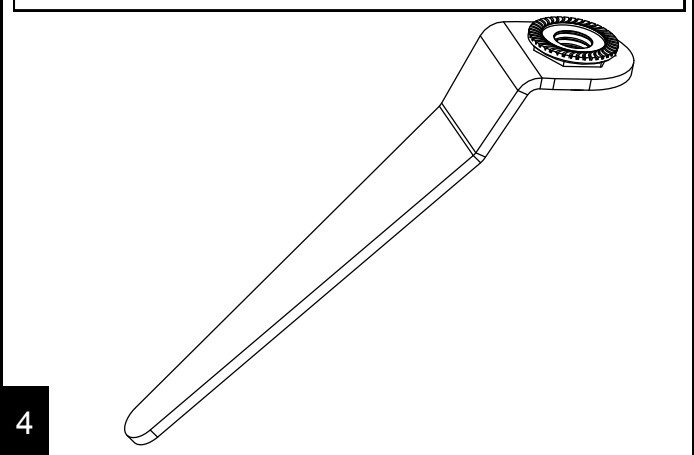
2

Install the 3/8" bolt and lock washer through the spring retainer and spring pad.



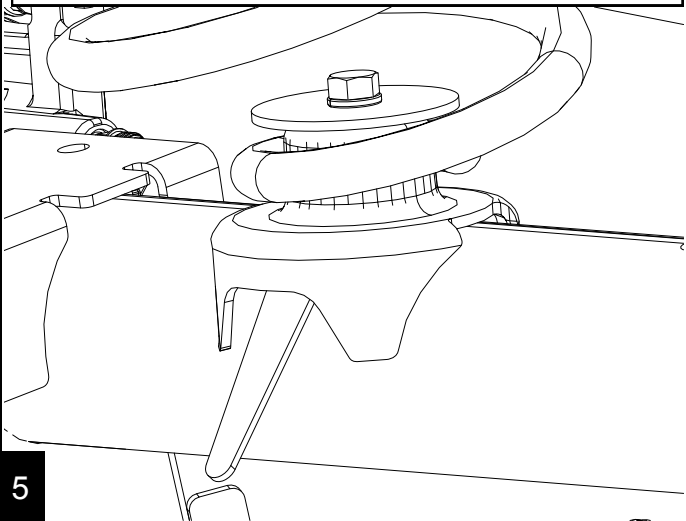
3

Place a nut into the provided tool. Slide the tool underneath the spring pad from the front of the axle and thread the bolt into the nut.



4

Torque the bolts to 30 ft-lbs (41 Nm)



5



JK Rear Brake Line Extension Brackets

#4304400



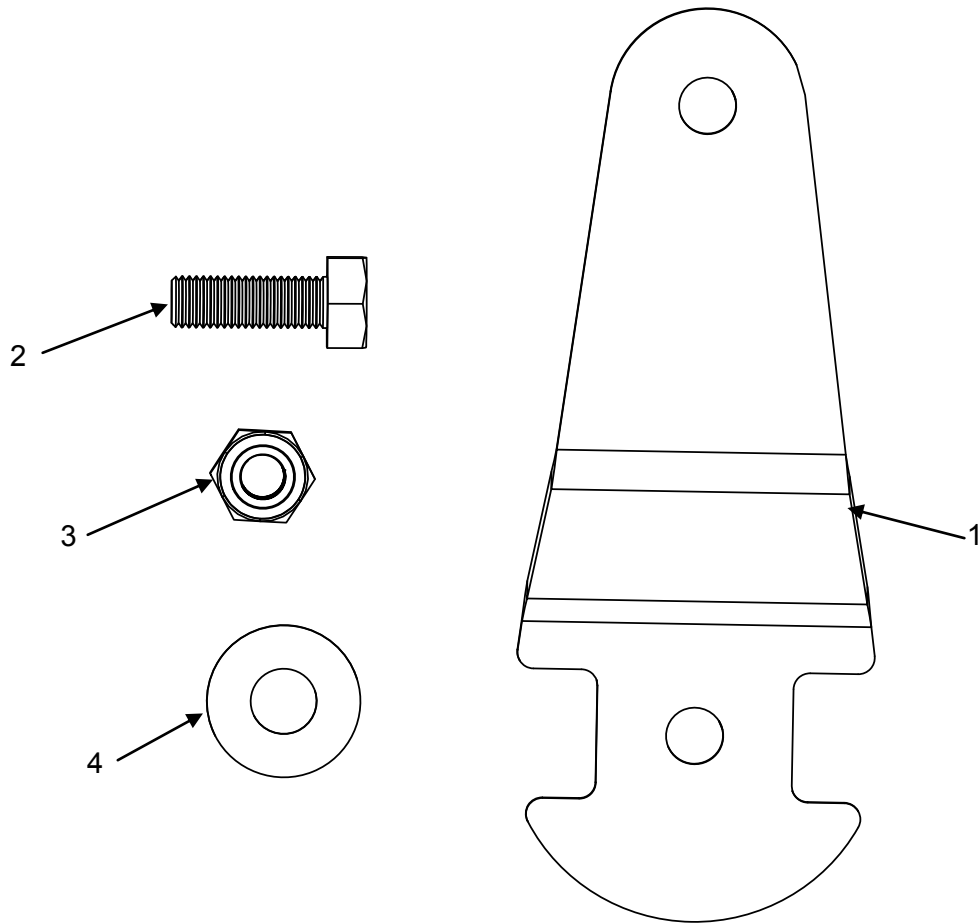
Important Notes:

Prior to beginning this or any installation read these instructions to familiarize yourself with the required steps and evaluate if you are experienced and capable to personally perform these modifications. A factory service manual should be used in conjunction with these installation instructions.

Refer to the parts list to ensure that all necessary components and hardware has been included. If any parts are missing please contact your local TeraFlex dealer for assistance.

Tools needed:

- This installation guide
- Basic mechanics tool set



Parts List- Kit #4304400			
Item Number	Part Number	Description	Quantity
1	600276	JK Rear Brake Line Extension Bracket	2
2	77	Bolt 1/4"-28 x 3/4" Hex Head	2
3	76	Nut 1/4"-28 Nylock Zinc	2
4	458	Washer 1/4" Flat Zinc	4

Park the vehicle on a level surface and set the parking brake. This installation can be done with the vehicle on the ground.

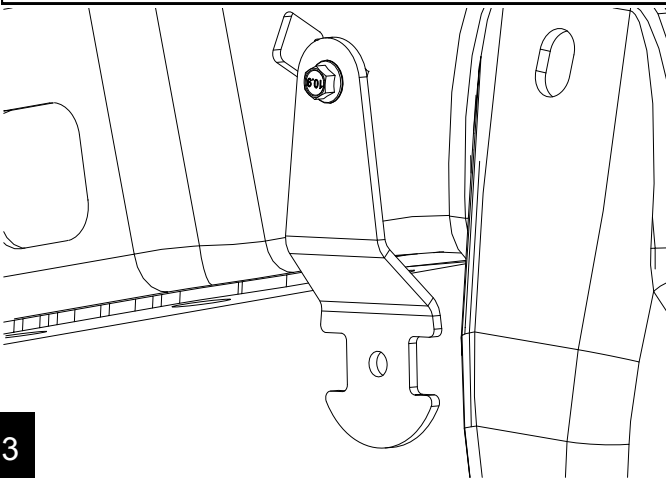
1

Unbolt the rear brake line bracket from the frame with a 10mm.



2

Install the bracket to the frame using the factory bolt. Note orientation with the bend inwards. Torque to 48 inch-lbs (5.4 Nm)



3

Using a 7/16" wrench and the supplied hardware, bolt the brake line to the bracket with a washer on both sides. Torque bolt to 120 inch-lbs (13 Nm)



4

Press the hard brake line against the frame to avoid contact with the sway bar links as the suspension cycles.



5

Revision A

999219