



FALCON SHOCKS

JK WRANGLER PIGGYBACK QUICK START GUIDE

Correctly paired shocks are critical to a properly functioning suspension system. The relationship between spring and shock is inseparable.

By design, Falcon shocks provide extremely predictable handling by improving both compression and rebound. In-house engineering experts have invested hundreds of hours in dyno verified shock tuning to deliver optimal results that are literally felt by a 'seat-of-the-pants' experience. Falcon shocks are built with state of the art methods including CAD design, finite element analysis, in-house lab simulation and rigorous real world street and trail testing.

TOOLS LIST



18mm box end wrench
5/8" socket
6" socket extension
ratchet
drill
5/8" drill bit
6mm allen wrench



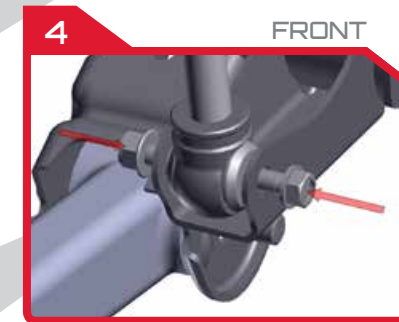
1 FRONT
Install tab, bushing, and flat bottom washer first.



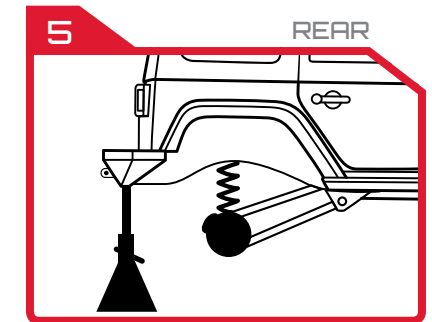
2 FRONT
Torque to 15 ft. lbs.



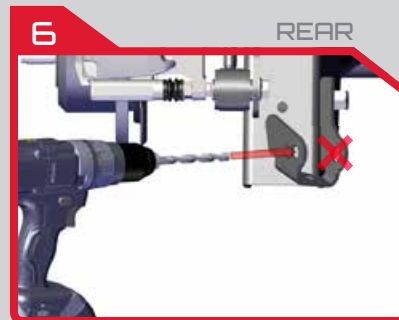
3 FRONT
Ensure tab button is seated.



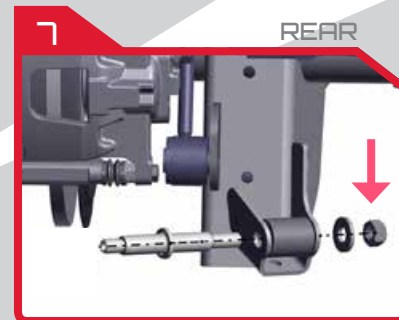
4 FRONT
Torque to 40 ft. lbs.



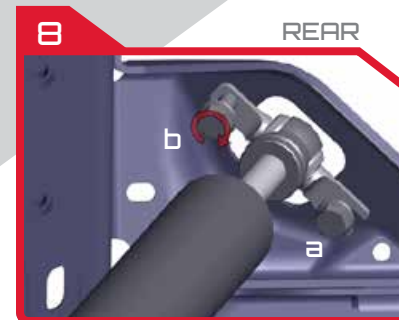
5 REAR
With rear suspension at full droop remove rear tires (front optional), and existing shocks.



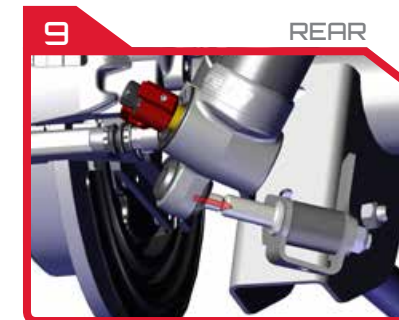
6 REAR
Drill outside tab only using a 5/8" drill bit.
Note: If using Tera 60's sway bar tab must be trimmed for clearance.



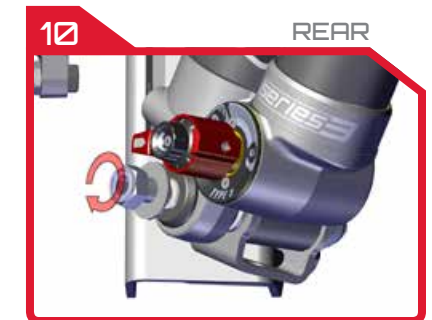
7 REAR
Torque to 40 ft. lbs. Using 18mm, 6mm hex wrench will prevent bolt rotation.



8 REAR
a) Loosely install one bolt. Slide on slotted end of bar pin.
c) Loosely install remaining bolt.



9 REAR
Grease will aid with installation.



10 REAR
Torque to 40 ft. lbs.



11 REAR
Torque both bolts to 30 ft. lbs.

SPECIAL NOTES



Falcon shocks have been tuned and optimized for 25 psi tire pressure.



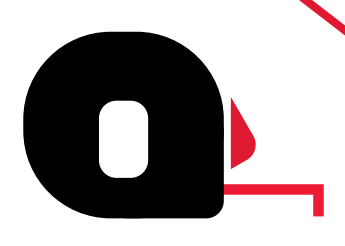
Red Line full synthetic oil has a high viscosity index of 540 for superior all-weather performance.



Hand wash with soap and water for cleaning. Do Not clean with acids.



3 year warranty to be free of defects and workmanship. Repair or replace at no cost.



Cycle suspension to check for proper shock body clearance and travel.

Looking for dependable performance suspension parts? Rely on TeraFlex for quality and long-lasting products.