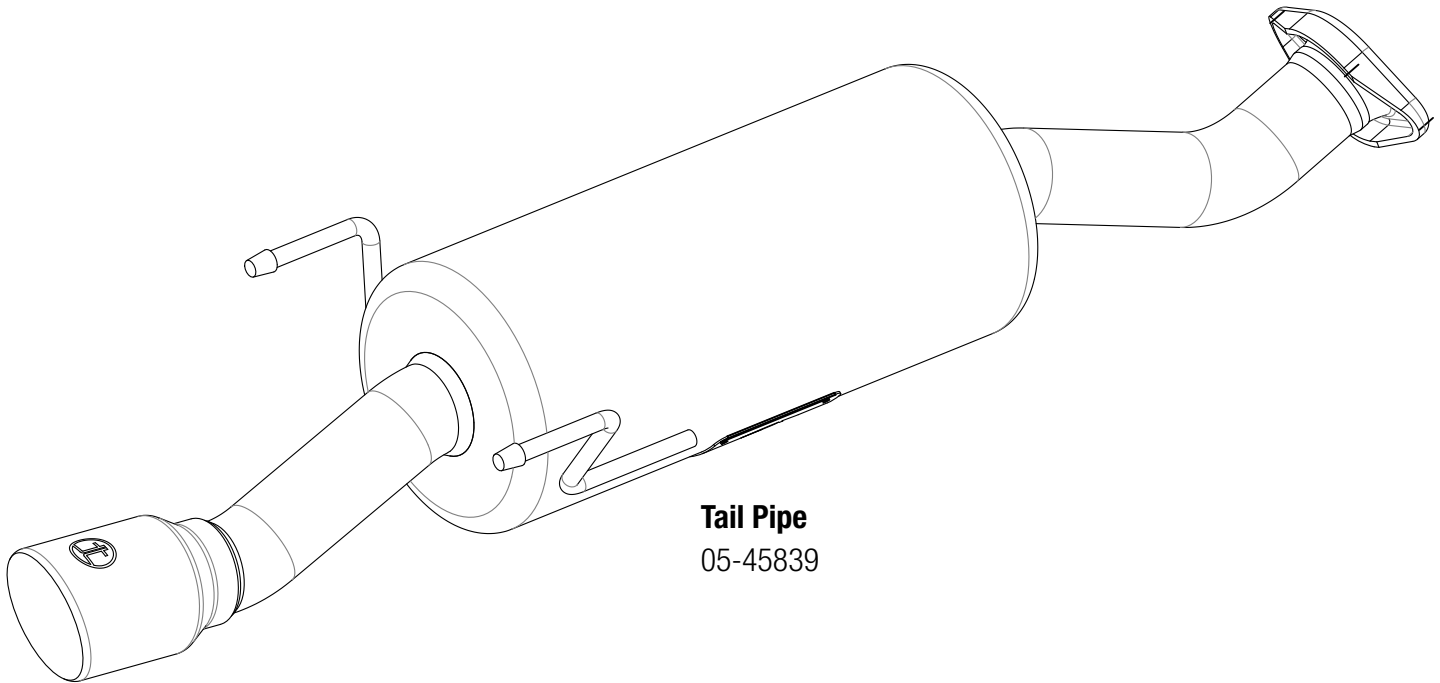




## INSTALLATION INSTRUCTIONS

MAKE: Honda  
MODEL: Fit  
YEAR: 2008-2013  
ENGINE: L4-1.5L

**Axel-Back Exhaust**  
**49-36611**



**Step 1:** (Read Instructions prior to installation) Secure vehicle on jack stands (Refer to your manual for specified jack stand positions).

**Step 2:** Remove the (x2) spring bolts securing the stock muffler to the mid pipe.

**Step 3:** Remove the muffler rubber hanger mount off the chassis and remove the OE muffler section.

**Step 4:** Transfer the rubber hanger mount off the OE muffler and install onto the aFe axle back exhaust.

**Step 5:** Using the original gasket (Replace if necessary), install the aFe axle back exhaust by sliding the rubber hanger mount onto the chassis and using the (x2) spring bolts removed from step 2 and tighten.

**Step 6:** Re-check all your work.

**Step 7:** Remove vehicle off of jack stands.

**Note: It is normal for your exhaust system to emit smoke for the first few minutes upon initial start-up.**

### NOTES:

- aFe recommends that the tail-pipe be at least 1/2"-1" away from any body panels to avoid heat related body damage. **Tighten and secure.**

**Caution:** Allow time for your vehicle to cool down prior to installation. When working on or under your vehicle proceed with caution. Exhaust systems reach high temperatures and may cause serious burns. Wear protective safety equipment; eye goggles and gloves to ensure a safe installation. **aFe recommends professional installation on our products.**