

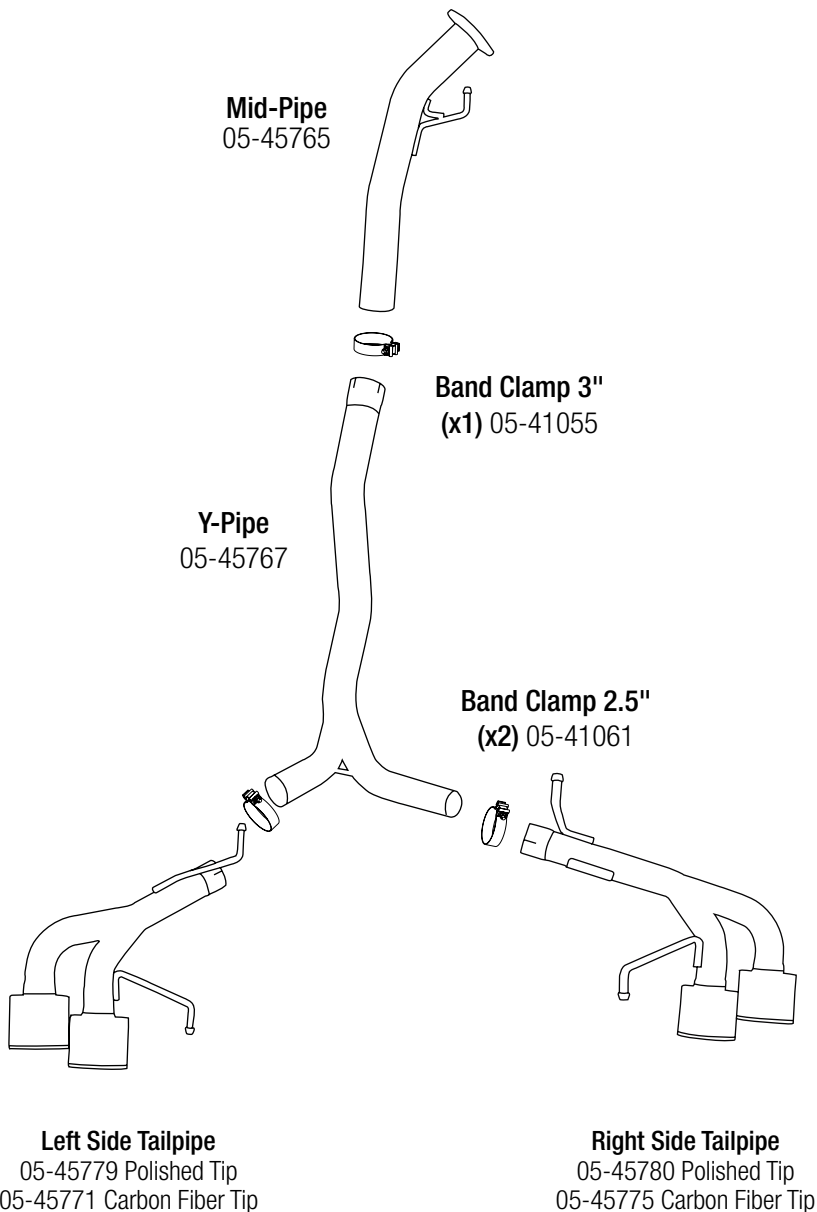


INSTALLATION INSTRUCTIONS

MAKE: Nissan
MODEL: GT-R
YEAR: 2009-2014
ENGINE: V6-3.8L

**Cat-Back Quad Tip
304 Stainless Steel
49-36108-P
49-36108-C**

aFe recommends professional installation on our products.



Caution: Allow time for your vehicle to cool down prior to installation. When working on or under your vehicle proceed with caution. [Exhaust systems](#) reach high temperatures and may cause serious burns. Wear protective safety equipment; eye goggles and gloves to ensure a safe installation.

Step 1: (Read Instructions prior to installation)

Step 2: Secure vehicle on jack stands (Refer to your manual for specified jack stand positions).

Step 3: Remove the rear diffuser and the rear diffuser bracket attached to the chassis.

Step 4: Remove the left and right side plastic covers under the OE tips.

Step 5: Remove the OE tips.

Step 6: Remove the nuts (x2) securing the OE mid pipe to the OE muffler.

Step 7: Remove all isolation mount brackets from the chassis and then remove OE exhaust system.

Step 8: Transfer all isolation mounts onto the Takeda Cat-Back exhaust.

Step 9: Using the original gasket (Replace if necessary) and original nuts (x2) removed from step 6, secure the Takeda Mid Pipe onto the OE muffler and secure the isolation mount back onto the chassis using the original nuts (x2) removed from step 7. Tighten all nuts.

Step 10: Using Takeda 3.0" band clamp (x1), slide the Takeda Y-Pipe onto the Mid-Pipe but do not tighten at this point.

Step 11: Using Takeda 2.5" band clamps (x2), slide the Takeda left and right side tips onto the Y-Pipe and onto the chassis using the original nuts (x2) removed from step 7 and tighten **ONLY** the isolation mount nuts.

Step 12: Align the Takeda Cat-Back exhaust and then tighten all band clamps. Install the rear diffuser bracket using the original bolts removed from step 3.

Step 13: Install the left and right side plastic covers under the new exhaust tips using the original hardware removed from step 4.

Step 14: Install the rear diffuser using the original hardware removed from step 3.

Step 15: Re-check all your work.

Step 16: Remove vehicle off jack stands. Your installation is now complete.

Step 17: Re-check after 150 miles.

Note: It is normal for your exhaust system to emit smoke for the first few minutes upon initial start-up due to grease used in the manufacturing process.