

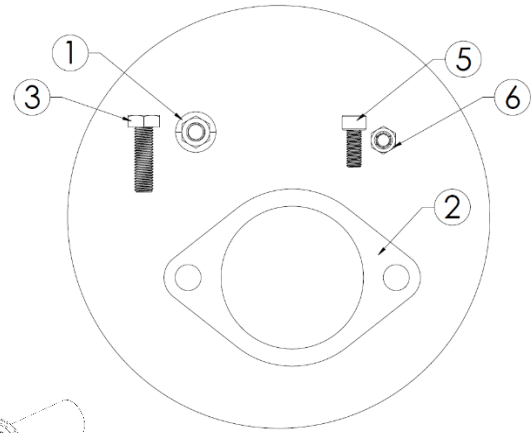
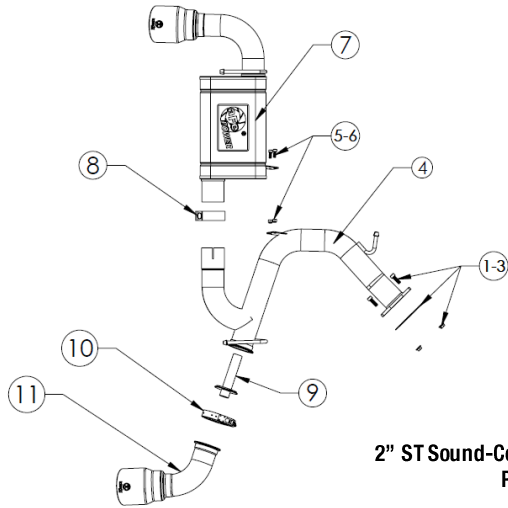


INSTALLATION INSTRUCTIONS

Axle-Back Exhaust

MAKE: Hyundai
MODEL: Veloster N
YEAR: 2019-2020
ENGINE: L4-2.0L (t)

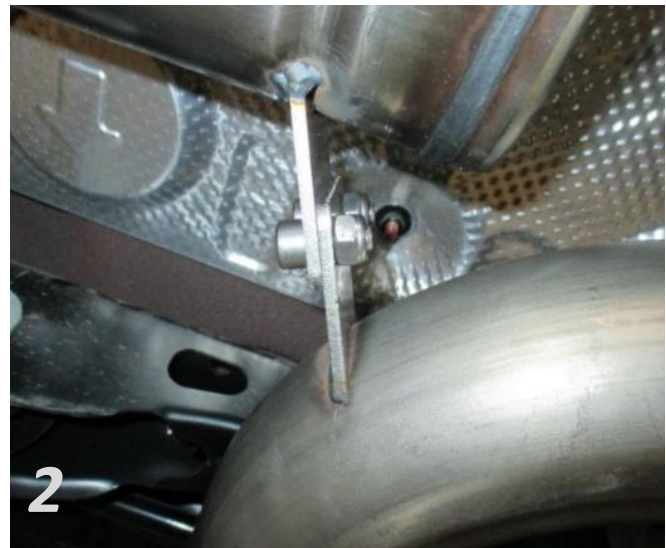
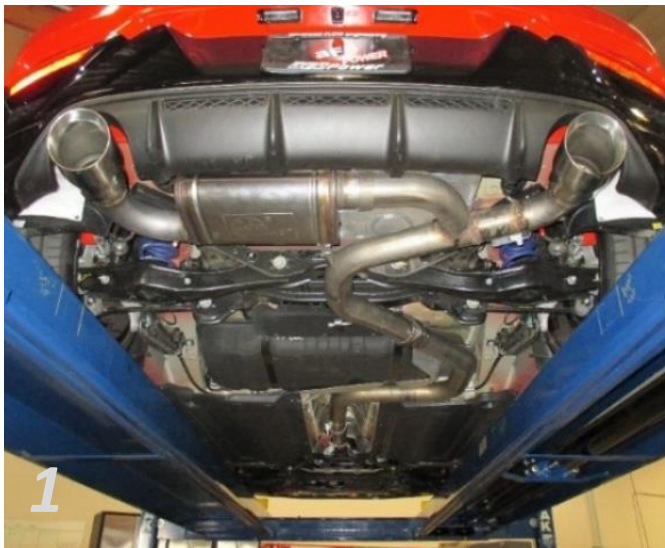
49-37009-B
 49-37009-P



2" ST Sound-Core available
 PN: 49-93003



Item	Description	Part Number	Quantity
1	M10 x 1.5 Flanged Nut	03-50189	2
2	Gasket	05-46400	2
3	M10 x 1.5 x 35 Hex Head Cap Bolt	03-50452	2
4	Branch Assembly	05-145905	1
5	M8 x 1.25 x 16 Socket Head Cap Screw	03-50171	2
6	M8 x 1.25 Acorn-Lock Hex Nut	05-46057	2
7	Muffler Assembly w/ Polished Tip	05-145775P	1
7	Muffler Assembly w/ Black Tip	05-145775B	1
8	3" Band Clap	05-41055	1
9	1-1/4" ST Sound-Core	05-145907	1
10	V-band Clamp	05-41588	1
11	PS Tailpipe Assembly w/ Polished Tip	05-145906P	1
11	PS Tailpipe Assembly w/ Black Tip	05-145906B	1





INSTALLATION INSTRUCTIONS

Axle-Back Exhaust

MAKE: Hyundai
MODEL: Veloster N
YEAR: 2019-2020
ENGINE: L4-2.0L (t)

49-37009-B
49-37009-P

aFe POWER recommends professional installation on this product. Thoroughly inspect the aFe POWER exhaust system to make sure there is no damage from shipping (if damage is noted, immediately contact aFe POWER customer service). Allow time for your vehicle to cool down prior to installation. When working on your vehicle proceed with caution. Wear protective safety equipment; eye goggles and gloves to ensure a safe installation.

Install band clamps to proper torque specifications of 40-45 ft-lb.

1. **(Read instructions prior to installation.)** It is recommended to not fully tighten the exhaust until it has been fully installed. Leave loose for adjustability.
2. Secure vehicle on jack stands (refer to your manual for specified jack stand positions).
3. For faster installation, spread out the parts of the exhaust alongside your vehicle as shown in the diagram above.
4. Secure the stock exhaust with jack/stands.
5. Loosen the (x2) nuts securing the muffler assembly to the OE mid-pipe.
6. Remove the (x3) isolation mounts on the muffler assembly using hanger pliers or a pry bar.
7. Remove the OE muffler assembly.
8. Assemble the Takeda Muffler Assembly and Takeda Tailpipe outside of the vehicle using the supplied 3" band clamp, 3" V-Band clamp, and (x2) M8 nuts and (x2) M8 bolts. **See reference image (2) for bracket orientation.**
Note: At this time, you can choose to install the 1-1/4" ST Sound-Core if you would like.
9. Install the Takeda Axle-Back onto the vehicle using the supplied gasket, (x2) M10 bolts, and (x2) M10 nuts.
10. Ensure that all the components of the Takeda exhaust system are aligned and are at a safe clearance from all wires, hoses, brake lines, body parts, and tires.
11. Start from the front of the Takeda exhaust system and evenly tighten all clamps and fasteners.
12. Start the vehicle and check for any leaks. If any leaks are found, determine cause and repair as necessary.
13. Remove vehicle from jacks stands.
14. It is recommended to re-tighten all clamps and hardware after 50-100 miles.