



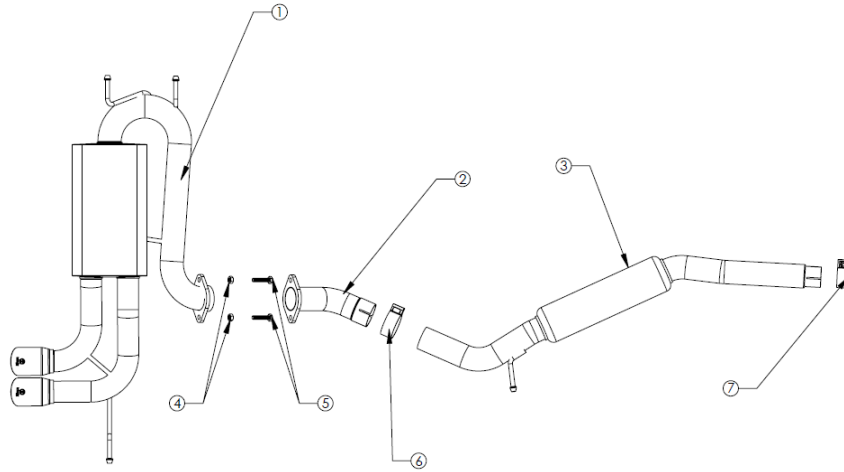
INSTALLATION INSTRUCTIONS

Cat-Back Exhaust

MAKE: Mazda
MODEL: Miata
YEAR: 2016-2019
ENGINE: 2.0L

49-37005-B
49-37005-P

NOTE: MUST CUT OEM EXHAUST



Item	Description	Part Number	Quantity
1	Muffler Assembly	05-145749B/P	1
2	Mid-Pipe Assembly	05-145748	1
3	Front-Pipe Assembly	05-145747	1
4	Nut, Flange 10MM x 1.5	03-50189	2
5	Screw, Hex Head Cap: M10 x 1.5 x 65mm	03-50386	2
6	Clamp, 2-1/2"	03-41061	1
7	Clamp, 2-1/4"	05-41210	1

aFe POWER recommends professional installation on this product. Thoroughly inspect the aFe POWER exhaust system to make sure there is no damage from shipping (if damage is noted, immediately contact aFe POWER customer service). Allow time for your vehicle to cool down prior to installation. When working on your vehicle proceed with caution. Wear protective safety equipment; eye goggles and gloves to ensure a safe installation.

Install band clamps to proper torque specifications of 40-45 ft-lb.





INSTALLATION INSTRUCTIONS

MAKE: Mazda
MODEL: Miata
YEAR: 2016-2019
ENGINE: 2.0L

Cat-Back Exhaust

49-37005-B

49-37005-P

NOTE: MUST CUT OEM EXHAUST

1. **(Read instructions prior to installation.)** It is recommended to not fully tighten the exhaust until it has been fully installed. Leave loose for adjustability.
2. Secure vehicle on jack stands (refer to your manual for specified jack stand positions).
3. For faster installation, spread out the parts of the exhaust alongside your vehicle as *shown* in the diagram above.
4. Secure the stock exhaust with jack/stands.
5. Remove the (x2) 14mm spring loaded nuts securing the OE muffler to the OE mid-pipe.
6. Using hanger pliers or a pry bar to remove the (x4) OE hanger from the isolation mounts.
7. Remove the OE muffler.
8. Remove the (x2) 14mm lock nuts at the mid-pipe flange.
9. Using hanger pliers or a pry bar to remove the OE hanger from the OE isolation mount on the OE mid-pipe.
10. Mark 4-1/2" away from the welded-on heat shield.
11. Using a tube cutter or a saw cut along the marked lines and deburr the cut tube.
12. Install the OE mid-pipe after its been cut using the OE (x2) 14mm lock nuts.
13. Install the Takeda Front-Pipe onto the cut OE mid-pipe and slide over 3".
14. Using the 2-1/4" band clamp snug down the Takeda Front-Pipe but do not tighten.
15. Slide the Takeda Front-Pipe onto the OE isolation mount.
16. Install the Takeda Mid-Pipe using the supplied 2-1/2" band clamp, but do not tighten.
17. Install the OE donut gasket onto the Takeda Mid-Pipe.
18. Install the Takeda Muffler Assembly using the supplied (x2) 10mm x 1.25 bolts and (x2) 10mm x 1.25 nuts.
19. Slide the hangers into the OE isolation mounts. Note: One isolation mount will not be used.
20. Ensure that all the components of the Takeda Cat-Back exhaust system are aligned and are at a safe clearance from all wires, hoses, brake lines, body parts, and tires.
21. Start from the front of the aFe exhaust system and evenly tighten all clamps and fasteners.
22. Start the vehicle and check for any leaks. If any leaks are found, determine cause and repair as necessary.
23. Remove vehicle from jacks stands.
24. It is recommended to re-tighten all clamps and hardware after 50-100 miles.