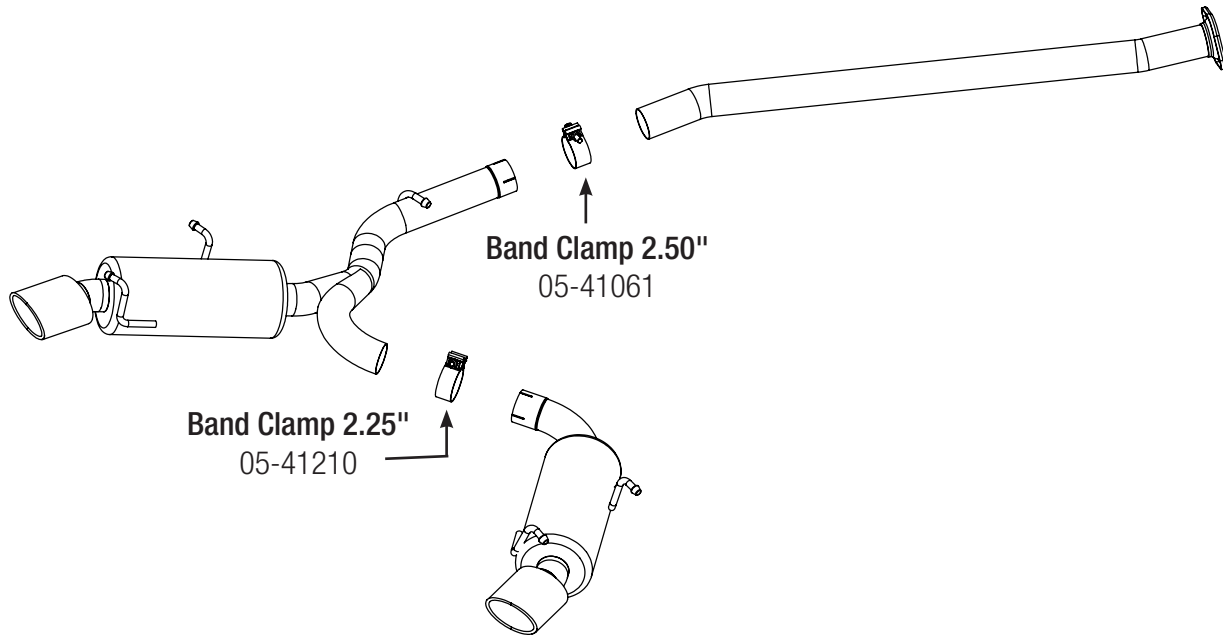




## INSTALLATION INSTRUCTIONS

MAKE: Scion / Subaru / Toyota  
MODEL: FR-S / BRZ / 86  
YEAR: 2012-2019  
ENGINE: H4-2.0L

**Cat-Back**  
**304 Stainless Steel**  
**49-36023-P (Polished)**



**Caution:** Allow time for your vehicle to cool down prior to installation. When working on or under your vehicle proceed with caution. Exhaust systems reach high temperatures and may cause serious burns. Wear protective safety equipment; eye goggles and gloves to ensure a safe installation.

- Step 1:** (Read Instructions prior to installation) Secure vehicle on jack stands (Refer to your manual for specified jack stand positions).
- Step 2:** Remove the (x2) nuts and bolts securing the stock muffler to the mid pipe.
- Step 3:** Remove the muffler section by sliding off the rubber hanger mounts.
- Step 4:** Remove the (x2) spring bolts and nuts securing the stock mid pipe to the catalytic converter.
- Step 5:** Remove the mid pipe section by sliding off the rubber hanger mount.
- Step 6:** Using the original (x2) spring bolts and nuts removed from step 4, install the Takeda front mid pipe section but do not tighten.
- Step 7:** Using (x1) supplied 2.5" Takeda band clamp, install the Takeda muffler section onto the Takeda muffler section onto the Takeda mid pipe and secure the muffler section onto the (x5) rubber hanger mounts. Do not tighten band clamps.
- Step 8:** Align the Takeda exhaust system and then tighten the (x2) spring bolt and nuts from step 6, then the 2.5" and 2.25" band clamp from steps 7.
- Step 9:** Re-check all your work.
- Step 10:** Your installation is now complete. It is recommended to re-tighten all exhaust components after 50-100 miles.

**Note:** It is normal for your exhaust system to emit smoke for the first few minutes upon initial start-up.

**NOTES:**

- aFe recommends that the tailpipe be at least 1/2"-1" away from any body panels to avoid heat related body damage. **Tighten and secure.**

**Caution:** Allow time for your vehicle to cool down prior to installation. When working on or under your vehicle proceed with caution. Exhaust systems reach high temperatures and may cause serious burns. Wear protective safety equipment; eye goggles and gloves to ensure a safe installation. **aFe recommends professional**