

# T-REX

## GRILLES



## ZROADZ SERIES GRILLE

MAIN GRILLE - # Z315821

2020 FORD RANGER

ALL RIGHTS RESERVED - COPYRIGHT ©2020 -T-REX TRUCK PRODUCTS, INC.

### PARTS INCLUDED

- (1) ZROADZ Main Grille - Part # Z315821
- (1) Grille Top Mounting Bracket
- (1) Grille Bottom Mounting Bracket
- (1) ZROADZ 20" Single Row LED Light Bar
- (1) Wiring Harness
- (1) Hardware Pack

### HARDWARE INCLUDED

- (3) - Grille Retainer Clips

### TOOLS REQUIRED

- Prying Tool
- Various Socket Set
- Various Wrenches
- Ratchet Tool
- Ratchet Extensions

### INSTALLATION GUIDE

#### BEFORE YOU BEGIN

PLEASE READ AND UNDERSTAND ALL INSTRUCTIONS BEFORE INSTALLATION. Auto makers offer varied models to each vehicle and occasionally manufacture more than one body style of the same model.

\* APPLICATION MODELS VARY. WE RECOMMEND TO VERIFY FITMENT BEFORE BEGINNING INSTALLATION PROCESS.  
\* IMAGES FEATURED IN THE INSTRUCTION DOCUMENTS MAY NOT ALWAYS EXACTLY MATCH YOUR MODEL OR PART.

#### START HERE

Turn off engine, chalk tires with stop block, open the hood and disconnect the battery.

#### LED LIGHT BAR INSTALLATION

##### STEP 1

1) Open and unbox the T-REX package. Sort out all components and hardware pack.

The ZROADZ Series Grille may not have the LED Light Bar installed to the new Grille. Do that now with the supplemental ZROADZ Insert.



FIG 1

##### STEP 2

2) The OEM Factory Grille will have to be removed.

Before you begin, apply a protective layer of low adhesive "painters tape" such as 3M Safe Release or Scotch Blue on the vehicle around the grille and work area to protect the paint & finish.

##### SEE FIGURE 2

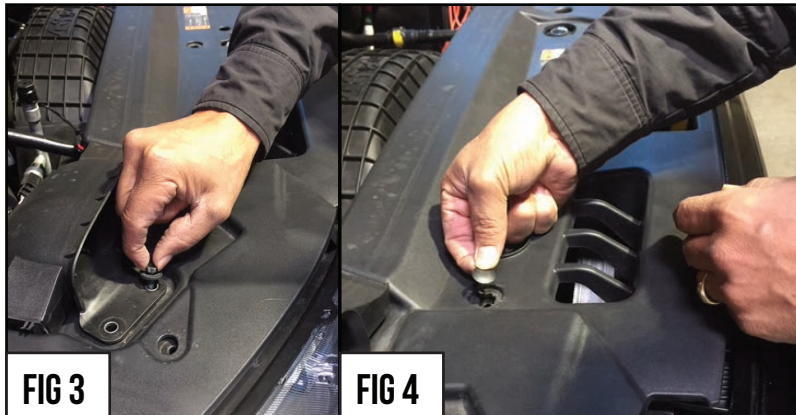


FIG 2

# ZROADZ SERIES GRILLE

MAIN GRILLE - # Z315821  
2020 FORD RANGER

## GRILLE REMOVAL - CONTINUED



### STEP 3

SEE FIGURES 3 & 4

3) Remove the 2 bolts and then the plastic clips as seen in Figures #3 & #4.

Set aside hardware for grille re-installation and repeat on opposite side.

### STEP 4

SEE FIGURE 5

4) Remove the Radiator Panel Cover.

Set aside for re-installation.

### STEP 5

SEE FIGURES 6 - 8

5) With the Radiator Panel Cover removed, you now have access to 2 bolts in the top of grille and the AC Cooler Cover Panel.

Remove these set aside for re-installation.

### STEP 6

SEE FIGURE 8

6) Figure #8 highlights the area of the AC Cooler Cover Panel.



## GRILLE REMOVAL CONTINUED



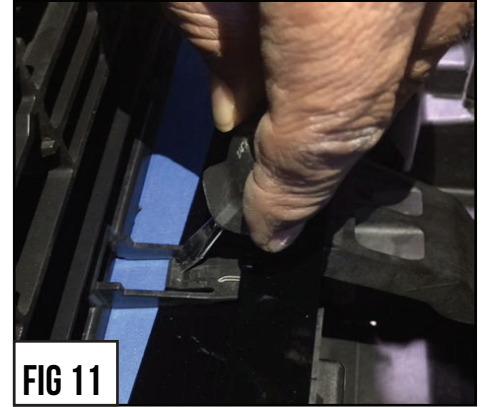
## GRILLE REMOVAL - CONTINUED



# ZROADZ SERIES GRILLE

MAIN GRILLE - # Z315821  
2020 FORD RANGER

## GRILLE REMOVAL - CONTINUED



### STEP 7

SEE FIGURES 9 - 11

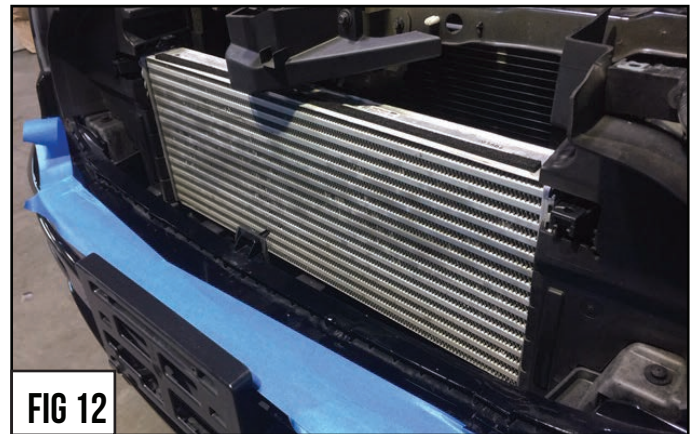
7) Now you have access to behind the grille bottom where there are 3 Retainer Clip holding and securing the grille in place.

Push down on each Retainer Clip to release and pull the grille at the same time. The grille should now be free to remove.

### STEP 8

SEE FIGURE 12

8) Remove the grille and set aside.



### STEP 9

9) Put the new T-REX Grille face down on a soft padded surface and prepare your work area for grille assembly.

### STEP 10

SEE FIGURES 13 & 14

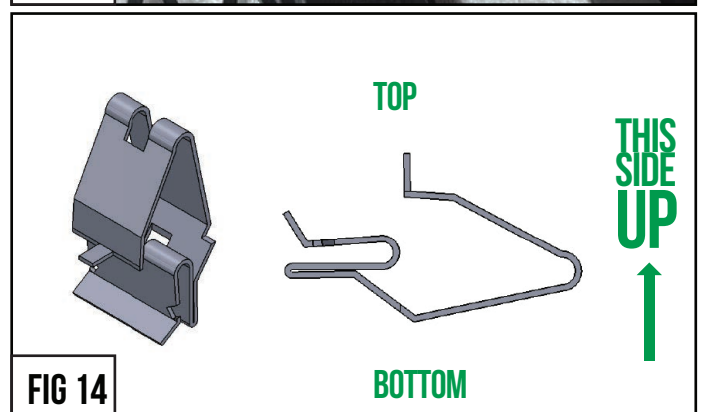
10) Carefully Put into place the new Retainer Clip provided in the T-REX Hardware Pack and install onto the Grille Mounting Brackets in the pre-determined mounting points.

Make sure all of the Retainer Clips are installed properly and with the correct orientation as seen in Figure #16.

## GRILLE ASSEMBLY



**FIG 13**

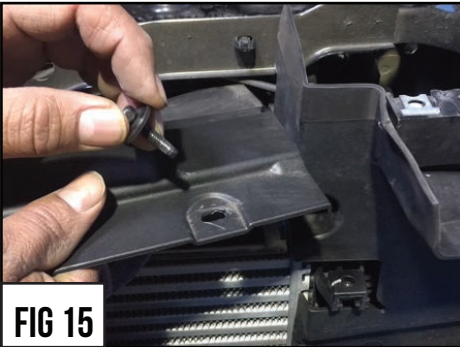


## GRILLE ASSEMBLY - COMPLETE

# ZROADZ SERIES GRILLE

MAIN GRILLE - # Z315821  
2020 FORD RANGER

## GRILLE INSTALL - START



### STEP 11

### SEE FIGURE 15

11) Put back into place and re-install the AC Cooler Cover Panel that was removed in Step #5.

### STEP 12

### SEE FIGURES 16 & 17

12) Take the assembled T-REX Grille and put into place to install onto vehicle. Align the pre-determined mounting / Retainer Clips with the factory grille mounting provisions. Start with the bottom first and then the top.

Secure the grille to vehicle by screwing the bolts that were removed in Step #5.

### STEP 13

### SEE FIGURE 18 & 19

13) Take the ZROADZ LED Light Bar Power Cable and connect to the provided Wiring Harness.

Finally, Re-Install the Vehicle's Radiator Cover Panel.

### STEP 14

### INSPECT YOUR WORK

14) Carefully inspect your work and make certain all vehicle panels have been installed and align correctly as factory fitment.

## INSTALLATION



## GRILLE INSTALL - COMPLETE



## PRODUCT CARE INFORMATION

### PRODUCT CARE INFORMATION

Wash regularly as you would when caring for your vehicles. Never use dish soap. Never leave wet water spots as that may leave a blemish.

### SEMI-MATTE BLACK FINISH

Paint warranty applies to defects in material and / or workmanship, it does not cover the matte finish surface appearance. To enjoy the matte appearance for many years to come, please follow these owner care and maintenance tips. Get a no-shine matte car wash soap that uses no fillers, no silicone, and won't strip your matte paint of its layer of protection. Do not use wax, detail spray, armorall®, or any products made for normal paint. Use only products specifically developed for matte finish paint. Do not use products that are even mildly abrasive, such as polishes, glazes, or rubbing compounds. Do not use mechanical cleaners or polishers. Do not use terry cloth, cloth, or paper towels. Do not rub the finish vigorously, this will burnish the paint finish, causing a permanent shiny spot. Shiny spots cannot be removed.

Do not use commercial car wash facilities or their shine enhancement products. Most car wash brushes, large mechanized "towels", and shine enhancement products can damage matte paint.

Remove foreign substances such as insect remains, tar, and road debris using a soft applicator and a mild solvent; saturate and soak area before cleaning - rub lightly.

Hand-wash with a soft wash mitt and mild cleaning product safe for matte paint. Use microfiber cleaning cloths with alcohol-based window cleaner for basic surface clean-up.

### ALUMINUM BRUSHED FINISH

Products with Brushed Aluminum Finish may be cleaned / washed regularly as you would when caring for your vehicles factory finish using soap and water. If any corrosion occurs, which it may overtime from collecting road debris, use soap and water with a Scotch-Brite Heavy Duty Hand Pad 7440 or similar light grit abrasive and the brushed finish will be restored. Never leave wet water spots as that may leave a blemish.