

T-REX

GRILLES



LASER BILLET GRILLE

MAIN GRILLE - #6215500 / 6215501

2018 MUSTANG GT

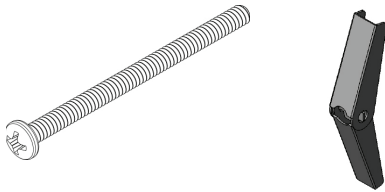
PARTS INCLUDED

(1) Laser Billet - Main

Part #6215500 - Polished or
Part #6215501 - Black

HARDWARE INCLUDED

(4) - 6-32 x 2" Pan Head Screws
(4) - 6-32 Toggle Wing Fastener



TOOLS REQUIRED

- Prying Tool
- Screwdriver set (Phillips Head)
- Screwdriver set (Flat Head)
- Pocket Knife

BUMPER REMOVAL & GRILLE INSTALLATION GUIDE

START HERE

PLEASE READ AND UNDERSTAND ALL INSTRUCTIONS BEFORE INSTALLATION. Auto makers offer varied models to each vehicle and occasionally manufacture more than one body style of the same model.

* APPLICATION MODELS VARY. WE RECOMMEND TO VERIFY FITMENT BEFORE BEGINNING INSTALLATION PROCESS.
* IMAGES FEATURED IN THE INSTRUCTION DOCUMENTS MAY NOT ALWAYS EXACTLY MATCH YOUR GRILL.

STEP 1 GRILLE OVERLAY INSTALL

1) Turn off engine and chalk tires with stop block. Open Hood.

PRO TIP:

Before you begin, use "3M Painters Tape" to apply a protective guard around the work areas. Attend to the fender and bumper valance. This will help protect the paint and finish of your vehicle.



FIG 1



FIG 2

STEP 2

SEE FIGURES 2 & 3

2) Use a prying tool to carefully remove the Ford "Pony" Badging.



FIG 3

LASER BILLET GRILLE

MAIN GRILLE - #6215500 / 6215501

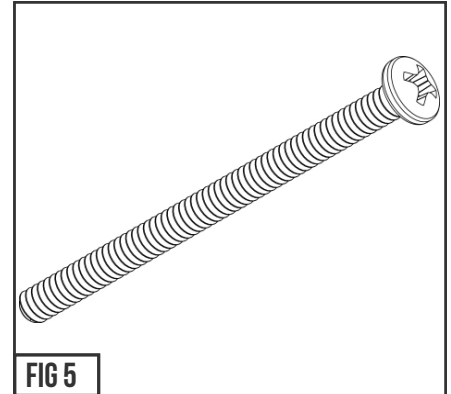
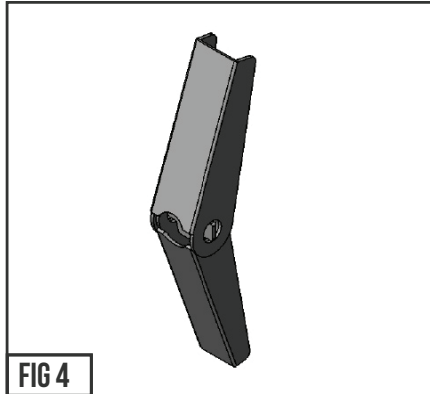
2018 MUSTANG GT

GRILLE ASSEMBLY - START

STEP 4

SEE FIGURES 4 - 5

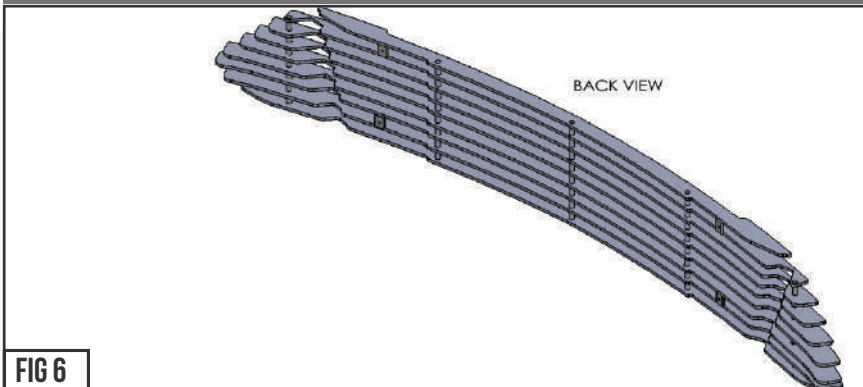
4) Assemble the provided hardware with the the new T-REX Grille.



STEP 5

SEE FIGURE 6

5) Identify the pre-determined grille mounting points. Slip the Screws through the grille face (front)..



STEP 6

SEE FIGURES 7 & 8

6) Fix the toggle wing fastener onto the screw as seen in Figure #7 & #8.

GRILLE HRDWARE ASSEMBLY



GRILLE ASSEMBLY - COMPLETE

GRILLE INSTALL - START

STEP 7

7) Put into place the new T-REX Grille. Center the T-REX Grille over and in the bumper's factory grill opening.

GRILLE INSTALL - CONTINUED

LASER BILLET GRILLE

MAIN GRILLE - #6215500 / 6215501

2018 MUSTANG GT

GRILLE INSTALL - CONTINUED

STEP 8

8) Adjust side to side or up / down and in / out if needed. Align evenly on all side, and carefully press into place so that the overlay hugs closely inside opening.



STEP 9

SEE FIGURES 9 & 10

9) Once satisfied with T-REX Grille position and alignment over the oem grille / grille opening, press the screws through the honey comb.

GRILLE FASTENED TO BUMPER



STEP 10

SEE FIGURE 12

10) Press screw through factory grille so that "Toggle Wing" nut can catch on the back side of factory grille.

STEP 11

SEE FIGURES 12 - 14

11) Use a Phillips Head screwdriver to tighten screws and secure grille overlay into place. Using an extra long flat head screwdriver to hold toggle wings while tightening down the screws will help.

GRILLE INSTALL - COMPLETE

LASER BILLET GRILLE

VISUAL INSPECTION

MAIN GRILLE - #6215500 / 6215501

2018 MUSTANG GT



STEP 12

SEE FIGURES 15 - 16

12) The installation of your new custom grille is now complete. Check over your work for hardware tightness and visual inspection.

STEP 13

13) At this point you want to look over your work and examine the gap alignments around all edges and in between the new T-REX Grille and the vehicle components and body lines. Carefully close the hood for a complete visual inspection. If adjustment is needed, you can loosen the grille mounts and shift side to side for even grille alignment.

INSPECT FOR ALIGNMENT



INSTALLATION PROCESS COMPLETE



LED LIGHTING EQUIPMENT INSTALLATION / DISCLAIMER

WARNING

PLEASE CONSULT YOUR LOCAL AUTOMOTIVE ELECTRICAL PROFESSIONAL FOR INSTALLATION SERVICES AND ADVICE. T-REX IS ONLY EQUIPPED TO PROVIDE BASIC TECHNICAL ASSISTANCE DUE TO THE DIVERSITY OF VEHICLES, VEHICLE OPTIONS & MODIFICATIONS AND LIGHTING CONFIGURATION OPTIONS AVAILABLE. T-REX Truck Products cannot be held liable due to improper component installation and / or faulty wiring.

GENERAL GUIDELINES

LED Lights & LED Light Bars operate at relatively high currents and should only be installed by qualified personnel with experience in Switched / relayed high draw DC Circuits.

- Light Bars are designed for use only with standard 12v DC power systems
- Light Bars are for OFF-ROAD USE ONLY. Check your local laws & regulations regarding vehicle mounted lights.
- Some Light Bars are equipped with waterproof connectors while others are simply pig-tailed
- Red Wires = POSITIVE | Black Wires = NEGATIVE
- ALWAYS install your lights on a fused circuit. Basic fusing guidelines: maximum 5A for every 10" of LED Light Bar.

GENERAL USE, INSTALL AND ADJUSTMENT TIPS

NOTE 1: T-REX Torch Series Grilles (with LED Light Bars installed), and LED Light Bars themselves are for OFF-ROAD USE ONLY.

NOTE 2: Light Bars in Torch Series Grilles are installed flush with the grille from the factory. This may or may not be the ideal angle for each light depending on the configuration of your vehicle and its options and/or modifications. To adjust the angle of your light bars simply loosen the mounting hardware on either side of each Light Bar, rotate the Light Bar to adjust the angle, then tighten the hardware once the desired angle is achieved (please be careful not to over-tighten the mounting hardware or scratch the protective powder-coat finish). It is best to adjust the angle with the vehicle on level ground with the lights facing a wall, garage door or other solid barrier at a distance of approximately 25-30 feet.

NOTE 3: Please consult a qualified automotive electrical professional for light bar wiring installation.

NOTE 4: An optional universal wiring harness (part# 639HAR1) is also available that includes high-heat & oil/fuel resistant wires, waterproof connector, 12v relay, 12v rocker switch, in-line fuse holder. Our universal wiring harness significantly expedites the installation process but is not a vehicles specific "Plug & Play" product and does not eliminate the need for a professional installation.

GRILLE CARE INFORMATION

GRILLE CARE INFORMATION

T-REX grilles are finest in the industry but do require normal care. Wash regularly as you would when caring for your vehicles. Never use dish soap.

POLISHED FINISH

T-REX polished grilles should be waxed at the same time that you wax the vehicle and can be cleaned with soap and water. A polished finish can be cared for in the same fashion that would care for your vehicles factory chrome. Never leave wet water spots as that may leave a blemish.

MATTE BLACK FINISH

To enjoy the matte appearance for many years to come, please follow these owner care and maintenance tips. Get a no-shine matte car wash soap that uses no fillers, no silicone, and won't strip your matte paint of its layer of protection.

Do not use wax, detail spray, armorall®, or any products made for normal paint. Use only products specifically developed for matte finish paint. Do not use products that are even mildly abrasive, such as polishes, glazes, or rubbing compounds. Do not use mechanical cleaners or polishers. Do not use terry cloth, cloth, or paper towels. Do not rub the finish vigorously, this will burnish the paint finish, causing a permanent shiny spot. Shiny spots cannot be removed.

Do not use commercial car wash facilities or their shine enhancement products. Most car wash brushes, large mechanized "towels," and shine enhancement products can damage matte paint.

Remove foreign substances such as insect remains, tar, and road debris using a soft applicator and a mild solvent; saturate and soak area before cleaning—rub lightly.

Hand-wash with a soft wash mitt and mild cleaning product safe for matte paint. Use microfiber cleaning cloths with alcohol-based window cleaner for basic surface clean-up.

GLOSS BLACK FINISH

T-REX Grilles with Gloss Black Powder Coated Finish may be washed regularly as you would when caring for your vehicles finish using soap and water. T-REX grilles should be waxed at the same time that you wax the vehicle. As a general rule, anything you use to clean your vehicles painted surfaces can be used to clean and maintain your T-REX grille. A Gloss powder Coated Finish can be cared for in the same fashion that you would care for your vehicles factory paint job. Never leave wet water spots as that may leave a blemish.