

2 BIKE RV BUMPER RACK

Fits 4 & 4-1/4" Square RV Bumpers

ITEM: 80605

Page 1 of 2

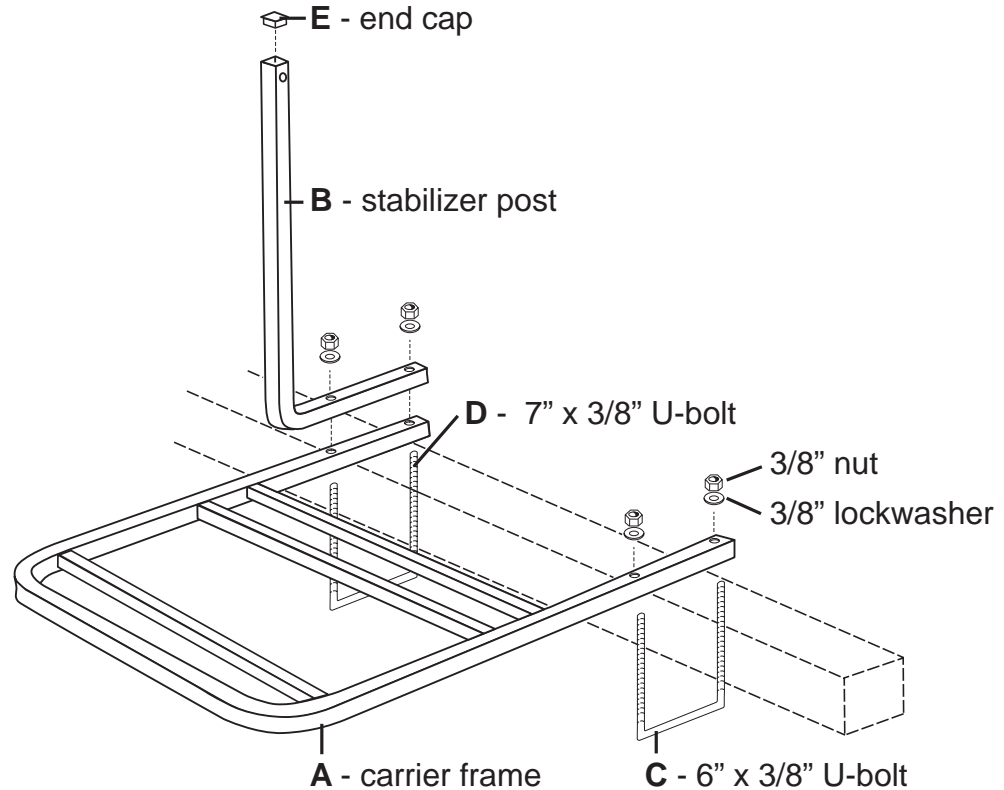
>>PARTS & HARDWARE

Parts

- (2 x) Carrier Frames - **A**
- (1 x) Stabilizer Post - **B**

Hardware

- (3 x) 6" x 3/8" U-bolts - **C**
- (1 x) 7" x 3/8" U-bolts - **D**
- (1 x) End Cap - **E**
- (8 x) 3/8" Lockwashers
- (8 x) 3/8" Nuts



>>ASSEMBLY INSTRUCTIONS

- 1.) Place carrier frames (A) on the square bumper. Insert the shorter U-bolts (C) from underneath the bumper into the farthest left and right set of holes. On the left frame, also insert the shorter U-bolt (C) into the inner right side set of holes.
- 2.) Place lockwashers and nuts on the U-bolts. (DO NOT TIGHTEN).
- 3.) Place stabilizer bar (B) on the right carrier frame utilizing the long U-bolt (D) to anchor in position. Place lock washers and nuts on U-bolts. (DO NOT TIGHTEN).
- 4.) Position both carrier frames to the left and right width desired, so that the bicycle wheels nest well into the channels.
- 5.) Tighten all nuts until secure.
- 6.) Install end cap.
- 7.) Secure bikes to the stabilizer post (B) with a rope or bungee (not included).
- 8.) **IMPORTANT:** Check all nuts and U-bolts periodically to ensure they are still tight.

Saagman

2 BIKE RV BUMPER RACK

Fits 4 & 4-1/4" Square RV Bumpers

ITEM: 80605
Page 2 of 2

Warnings

For your safety and the safety of others while traveling, the bike(s) **MUST BE** secured with **BUNGEE CORDS OR STRAPS NOT SUPPLIED** with this rack. It is recommended to secure the bike(s) to the safety chain plate holes of a hitch or any other permanent fixture of your vehicle or towed (bumper, tow hook, frame, etc.). Suggested securing materials include trailer towing safety chains, steel cables and other materials of equivalent strength and durability. These materials should be at both ends and loop through the bike(s) to secure them, in the event that the bike(s) become dislodged from the carrier during travel. In the unlikely event that this occurs, by following these instructions, the bike(s) will remain attached to the vehicle or trailer.

Bikes must also be secured to the bike carrier as described in the instructions.

Do not create any downward vertical force on any part of the carrier when securing and tying the bike(s) to the carrier, hitch, bumper or frame. Excessive downward vertical force beyond the carrier's load capacity may cause damage to the carrier, bike(s) and/or vehicle.

This bike carrier is not to be used to carry motorized, tandem (bikes designed to carry two or more people), larger bikes or heavy downhill bikes.

With standard vehicle or RV bumper mounted bike carriers, **DO NOT EXCEED** the vehicles manufacturer's rated bumper capacity. RV bumper mounted bike carriers are intended for use **ONLY ON CONTINUOUS WELDED STEEL TUBULAR BUMPERS. DO NOT INSTALL RV** bumper mounted bike carriers on spot or stitch welded bumpers. **DO NOT INSTALL RV** bumper mounted bike carriers on non-steel bumpers. Personal injury or property damage may result from such misuse.

Make sure the weight of the bikes is evenly distributed over the support members of the bike carrier to prevent an overload of weight to support members.

Tips

It is recommended that the direction of each bike be reversed when resting on the platform.

To avoid scratches and damage to your bike and/or towing vehicle, it is suggested to cover the frame, handlebars, pedals and other protruding members of the bike with soft fabric or other similar protective materials as needed.

