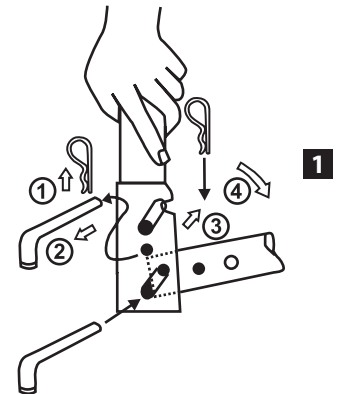
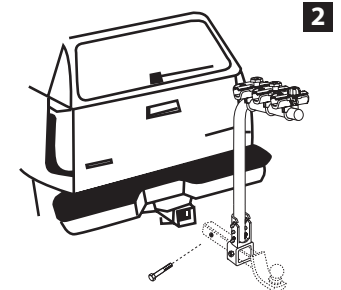


**INSTRUCTIONS:**

1. Insert rack tube into receiver foot and install top and bottom 1/2" pin and clip (diagram 1).
2. Slide your Towing Rack receiver arm onto your receiver hitch\* (diagram 2).
3. Fit rack as close to vehicle as possible.
4. Secure your Towing Rack by tightening 3 set screws.
5. Check to ensure rack is secure.\*\*


**CRADLE INSTRUCTIONS (Diagram 3):**

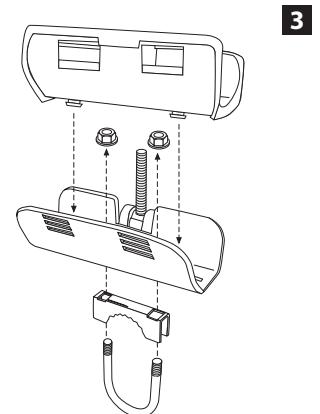
1. Remove the large vinyl from the cradle exposing the nuts on the "C" clamps
2. Remove the nuts and pull off the "C" clamp
3. Push the "C" clamp under the top tube facing upwards; install the tube bracket and then the cradle.  
The cradle must not be located within 1 inch of the end of the tubing.
4. The cradle can be positioned in any location. This will allow you to angle the cradle so that when the bike is installed the tires will be level to the ground.
5. Install the two nuts and tighten equally so the threads have the same amount on the top of each nut.  
Periodically check to insure that they are tight. **NOTE:** If you tighten one nut more than the other the threads will protrude through the vinyl causing damage to the bike frames.
6. Install the bikes and tighten down the top plate. Insure that the spacer on the knob goes into the round slot in the top plate. **NOTE:** Extreme force can be generated by the top plates so don't over tighten the knobs or you could damage the frame.


**IMPORTANT NOTES:**

1. Use a minimum Class III 2" receiver.
2. To prevent the front wheels and handlebars from moving during transport, we recommend a nylon strap or standard bungee cord, routed through the wheel spokes and around the downtube of the bike frame.  
\* Drawbar and tow ball not included. These are available at your local hitch shop.  
\*\* Ask your retailer about locking hitch pins.

**Using the Towing Rack on a boat or travel trailer:**

1. Rack failure through improper mounting will void rack warranty.
2. For a 2" drawbar the minimum length required is 10" long in order to keep bikes a safe distance from the boat, trailer or propane tank. This depends on hitch recess length behind bumper. **WARNING - DRIVER BEWARE.** Ensure all other items near bikes and rack, such as battery, propane tank, etc., do not impede turning of vehicle with bikes and rack attached.
3. Severe risk of crushing bikes between trailer and vehicle if driver engages in too tight a radius turn!  
Bike or racks damaged due to misuse will not be covered by warranty.



**IMPORTANT NOTES**

- This bicycle rack has been designed to carry 1, 2, or 3 bikes.
- This rack is designed for typical use and applications (on paved or smooth gravel roads). Do not use this rack on a vehicle that will be driven on rough roads or where the rack (and bikes) will be subjected to significant or constant jarring and/or shock, or any vehicle with very stiff springs that will transfer the load shocks directly to the rack and the bikes.
- Proper fitting and installation of this carrier to your specific vehicle is critical, and is the owner's sole responsibility.
- Improper use of this product may result in damage to your rack, your vehicle, your bicycles, or even other vehicles driving behind you (as a result of colliding with or trying to avoid fallen bicycles and/or the rack).
- The purchaser should be aware that the load created by a rack and bicycles can exceed the maximum rating on the hitch or bumper.
- Swagman racks are powder coated to help prevent rust. When leaving the rack outside for extended periods of time the finish will lose its luster. It is recommended that the rack is washed periodically to remove road grime, salt, etc. when not in use stored indoors.
- The rack won't carry bikes with oblong frame tubes or unusually large frame sizes.
- Take care to add padding on any area of the bikes that touches another bike or any part of the vehicle. Damage can and will happen (to your bikes and/or to the vehicle) if care is not taken during the loading and transporting of your bikes, and padding used where necessary.
- Bicycle tires should be kept at least 6" away from the exhaust pipes of the vehicle. The high temperature exhaust exiting from the exhaust pipes is hot enough to melt or damage tires. Keep all bike tires totally away from the direct exhaust flow.
- Bikes fitted with large accessories (such as child carrying seat) will greatly increase the wind resistance and therefore the pressure on the rack and all vehicle mounting points. Reducing vehicle speed will reduce the chance of any problems occurring because of this situation.

**Mounting the Bike Rack on a trailer or 5th wheel**

1. Purchaser is advised that the load created by rack and bicycles may exceed the strength of trailer or 5th wheel bumper or other mounting location. Failure through improper mounting will void rack warranty.
2. Fold down racks are NOT covered under warranty if mounted on the back of fifth wheels or trailers.

** WARNING**

1. This bike rack is designed to be used on bike frames that have straight round tubing. It should NOT be used when clamping on irregular shaped tubes that are curved, oblong, rectangular, etc., for instance those commonly seen on cruiser style bikes.
2. Bike frames made out of a composite material or carbon fiber should NEVER be clamped in this style of rack because the Bike Manufacturer may void your warranty.