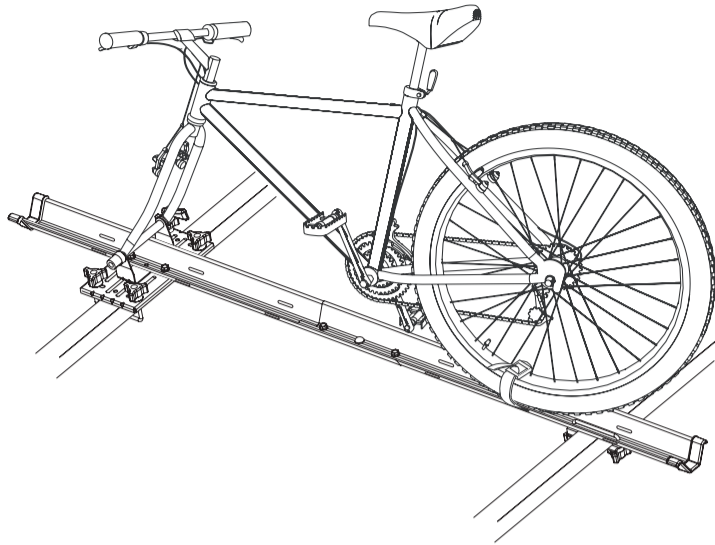


FORK MOUNT Roof Rack

ITEM: 64710



INSTRUCTIONS:

First assemble the wheel tray using the two nuts/bolts/washers provided, see fig.1. Assemble the plastic end protectors and the bike support brackets as in fig.2.

Next attach the bike support arm bracket to your front roof bar using the "U" bolts provided, see fig.2. Then attach the rear bar to the wheel tray using the "U" bolt and bracket shown in fig.2. Remove the front wheel from the bike. Insert the fork blade into the bike support bracket fig.3. With the QR lever in the open position, hand tighten the nut on the opposite side of the lever. Then close the QR lever so that the fork is tight in the bike support bracket fig.3. Move the bike back and forth to insure that the fork is tight in the bracket.

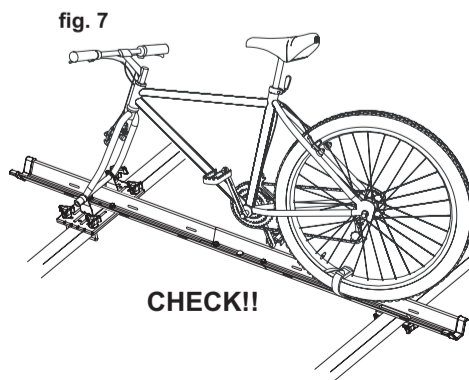
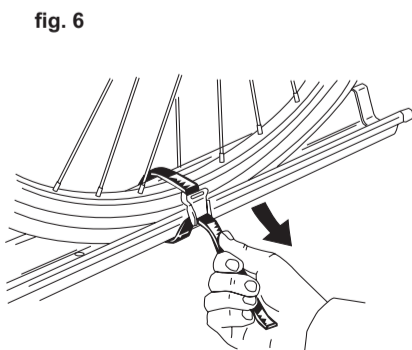
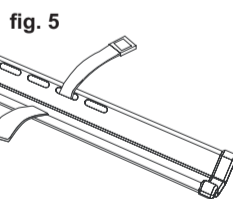
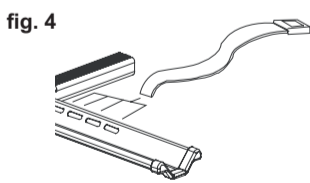
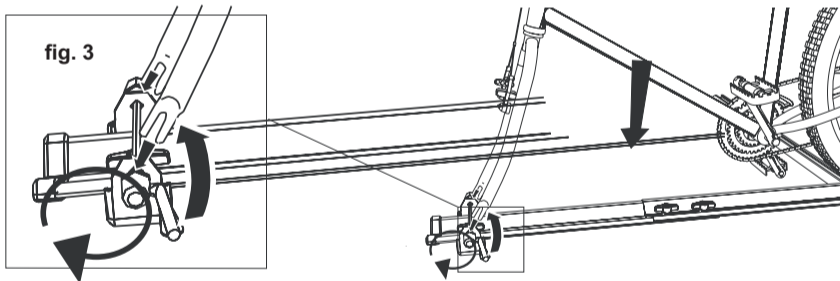
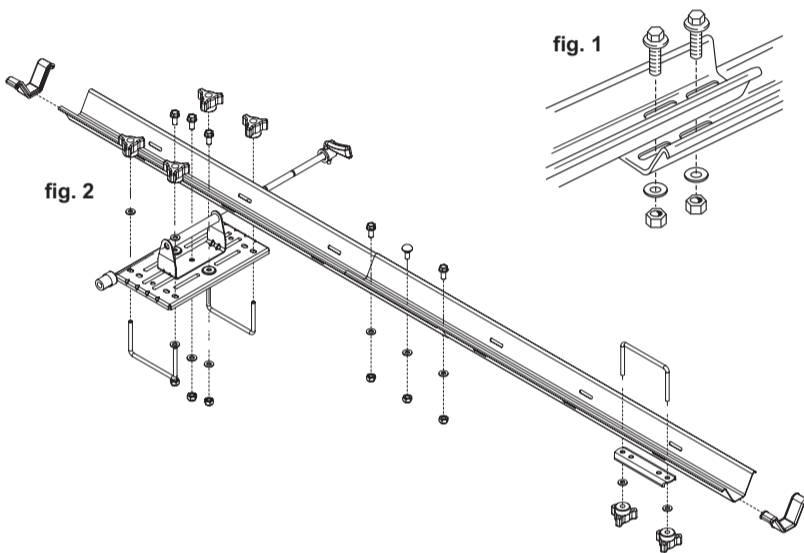
Lastly use the wheel straps provided to place around the wheel and wheel tray and pull tight, see figs.4 - 6. Check to ensure that the bike is properly secured, fig.7.

You should remember some important points when using a bike carrier:

- All nuts and bolts should be checked for tightness after assembly and at regular intervals.
- Check REGULARLY that the knob fixing the clamp to your bike's downtube is tight.
- Remove all accessories from your bike especially child seats, panniers, lights, etc.
- Remember that you are carrying a bike on your roof and your car's handling characteristics will differ, so GO SLOWER than normal, especially in high winds and around bends. Keep your speed below 60mph.
- Do not forget your vehicle will be much higher than normal so be care that you have enough room when entering tunnels, car parks and especially your garage!
- Never exceed the vehicle manufacturers recommended maximum weight limits and ensure that no part of the bike extends outside the vehicles widest point.
- We would suggest you remove the carrier when not in use, as this is safer and saves gas.

Swagman cannot accept responsibility for damage caused by incorrect fitting.

The total weight of this carrier is approx 3 kg (6.6 lbs)



CHECK!!

[View other bike racks made by Swagman on our website.](#)